

USER AND INSTALLER MANUAL

VENMAR AVS

X24 ERV ECM

X24 HRV ECM

X30 ERV ECM

X30 HRV ECM

VENMAR/VÄNEE

X24 ERV ECM-N

X24 HRV ECM-N

X30 ERV ECM-N

X30 HRV ECM-N

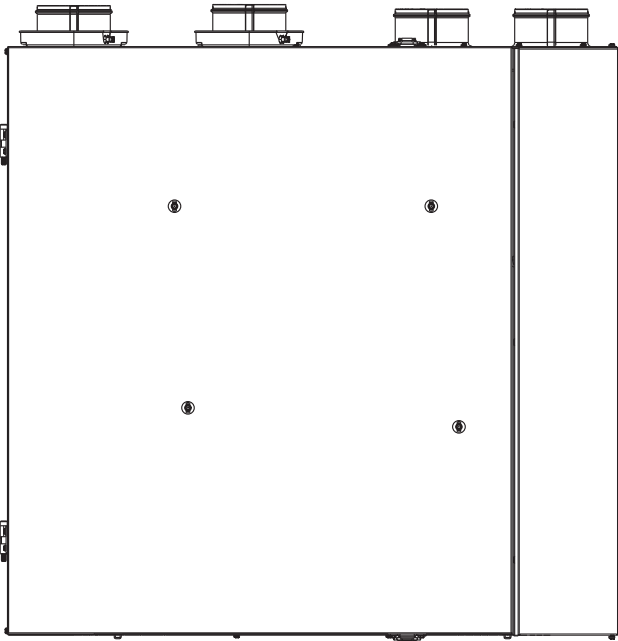
VÄNEE GOLD SERIES

G2400E ECM

G2400H ECM

G3000E ECM

G3000H ECM



VB0185

ABOUT THESE UNITS

1. New information about extended defrost setting, see page 15.
2. The only main wall controls compatible with these units are the X-Touch or Gold-Touch.
3. New balancing procedure, see page 16.
4. The terminal connectors for these units are already mounted to the electronic board.

READ AND SAVE THESE INSTRUCTIONS



These products earned the ENERGY STAR® by meeting strict energy efficiency guidelines set by Natural Resources Canada and the US EPA. They meet ENERGY STAR requirements only when used in Canada.

Please take note that this manual uses the following symbols to emphasize particular information:

⚠WARNING

Identifies an instruction which, if not followed, might cause serious personal injuries including possibility of death.

CAUTION

Denotes an instruction which, if not followed, may severely damage the unit and/or its components.

NOTE: Indicates supplementary information needed to fully complete an instruction.

LIMITATION

For an installation and use in Canada only. Intended for a building on which Part 9 of division B from the effective version of the National Building Code of Canada applies with additional restrictions and exception (see section 4 for more details). Installation work and electrical wiring must be done by a qualified person in accordance with all applicable codes and standards, including fire-rated construction codes and standards.

⚠WARNING

TO REDUCE THE RISK OF FIRE, ELECTRIC SHOCK, OR INJURY TO PERSON(S) OBSERVE THE FOLLOWING:

1. Use this unit only in the manner intended by the manufacturer.
2. Before servicing or cleaning this unit, disconnect the power cord from the electrical outlet.
3. This unit is not designed to provide combustion and/or dilution air for fuel-burning appliances.
4. When cutting or drilling into a wall or ceiling, do not damage electrical wiring and other hidden utilities.
5. Do not use this unit with any solid-state speed control device other than those specified in section 6.
6. This unit must be grounded. The power supply cord has a 3-prong grounding plug for your personal safety. It must be plugged into a mating 3-prong grounding receptacle, grounded in accordance with the national electrical code and local codes and ordinances. Do not remove the ground prong. Do not use an extension cord.
7. Do not install in a cooking area or connect directly to any appliances.
8. Do not use to exhaust hazardous or explosive materials and vapors.
9. When performing installation, servicing or cleaning this unit, it is recommended to wear safety glasses and gloves.
10. When applicable local regulation comprises more restrictive installation and/or certification requirements, the aforementioned requirements prevail on those of this document and the installer agrees to conform to these at his own expense.
11. Due to the weight of the unit, two installers are recommended to perform installation

CAUTION

1. To avoid prematurely clogged filters, turn the unit OFF during construction or renovation.
2. Please read specification label on product for further information and requirements.
3. Be sure to duct air outside – Do not intake/exhaust air into spaces within walls or ceiling or into attics, crawl spaces, or garage. Do not attempt to recover the exhaust air from a dryer or a range hood.
4. Do not run any air ducts directly above or within 2 ft (0.61 m) of a furnace or its supply plenum, boiler, or other heat-producing appliances. If a duct has to be connected to the furnace return plenum, it must be connected 10' (3.1 m) away from plenum's connection to the furnace.
5. The ductwork is intended to be installed in compliance with all applicable local and national codes.
6. When leaving the house for a long period of time (more than two weeks), a responsible person should regularly check if the unit operates adequately.
7. If the ductwork passes through an unconditioned space (e.g.: attic), the unit must operate continuously except when performing maintenance and/or repair. Also, the ambient temperature of the house should never drop below 18°C (65°F).
8. At least once a year, the unit mechanical and electronic parts should be inspected by qualified service personnel.
9. Do not use your unit during construction or renovation of your house or when sanding drywall. Certain types of dust and vapors may damage your ventilation system.
10. During winter, make sure that the outside intake and exhaust hoods are free from any snow. During a big snow storm, check that your unit doesn't draw in any snow. If it does, turn the unit OFF for a few hours.
11. Since the electronic control system of the unit uses a microprocessor, it may not operate correctly because of external noise or very short power failure. If this happens, unplug the unit and wait approximately 10 seconds. Then, plug the unit in again.

TABLE OF CONTENTS

1. USING THIS UNIT	4	6. WALL CONTROLS.....	13
2. USER SERVICING INSTRUCTIONS	4	6.1 Auxiliary wall controls	13
2.1 Seasonal maintenance	4	6.2 Main wall control.....	14
2.2 Annual maintenance	5	7. ELECTRICAL CONNECTION TO	
3. USER'S TROUBLESHOOTING	5	THE FURNACE	14
4. WARRANTY	6	8. RECIRCULATION AND DEFROST	
5. INSTALLATION	8	SETTINGS	15
5.1 Locating the unit.....	8	9. BALANCING THE UNIT	16
5.2 Mounting the unit.....	8	9.1 Before starting	16
5.2.1 Using chains and springs.....	8	9.2 Balancing the unit.....	17
5.2.2 Using the wall brackets	9	10. REPLACEMENT PARTS	21
5.3 Installing the ductwork and the registers	9	11. WIRING DIAGRAM	23
5.3.1 Fully Ducted System.....	9	12. TROUBLESHOOTING.....	24
5.3.2 Exhaust Ducted System - Supply Side.....	10		
5.3.3 Exhaust Ducted System - Return Side.....	10		
5.3.4 Simplified Installation - Return/Supply	10		
5.3.5 Simplified Installation - Return/Return.....	11		
5.4 Connecting the ducts to the unit.....	11		
5.4.1 Insulated flexible ducts	11		
5.4.2 Non-insulated flexible ducts	11		
5.4.3 Non-insulated rigid ducts	11		
5.5 Installing the exterior hoods	12		
5.6 Connecting the drain	12		



PRODUCT REGISTRATION CARD - FICHE D'ENREGISTREMENT DU PRODUIT

IMPORTANT: Please complete and return this questionnaire within 10 days of your purchase to the address below. Note that only the questions on this side of the page are mandatory. Your answers will be used for market research studies and reports, and will help us to better serve you in the future. **IMPORTANT:** Veuillez remplir ce questionnaire et nous le retourner dans les 10 jours suivant votre achat à l'adresse inscrite en bas de la page. Veuillez noter que seules les questions de ce côté-ci de la page sont obligatoires. Vos réponses serviront à des études de marché et nous aideront à mieux vous servir dans l'avenir.

First name - Prénom		Last name - Nom de famille		
<input type="text"/>		<input type="text"/>		
Address - Adresse	Apt. no. - App.	City - Ville	Province	Postal code - Code postal
<input type="text"/>	<input type="text"/>	<input type="text"/>	<input type="text"/>	<input type="text"/>
Country - Pays	E-mail address - Courriel		Language preferred - Langue de correspondance	
<input type="text"/>	<input type="text"/>		<input type="text"/>	
Telephone no. (day) - N° de téléphone (jour)	Telephone no. (evening) - N° de téléphone (soir)		Date of purchase - Date d'achat	
<input type="text"/>	<input type="text"/>		<input type="text"/>	
Model no. - N° de modèle	Serial no. - N° de série			
<input type="text"/>	<input type="text"/>			

1. USING THIS UNIT

CAUTION

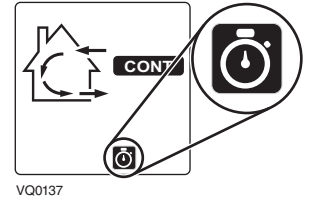
Before using this unit for the first time, please take the time to carefully read page 2 of this guide to ensure it is used safely and properly.

This unit performs a 30-second booting sequence at startup. Your main wall control indicates the progression of the booting sequence in percentage. No command will be taken until the unit is fully booted.

You can control your unit using one main wall control, and up to five optional 20/40/60-minute push-buttons, usually located in bathrooms.

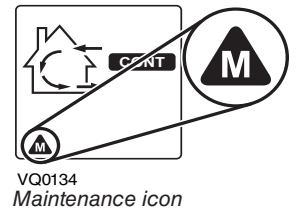
Activation of a 20/40/60-minute push-button overrides the current operation mode of the unit, including defrost cycles, and a timer icon will appear on the main control screen.

For more information on the controls, refer to the *Main and auxiliary wall control User Guide* included with your unit and available on our website.



2. USER SERVICING INSTRUCTIONS

This unit requires seasonal and annual maintenance. Your main wall control includes a maintenance reminder that lights up 4 times a year.



2.1 SEASONAL MAINTENANCE

1. Unplug the unit.
2. Undo both door latches and open the door.
3. Slide out both filters from the top of the recovery core.
4. Wash the filters with a mild soap and lukewarm water, rinse thoroughly and allow to dry completely.
5. Reinstall the filters in the unit.
6. Close the door and plug unit back. The unit will perform a 30-second booting sequence and will resume operating as previously set.
7. Reset the maintenance indicator by holding both the MODE and TURBO keys for 3 seconds.



Would you like to receive occasional informational e-mail offers including product updates and special promotions from us? **Yes/No**

What problem were you trying to solve with your purchase? (Check each one that applies to you.)

- | | |
|--|---|
| <input type="checkbox"/> Bad odors | <input type="checkbox"/> Dust |
| <input type="checkbox"/> Respiratory problems | <input type="checkbox"/> Mildew |
| <input type="checkbox"/> Excess of humidity | <input type="checkbox"/> Allergies |
| <input type="checkbox"/> Temperature standardization | <input type="checkbox"/> No specific problems |
| <input type="checkbox"/> Lack of fresh air | <input type="checkbox"/> Others |

Who installed your unit?

- | | |
|--|--|
| <input type="checkbox"/> Home builder | <input type="checkbox"/> Friend / family |
| <input type="checkbox"/> Recommended installer | <input type="checkbox"/> Contractor |
| | <input type="checkbox"/> Yourself |

Please read the following list of criteria carefully. Indicate the importance of your purchase decision on a scale of 1 (less important) to 5 (most important).

- | | |
|----------------------------------|-------------------------------|
| ___ Price | ___ Heat recovery |
| ___ Warranty | ___ Controls |
| ___ Product design | ___ Ease of cleaning |
| ___ Ventilation capacity | ___ Manufacturer's reputation |
| ___ Filter maintenance indicator | ___ Ease of use |
| ___ Filtration quality | ___ Noise level |
| ___ Recirculation | ___ Other |

Aimeriez-vous recevoir plus de détails sur nos promotions, offres de rabais et mises à jour de nos produits? **Oui/Non**

Quels problèmes essayez-vous de résoudre par cet achat? (Cochez toutes les cases pertinentes)

- | | |
|---|---|
| <input type="checkbox"/> Mauvaises odeurs | <input type="checkbox"/> Poussières |
| <input type="checkbox"/> Problèmes respiratoires | <input type="checkbox"/> Moisissures |
| <input type="checkbox"/> Excès d'humidité | <input type="checkbox"/> Allergies |
| <input type="checkbox"/> Uniformisation de la température | <input type="checkbox"/> Pas de problèmes spécifiques |
| <input type="checkbox"/> Manque d'air frais | <input type="checkbox"/> Autres (Précisez SVP) |

Qui a installé l'appareil?

- | | |
|--|---|
| <input type="checkbox"/> Constructeur de la maison | <input type="checkbox"/> Ami/membre de la famille |
| <input type="checkbox"/> Installateur recommandé | <input type="checkbox"/> Entrepreneur |
| | <input type="checkbox"/> Vous-même |

Veillez lire la liste des critères de sélection ci-dessous. Sur une échelle de 1 (étant le moins important) à 5 (étant le plus important), veuillez indiquer l'importance de chacun d'entre eux dans votre décision d'achat.

- | | |
|--------------------------------------|------------------------------|
| ___ Prix | ___ Récupération d'énergie |
| ___ Garantie | ___ Fonctions |
| ___ Design du produit | ___ Facilité de nettoyage |
| ___ Débit de ventilation | ___ Réputation du fabricant |
| ___ Indicateur d'entretien du filtre | ___ Simplicité d'utilisation |
| ___ Qualité de filtration | ___ Niveau de bruit |
| ___ Recirculation | ___ Autres (Précisez SVP) |
| ___ Récupération de chaleur | |

Are you connected? Please do not hesitate to complete the product registration card via our Web site at www.bnv.ca

Enregistrez-vous en ligne! N'hésitez pas à remplir la fiche d'enregistrement du produit sur notre site Internet au www.bnv.ca

For the User

2.2 ANNUAL MAINTENANCE

1. Perform steps 1 and 2 from seasonal maintenance.
2. Slide both filters and the core out of the unit.
3. Clean the inside of the unit with a clean damp cloth and wipe dry.
4. Wash the filters with a mild soap and lukewarm water, rinse thoroughly and allow to dry completely.
5. Clean the recovery core as follows, according to the type of unit:

X24 HRV ECM	X24 HRV ECM-N	G2400H ECM	X24 ERV ECM	X24 ERV ECM-N	G2400E ECM
X30 HRV ECM	X30 HRV ECM-N	G3000H ECM	X30 ERV ECM	X30 ERV ECM-N	G3000E ECM
Soak the heat recovery core for 3 hours in a solution of lukewarm water and mild soap. Rinse and allow to dry.			CAUTION: DO NOT SOAK THE ENERGY RECOVERY CORE Remove the dust on the core using a vacuum cleaner and a soft brush attachment.		

6. Reinstall the core back into the unit.
7. Reinstall the filters back on the core.
8. Close the unit's door.
9. Clean the exterior hoods.
10. Plug the unit back. The unit will perform a 30-second booting sequence and will resume operating as previously set.
11. Reset the maintenance indicator by holding both the MODE and TURBO keys for 3 seconds.

3. USER'S TROUBLESHOOTING

Before trying any of the following, first try unplugging the unit and plugging it back. If the issue is not solved, refer to the table below.

PROBLEM		TRY THIS
1.	Nothing works.	<ul style="list-style-type: none"> • Make sure that the unit is plugged in. • Make sure that the unit is receiving power from the house circuit breaker or fuse.
2.	An error code starting with E0 (E01, E02, etc.) is displayed on the wall control.	<ul style="list-style-type: none"> • Make sure that the color coded wires have been connected to their appropriate place. • Make sure that the wires are correctly connected. • Press simultaneously and hold for 10 seconds the % HUM, MODE and TURBO keys to reset the wall control. The user preferences will have to be reset.
3.	An error code starting with E2 (E21, E22, etc.) is displayed on the wall control.	<ul style="list-style-type: none"> • Problem with the ventilation unit. Contact your installer.
4.	A 10-second countdown is displayed on the wall control.	<ul style="list-style-type: none"> • Wait for the end of the countdown without pressing any key.
5.	The snowflake icon is flashing on the wall control screen.	<ul style="list-style-type: none"> • The ventilation unit is in Protection mode; it will get out of this mode by itself. • If this situation occurs regularly, or when outdoor temperature is higher than -20°C, contact your installer.
6.	Condensation on windows (air too humid).	<ul style="list-style-type: none"> • Operate the unit on TURBO or CONT mode until the situation is corrected. • Leave curtains half-open to allow air circulation. • Store all firewood in a closed room with a dehumidifier or in a well ventilated room, or store the wood outdoors. • Do not adjust the thermostat of your heating system below 18°C (64°F).
7.	Inside air too dry.	<ul style="list-style-type: none"> • Temporarily use a humidifier. • Operate the unit in 20 min/h mode or in RECIRC. mode.
8.	Air too cold at the air supply grille.	<ul style="list-style-type: none"> • Make sure that the exterior hoods are not blocked. • Operate the unit in 20 min/h mode or in RECIRC. mode. • Install a duct heater.
9.	The main wall control does not work.	<ul style="list-style-type: none"> • The 30-second boot sequence is not completed. See Section 1 on page 4. • A 20/40/60-minute push button auxiliary control is in use. See Section 1 on page 4. • The protection mode overrides the main control operation (snowflake icon). Refer the main and auxiliary controls user guide. .

Contact customer service at 1-800-567-3855 for any unresolved issue.

4. WARRANTY

This unit is a high-quality product, built and packaged with care. The manufacturer warrants to the original purchaser of its product, that such product will be free from defects for the period stated below, from the date of original purchase. For all units, the warranty covers parts only against any operational defect. This is a 5-year warranty. Subject to performing the core maintenance according to the recommendations in this guide, the heat recovery core (HRV) has a limited lifetime warranty, and the energy recovery core (ERV) has a 10-year warranty. If any defect should occur, we urge you to read the user guide carefully. If the problem persists, observe the following rules:

RULES TO FOLLOW

If the unit is defective, contact your ventilation contractor (see address on your user manual cover page). The contractor will determine with you the reason for the defect, and if needed, do the replacement or repair. If ever it is impossible to reach your ventilation contractor, call 1-800-567-3855 (in North America); the personnel will be pleased to give you the phone number of a distributor or a service center near you.

REPLACEMENT PARTS AND REPAIR

In order to ensure your ventilation unit remains in good working condition, you must use the manufacturer's genuine replacement parts only. The manufacturer's genuine replacement parts are specially designed for each unit and are manufactured to comply with all the applicable certification standards and maintain a high standard of safety. Any third party replacement part used may cause serious damage and drastically reduce the performance level of your unit, which will result in premature failing. The manufacturer also recommends contacting a service depot certified by the manufacturer for all replacement parts and repair.

BILL OF PURCHASE

No replacement or repair covered by the warranty will be carried out unless the unit is accompanied by a copy of the original bill of purchase. Please retain your original.

MISCELLANEOUS COSTS

In each case, the labor costs for the removal of a defective part and/or installation of a compliant part will not be covered by the manufacturer.

CONDITIONS AND LIMITATIONS

Intended for a building on which Part 9 of division B from the effective version of the National Building Code of Canada applies with additional restrictions and exception as described below.

Part 9 of Division B application according to the effective version of the National Building Code of Canada:

Part 9 of Division B applies to all buildings falling under the effective version of the Canadian Building Code definitions and conditions as listed below:

All building of 3 storeys or less in building height, having a building area not exceeding 600 m², and used for major occupancies classified as of:*

- Group C¹, residential occupancies,*
- Group D², business and personal services occupancies,*
- Group E³, mercantile occupancies, or*
- Group F, Divisions 2⁴ and 3⁵, medium- and low-hazard industrial occupancies.*

And all major occupancies classified as of:

- Group C¹, residential occupancies exceeding 600 m² in building area or exceeding 3 storeys in building height*

However, Group F buildings are excluded since the H/ERV have only been evaluated for installation in non-hazardous locations as per the applicable Canadian safety standard.

Refer to the table below for some common examples included in each building group.

Group & Division	Major Occupancy	Examples
C	Residential	Single-family houses, Hostels, Multi-family buildings
D	Business and Personal Services	Banks, Offices
E	Mercantile	Department stores, Supermarkets

Refer to note A-3.1.2.1 from the effective version of the National Building Code of Canada for more examples.

**Building size determination consider internal separation and shall be evaluated in accordance with section 1.3.3.4 from the effective version of the National Building Code of Canada.*

For the User

¹**Residential occupancy** means the occupancy or use of a building or part thereof by persons for whom sleeping accommodation is provided but who are not harbored for the purpose of receiving care of treatment and are not involuntarily detained.

²**Business and personal services occupancy** (Group D) means the occupancy or use of a building or part thereof for the transaction of business or the rendering or receiving of professional or personal services.

³**Mercantile occupancy** (Group E) means the occupancy or use of a building or part thereof for displaying or selling of retail goods, wares or merchandise.

⁴**Medium-hazard industrial occupancy** (Group F, Division 2) means an industrial occupancy in which the combustible content is more than 50 kg/m² or 1200 MJ/m² of floor area and no classified as a high-hazard industrial occupancy.

⁵**Low-hazard industrial occupancy** (Group F, Division 3) means an industrial occupancy in which the combustible content is not more than 50 kg/m² or 1200 MJ/m² of floor area.

Exception:

Installation within a single classroom is acceptable provided the unit is installed with an independent ducting system, distinct from the HVAC system, which is limited to that classroom and used to ventilate that classroom only. Additional restrictions from this section remain applicable.

Restrictions:

The H/ERV shall not be installed within or be used to exhaust air from an environment that contains:

- Corrosive gas, vapor, emanations or solvents.*
- Flammable or explosives gas, vapor, emanations, solvents or dusts.*
- High concentrations of perfumes, nail polish or hair treatment products (bleaching, coloring agents, etc) such as from hairdressing or nail salons.*
- High concentration of chemical emanations from solvents, paints or other chemical cleaning agent products.*

The H/ERV shall not be used to exhaust air exceeding 50% RH and 11° dew point over an extended period (more than 24 hours) when outdoor temperature is below -15°C.

The H/ERV shall not be used to exhaust air from an environment that contains high levels of particles concentration unless the exhaust air is pre-filtered with capture efficiency filters selected relative to the particle size distribution before entering the H/ERV.

The H/ERV shall not be used to exhaust air cooking effluents but could be used to provide ventilation for a kitchen in a group C building of 3 storeys or less in building height, having a building area not exceeding 600 m² only. The stale air exhaust register location must comply with the requirement from the building code and the user manual.

Applications involving airborne pathogens or virus, smoke, harmful gas are not recommended. Such application requires extra care to avoid recirculation and internal cross-contamination. Please contact customer service for more information.

The above warranty applies to all cases where the damage is not a result of poor installation, improper use, mistreatment or negligence, acts of God, or any other circumstances beyond the control of the manufacturer. Furthermore, the manufacturer will not be held responsible for any bodily injury or damage to personal property or real estate, whether caused directly or indirectly by the unit. This warranty supersedes all prior warranties.

CAUTION

Before installing this unit, please take the time to carefully read page 2 of this guide to ensure it is installed safely and properly.

5. INSTALLATION

5.1 LOCATING THE UNIT

Choose an **appropriate location** for the unit:

- So as to provide easy access to the interior cabinet for quarterly and annual maintenance. **Plan for a 27-in. clearance** in front of the unit for the door to open. If that is not possible, an 18-in. clearance is acceptable, in which case the door will have to be removed for maintenance to be performed.
- Within a conditioned space with an **ambient temperature kept between 18°C (65°F) and 40°C (104°F) and a maximum relative humidity of 60%**.
- Close to an exterior wall, so as to limit the length of the insulated flexible duct to and from the unit.
- Away from hot chimneys, electrical panel and other fire hazards.
- Allow for a power source (standard outlet) within 6 feet.
- HRV: close to a drain. If no drain is close by, use a pail to collect run-off.

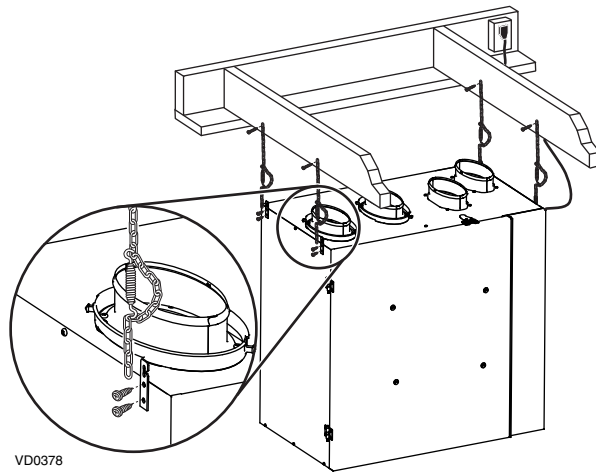
5.2 MOUNTING THE UNIT

CAUTION

Always make sure that the unit is level.

5.2.1 USING CHAINS AND SPRINGS

The unit can be hung using the provided chains and springs:



For the Installer

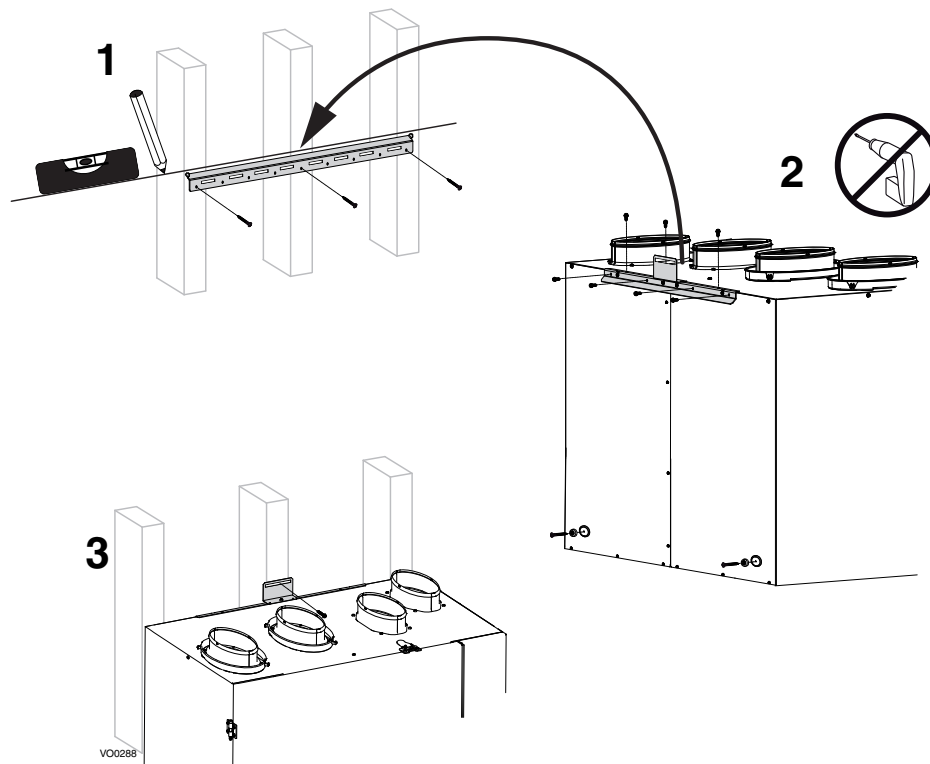
5.2.2 USING THE WALL BRACKETS

1. Trace a level line on the wall, approximately where the top of the unit will be.
2. Using the provided 1.5-in. screws and washers, install the longest of both brackets to the wall making sure to secure it to all of the available studs.

⚠WARNING

The bracket must not be secured to the drywall only.

4. Using the provided 1.5-in. screws, assemble both spacers to the lower corners of the back of the unit.
5. Using the provided 3/8-in. screws, mount the two other brackets to the top back of the unit, as illustrated below. Do not use an electric screw driver.
6. Hang the unit to the bracket on the wall, and secure the smallest bracket to the wall, into a stud if possible.



5.3 INSTALLING THE DUCTWORK AND THE REGISTERS

⚠WARNING

- **Never install a stale air exhaust register in a closed room where a combustion device operates, such as a gas furnace, a gas water heater or a fireplace.**
- **When performing duct connections, always use approved tools and materials. Respect all corresponding laws and safety regulations. Please refer to your local building code.**

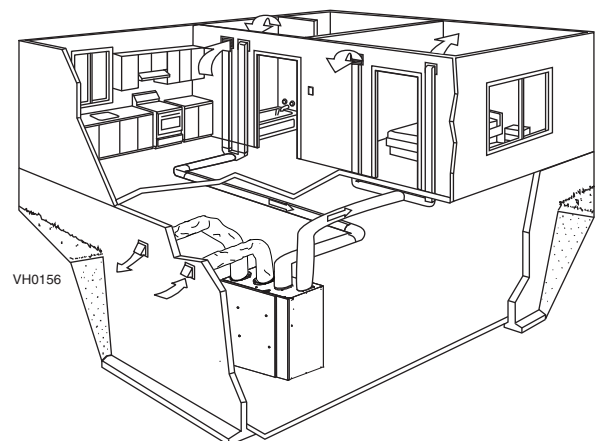
5.3.1 FULLY DUCTED SYSTEM

Stale air from building ductwork:

- Install registers in areas where contaminants are produced: Kitchen, bathrooms, laundry room, etc.
- Install registers on an interior wall, 6 to 12 inches (152 to 305 mm) away from the ceiling OR install them in the ceiling.
- Install the kitchen register at least 4 feet (1.2 m) away from the range.

Fresh air to building ductwork:

- Install registers in bedrooms, dining room, living room and basement.
- Install registers either in the ceiling or high on the walls with the airflow directed towards the ceiling.
- If a register must be installed in the floor, direct the air flow up the wall.



For the Installer

5.3.2 EXHAUST DUCTED SYSTEM - SUPPLY SIDE

CAUTION

When performing duct connections to the furnace supply duct, use metal ducts appropriately sized to support the additional airflow produced by the unit.

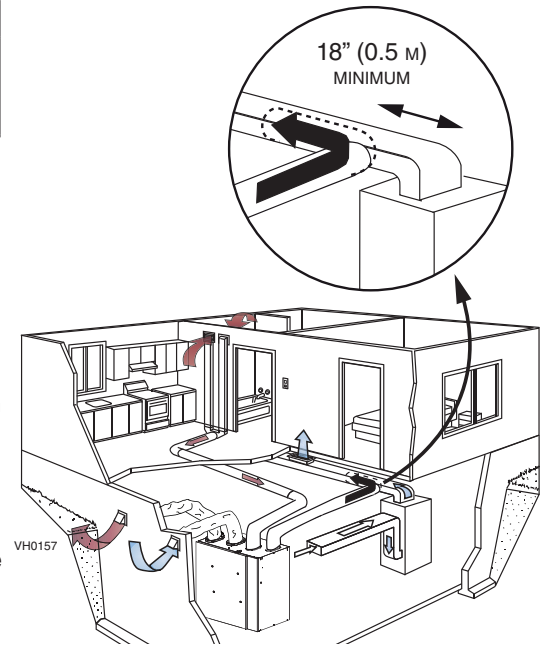
Stale air from building ductwork:

- Install registers in areas where contaminants are produced: Kitchen, bathrooms, laundry room, etc.
- Install registers on an interior wall, 6 to 12 inches (152 to 305 mm) away from the ceiling OR install them in the ceiling.
- Install the kitchen register at least 4 feet (1.2 m) away from the range.

Fresh air to building ductwork:

- Cut an opening into the furnace supply duct at least 18 inches (0.5 m) away from the furnace.
- Connect this opening to the fresh air to building port of the unit (use metal ducts, see illustration at right).
- Make sure that the unit duct forms an elbow inside the furnace ductwork.

NOTE : For this type of installation, it is recommended, however, not essential, that the furnace blower be synchronized with the unit.



5.3.3 EXHAUST DUCTED SYSTEM - RETURN SIDE

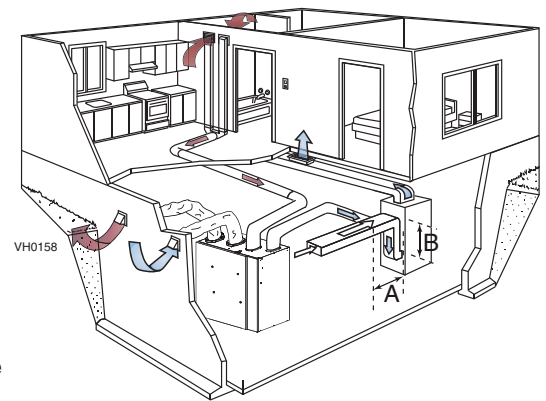
Stale air from building ductwork:

- Install registers in areas where contaminants are produced: Kitchen, bathrooms, laundry room, etc.
- Install registers on an interior wall, 6 to 12 inches (152 to 305 mm) away from the ceiling OR install them in the ceiling.
- Install the kitchen register at least 4 feet (1.2 m) away from the range.

Fresh air to building ductwork:

- Cut an opening into the furnace return duct at least 10 feet (3.1 m) away from the furnace (A+B).
- Connect this opening to the fresh air to building port of the unit (see illustration at right) using metal ducting.

NOTE : For this type of installation, it is recommended, however, not essential, that the furnace blower be synchronized with the unit.



5.3.4 SIMPLIFIED INSTALLATION - RETURN/SUPPLY

Stale air from building ductwork:

- Cut an opening into the furnace return duct at least 10 feet (3.1 m) (A + B) away from the furnace.
- Connect this opening to the stale air from building port of the unit (as illustrated).

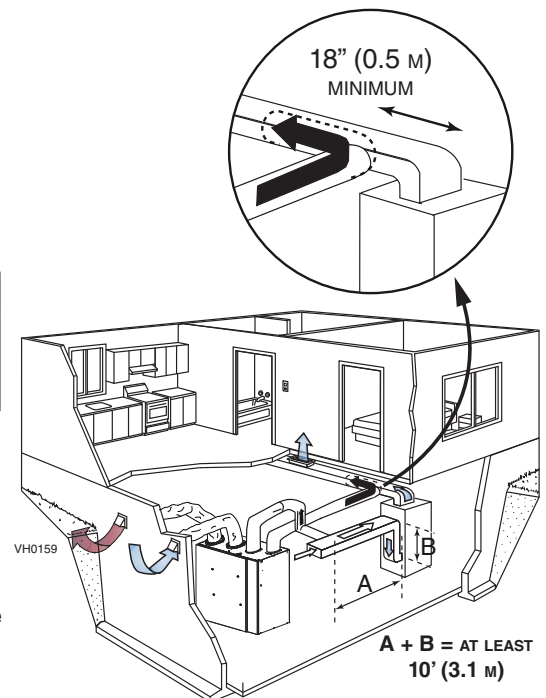
Fresh air to building ductwork:

CAUTION

When performing duct connections to the furnace supply duct, use metal ducts appropriately sized to support the additional airflow produced by the unit.

- Cut an opening into the furnace supply duct at least 18 inches (0.5 m) away from the furnace.
- Connect this opening to the fresh air to building port of the unit (use metal ducts, see illustration at right).
- Make sure that the unit duct forms an elbow inside the furnace ductwork.

NOTE : For this type of installation, it is recommended, however, not essential, that the furnace blower be synchronized with the unit.



For the Installer

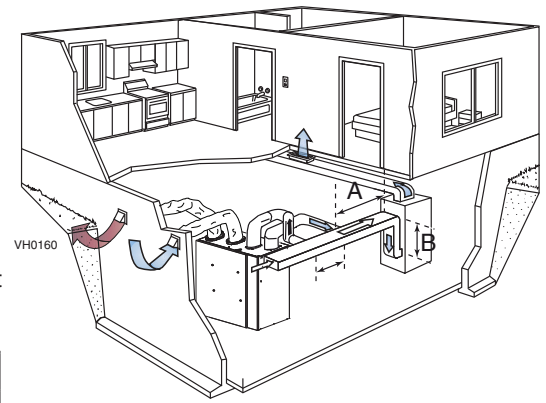
5.3.5 SIMPLIFIED INSTALLATION - RETURN/RETURN

Fresh air to building ductwork:

- Cut an opening into the furnace return duct at least 10 feet (3 m) away from the furnace.
- Connect this opening to the fresh air to building port of the unit (use metal ducts, see illustration at right).

Stale air from building ductwork:

- Cut an opening into the furnace return at least 3 feet (1 m) ahead of the fresh air to building ductwork connection to the furnace return.
- Connect this opening to the stale air from building port of the unit.
- Make sure that both connections to the furnace return duct are at least 3 feet (1 m) apart.



CAUTION

For this type of installation, the furnace must always be synchronized with the unit. See section 7.

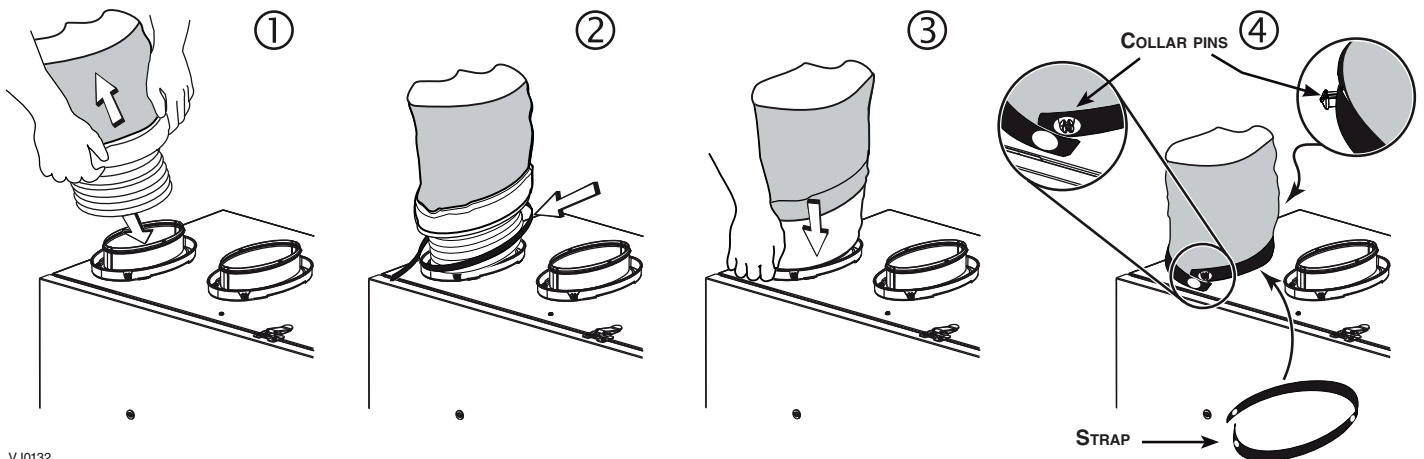
5.4 CONNECTING THE DUCTS TO THE UNIT

CAUTION

- If ducts have to go through an unconditioned space (e.g.: attic), always use insulated ducts.
- Make sure the vapor barrier on the insulated ducts does not tear during installation to avoid condensation within the ducts.
- Always use insulated ducts to connect the Fresh air from outdoors and Stale air to outdoors ports with the exterior hood(s).

5.4.1 INSULATED FLEXIBLE DUCTS

1. Pull back the insulation to expose the flexible duct.
2. Attach the flexible duct to the port using tie wrap.
3. Pull the insulation over the joint and tuck in between the inner and outer rings of the double collar.
4. Pull down the vapor barrier (shaded part in illustrations below) over the outer ring to cover it completely. Fasten in place the vapor barrier using the port strap (included in unit parts bag). To do so, insert one collar pin through the vapor barrier and first strap hole, then insert the other collar pin through the vapor barrier and center strap hole and close the loop by inserting the first collar pin in the last strap hole.



5.4.2 NON-INSULATED FLEXIBLE DUCTS

Use tie wraps to perform connections, then seal with duct tape.

5.4.3 NON-INSULATED RIGID DUCTS

To avoid transmission of vibrations, always use a 6-inch section of flexible duct to connect rigid ducts to the unit. Use tie wraps to perform connections, then seal with duct tape.

For the Installer

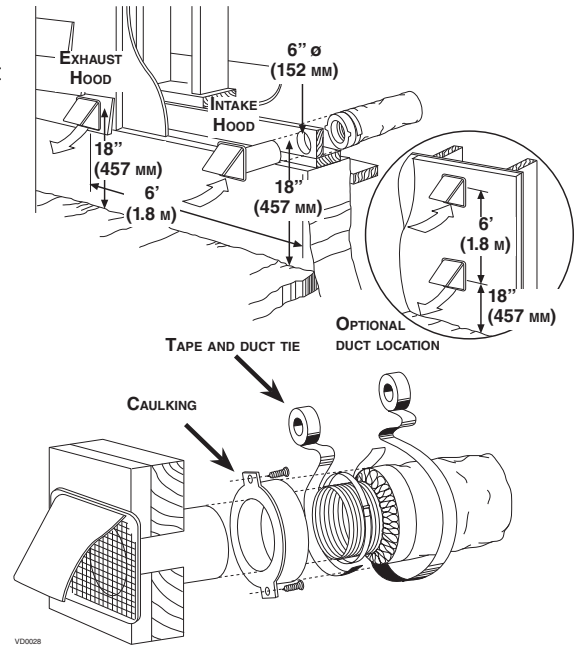
5.5 INSTALLING THE EXTERIOR HOODS

Refer to illustration at right to connect the insulated duct to the hoods. An “Anti-Gust Intake Hood” should be installed in regions where a lot of snow is expected to fall.

⚠ WARNING

Make sure that both hoods are at least 18 inches above the ground and that the intake hood is at least 6 feet (1.8 m) away from any of the following:

- Exhaust hood
- Dryer exhaust, high efficiency furnace vent, central vacuum vent
- Gas meter exhaust, gas barbecue-grill
- Any exhaust from a combustion source
- Garbage bin and any other source of contamination

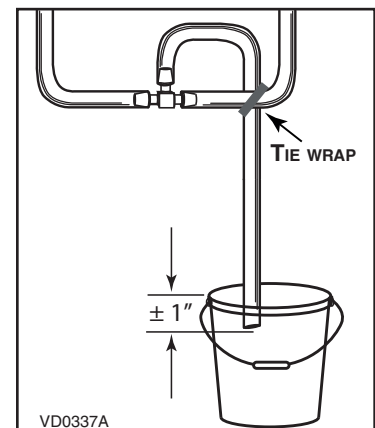
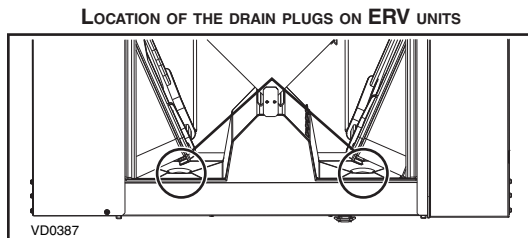
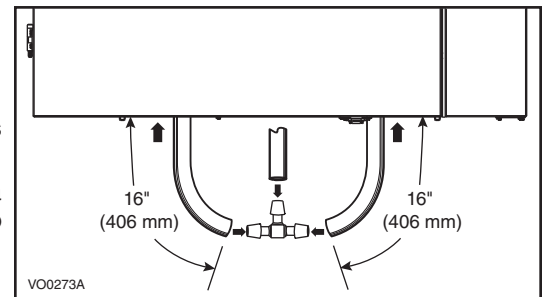


5.6 CONNECTING THE DRAIN

CAUTION

A drain tubing (included) must be installed for all HRV units. It is not required for ERV units, however, it is recommended in climates where the outdoor temperature can remain below -25°C (-13°F) over a 24-hour period for several days in a row, combined with an indoor humidity of 40% or higher.

1. Cut 2 sections of plastic tubing of at least 16” each.
2. Connect each one of them to the drain fittings located under the unit.
If installing a drain on an **ERV unit**, remove both drain plugs inside the unit before installing the tubing.
3. Join their other ends to the «T» junction and remaining tubing as illustrated. This will prevent the unit from drawing unpleasant odors from the drain source.
4. Run the tube to the floor drain or to an alternative drain pipe or pail. If using a pail to collect water, locate the tube end approximately 1” into the pail in order to prevent water from being drawn back into the unit.



6. WALL CONTROLS

⚠ WARNING

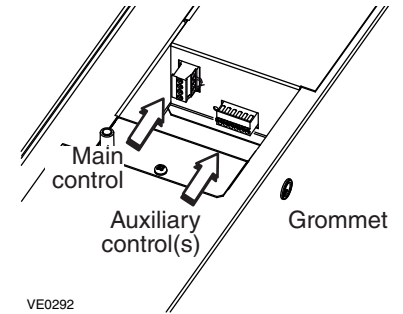
Always disconnect the unit before making any connections. Failure to disconnect power could result in electric shock or damage to the wall control or electronic module inside the unit.

CAUTION

Failure to comply with the following can cause erratic operation of the unit and/or the wall control: Never install more than one main wall control per unit. Make sure that the wires do not short-circuit between themselves or by touching any other components on the wall control. Avoid poor wiring connections. To reduce electrical interference (noise) potential, do not run wall control wiring next to control contactors or near light dimming circuits, electrical motors, dwelling/building power or lighting wiring, or power distribution panel.

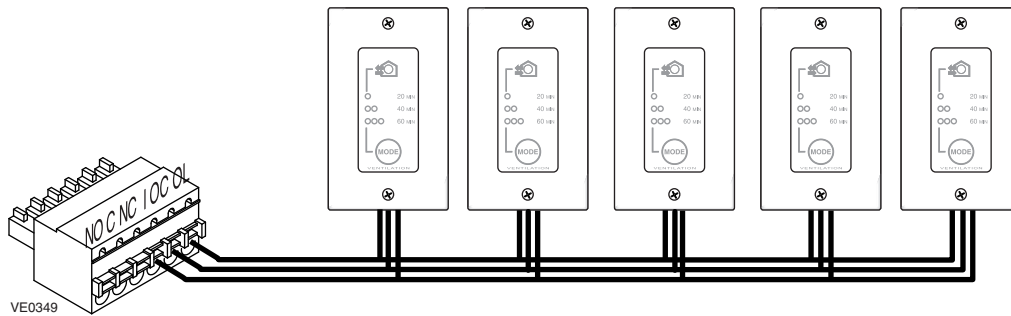
The terminal blocks needed to connect the wall controls are already installed on the electronic board. To access them, open the unit's side panel and remove the terminal blocks from the electronic board.

Run the wall control wires through the grommet before connecting them to the terminal blocks.



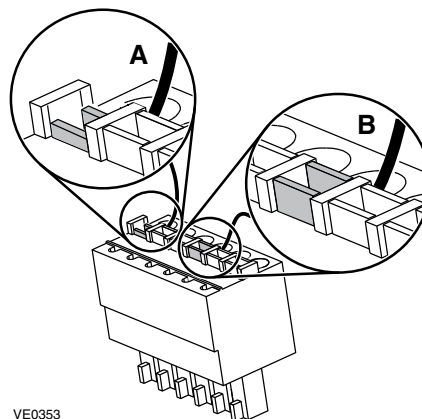
6.1 AUXILIARY WALL CONTROLS

Up to 5 20/40/60-minute auxiliary wall controls can be installed with this unit.



Proceed as follows to connect the auxiliary wall control cable(s) to the 6-position terminal block:

1. Strip the end of the cable.
2. Strip 1/4" off the end of 3 of the wires.
3. Insert the wires in their corresponding holes. A wire is correctly inserted when its orange receptacle is lower than another one without wire. On illustration below, wire **A** is correctly inserted, but wire **B** is not.



4. Reinstall the terminal block on the electronic board.
5. Refer to the controls' installation sheet for information on how to operate them.

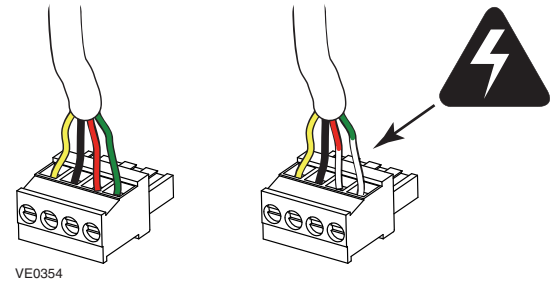
For the Installer

6.2 MAIN WALL CONTROL

The only main wall controls compatible with these units are the **X-Touch** and **Gold-Touch**. Only one main wall control can be installed for each unit.

Proceed as follows to connect the main wall control cable to the 4-position terminal block:

1. Strip the end of the cable.
2. Strip 1/4" off the end of the 4 wires. Do not strip longer than required.
3. Using a small flat blade screwdriver, connect each wire to its corresponding terminal by referring to the labels on the unit (YELLOW to Y; BLACK to B; RED to R; GREEN to G).
4. Reinstall the terminal block on the electronic board.
5. Refer to the controls' installation sheet for information on how to operate it.



7. ELECTRICAL CONNECTION TO THE FURNACE

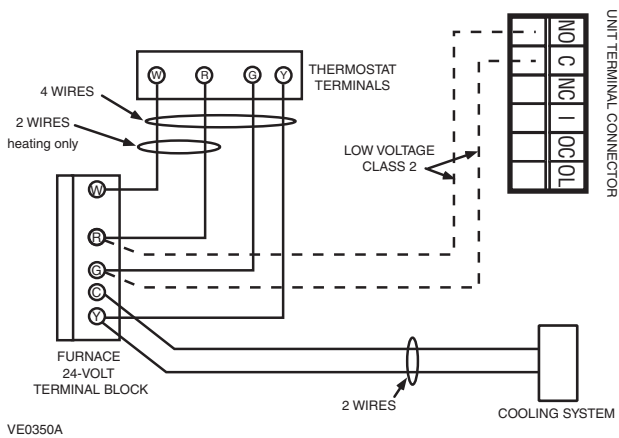
⚠ WARNING

Never connect a 120-volt AC circuit to the terminals of the furnace interlock (standard wiring). Only use the low voltage class 2 circuit of the furnace blower control.

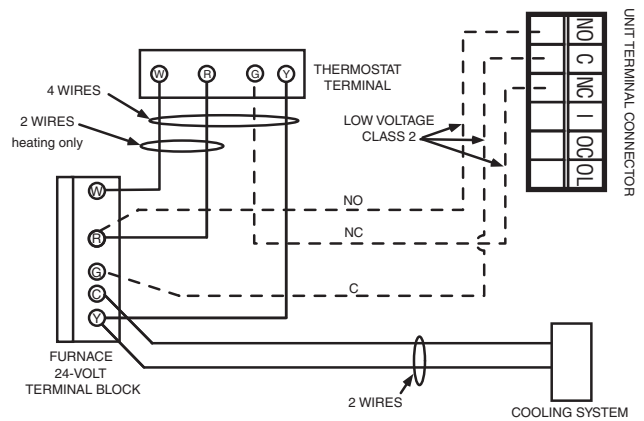
For a furnace connected to a cooling system:

On some older thermostats, energizing the "R" and "G" terminals at the furnace has the effect of energizing "Y" at the thermostat and thereby turning on the cooling system. If you identify this type of thermostat, you must use the ALTERNATE FURNACE INTERLOCK WIRING.

STANDARD FURNACE INTERLOCK WIRING



ALTERNATE FURNACE INTERLOCK WIRING



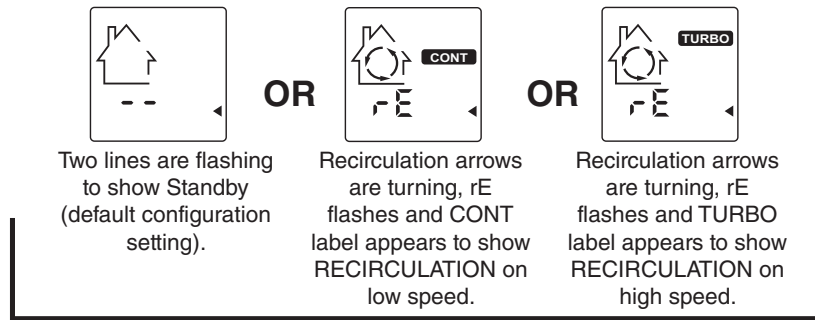
8. RECIRCULATION AND DEFROST SETTINGS

CAUTION

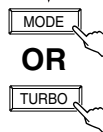
Set extended defrost on all units located in climates where the outdoor temperature typically remains below -25°C (-13°F) (i.e. Winnipeg, Regina, Quebec, Edmonton, Yellowknife, Whitehorse, Labrador City) over a 24-hour period for several days in a row, combined with an indoor humidity of 40% or higher.

Press and hold the **MODE** key for 3 seconds.

The LCD screen will show one of these configurations:

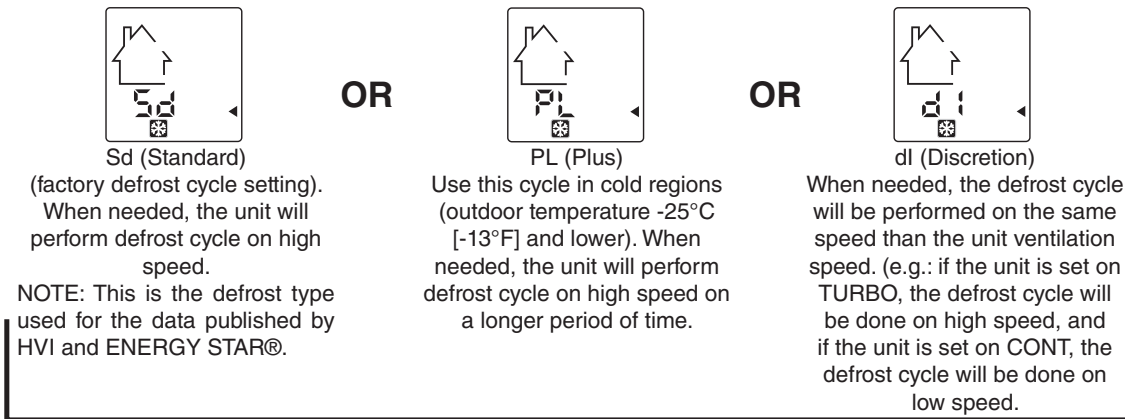


Use **MODE** or **TURBO** key to see all 3 configurations.

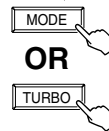


Press **% HUM** key to accept chosen configuration and go to setting defrost cycle type.

The LCD screen will show one of these defrost cycle types:



Use **MODE** or **TURBO** key to see all 3 defrost cycle type.



Press **% HUM** key to accept chosen defrost cycle type and go to software version display



LCD screen alternates between the house with circled arrows and the house without arrow. The numbers under the house are the software version number.

Press **% HUM** key OR wait 10 seconds to exit user setting menu.

9. BALANCING THE UNIT

9.1 BEFORE STARTING

What you need to balance the Unit:

- One X-Touch / Gold-Touch main wall control close to the unit.
- A magnehelic gauge capable of measuring 0 to 1 inch of water (0 to 250 Pa) and 2 plastic tubes.
- The balancing chart and preset speeds table of the unit; affixed on the unit, behind the small control panel.

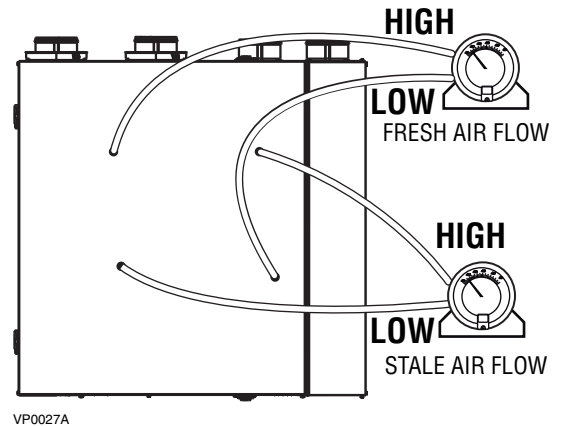
Before balancing the unit:

- Seal all the unit ductwork with tape. Close all windows and doors.
- Turn off all exhaust devices such as range hood, dryer and bathroom fans.
- Make sure all filters are clean (if it is not the first time the unit is balanced).

NOTE: Make sure that the furnace/air handler blower is ON if the installation is in any way connected to the ductwork of the cold air return. If not, leave furnace/air handler blower OFF.

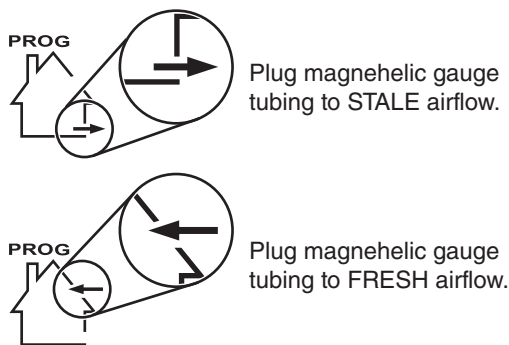
Installing the magnehelic gauge:

1. Place the magnehelic gauge on a level surface and adjust it to zero.
2. According to the airflow to be measured, connect tubing from gauge to STALE air flow or FRESH air flow pressure taps (see illustration at right).
3. Be sure to connect the tubes to their appropriate *high/low* fittings. If the gauge drops below zero, reverse the tubing connections.



Balancing Chart and Preset Speeds Table

Use the balancing chart on the unit to convert pressure (in. w.g.) values read by the magnehelic gauge to airflow (CFM) values. While balancing, the X-Touch/Gold-Touch wall control screen shows which pressure taps have to be used. Keep in mind that a difference between flows up to ± 10 cfm is acceptable. See example below.



UNIT BALANCING CHART

FLOW	FRESH	STALE
CFM	IN. W.G.	IN. W.G.
120	0.71	0.73
125	0.67	0.70
130	0.63	0.67
135	0.59	0.64
140	0.55	0.61
145	0.51	0.58
150	0.47	0.55

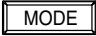

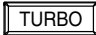
STALE reading value with its corresponding CFM

FRESH reading value with its corresponding CFM

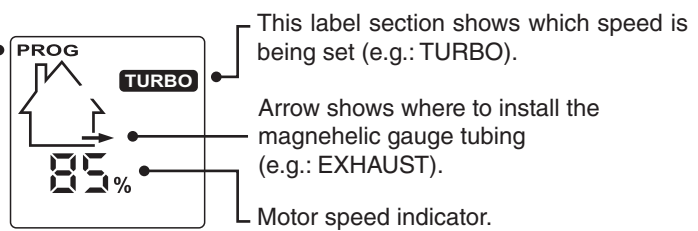
9.2 BALANCING THE UNIT

- 1 Connect an X-Touch/Gold-Touch main wall control to the unit. The control has to be close to the unit.

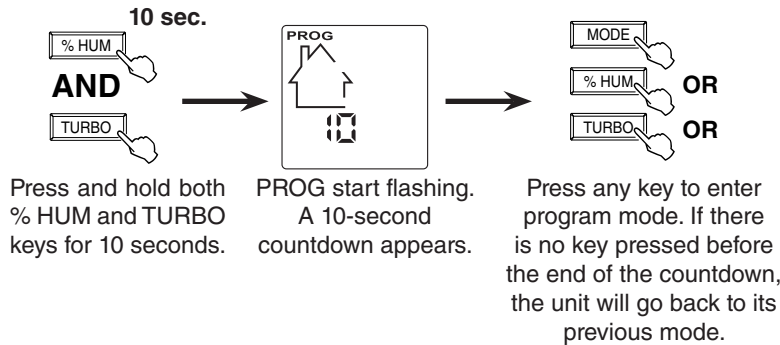
GENERAL INFORMATION ABOUT X-TOUCH/GOLD-TOUCH WALL CONTROL USAGE IN UNIT BALANCING PROCEDURE

-  Press on MODE key to raise the value.
-  Press on % HUM key to accept.
-  Press on TURBO key to lower the value.

PROG flashes on screen as long as you are in Program Mode Setting menus (preset speeds or custom speeds). It disappears from screen when all settings are done or when there is no change after 60 seconds.

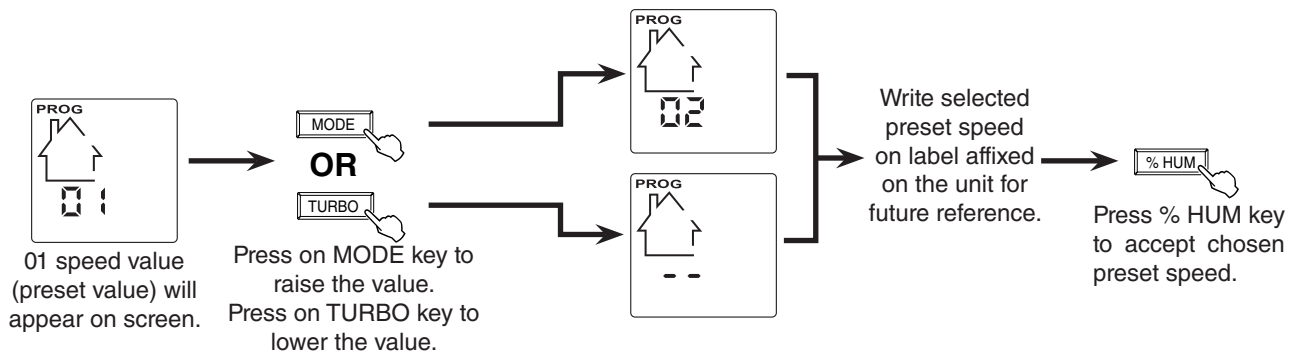


- 2 Enter Program Mode.



- Choose between two options:
- 01, 02, etc.: Preset speeds (balance the unit only, faster option)
 - _ _ : Custom speeds (adjust TURBO speed and balance the unit, then set CONT, 20/40/60 min. control and RECIRC speeds).

- 3 Select the Preset speeds or Custom speeds.



NOTE: From 01 value, pressing on TURBO key will access to custom speed settings (see page 19).

- 4 Connect the magnehelic tubings to the unit (see 9.1).

For the Installer

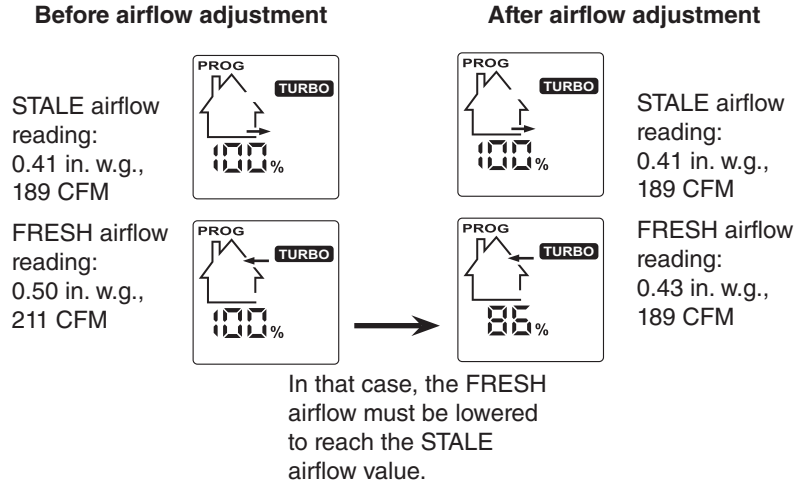
- ⑤ If the unit speed is set close to its highest speed, we recommend to first measure and note both airflows.
- ⑥ Refer to the unit balancing chart to find the corresponding CFMs.
- ⑦ Determine which airflow should be adjusted (the higher airflow must be lowered to equalize the lower one). See example below.

Pressure in. w.g.	Fresh CFM	Stale CFM
0.31	152	155
0.32	156	159
0.33	159	162
0.34	162	166
0.35	165	169
0.36	168	172
0.37	171	176
0.38	174	179
0.39	177	183
0.40	180	186
0.41	183	189
0.42	186	193
0.43	189	196
0.44	193	200
0.45	196	203
0.46	199	206
0.47	202	210
0.48	205	213
0.49	208	217
0.50	211	220
0.51	214	223
0.52	217	227
0.53	220	230
0.54	223	234
0.55	226	237

STALE reading value with its corresponding CFM

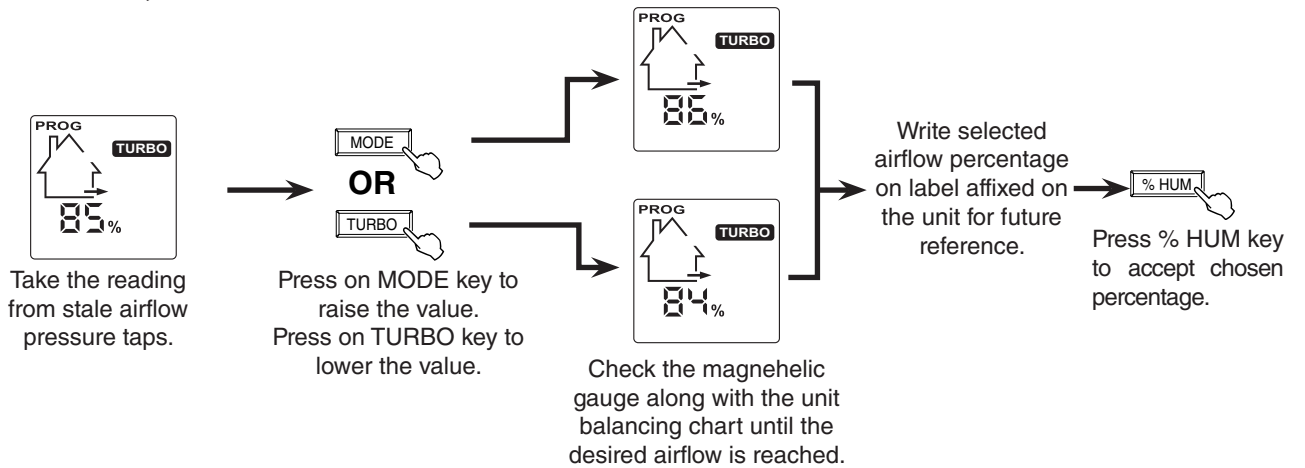
FRESH reading value with its corresponding CFM

NOTE: At first airflow readings, for speed value 01, both stale and fresh airflow values displayed on control screen are 100%.



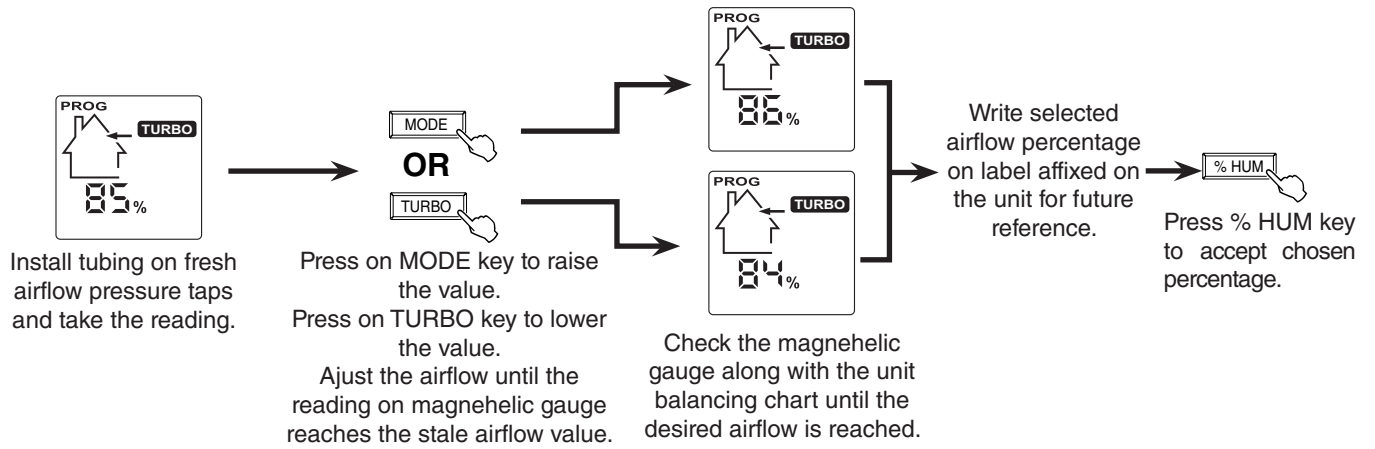
- ⑧ Adjust stale air TURBO speed (or press % HUM key to keep it as is).

NOTE: The following shown values are example. The real values vary according to the preset speed chosen, the unit installation, etc.



For the Installer

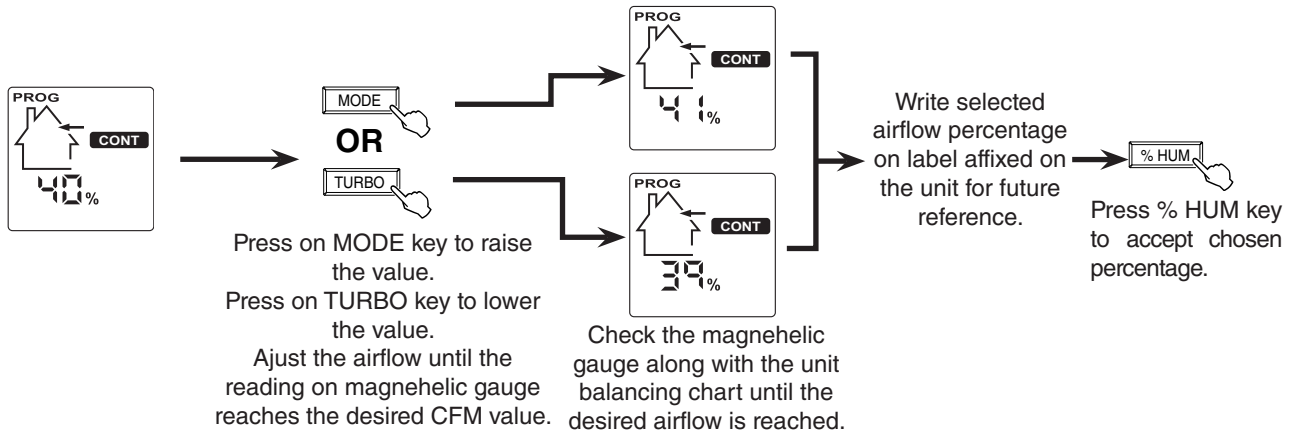
⑨ Adjust fresh air TURBO speed (or press % HUM key to keep it as is).



If you have selected the preset speed balancing at ②, the balancing procedure is completed.

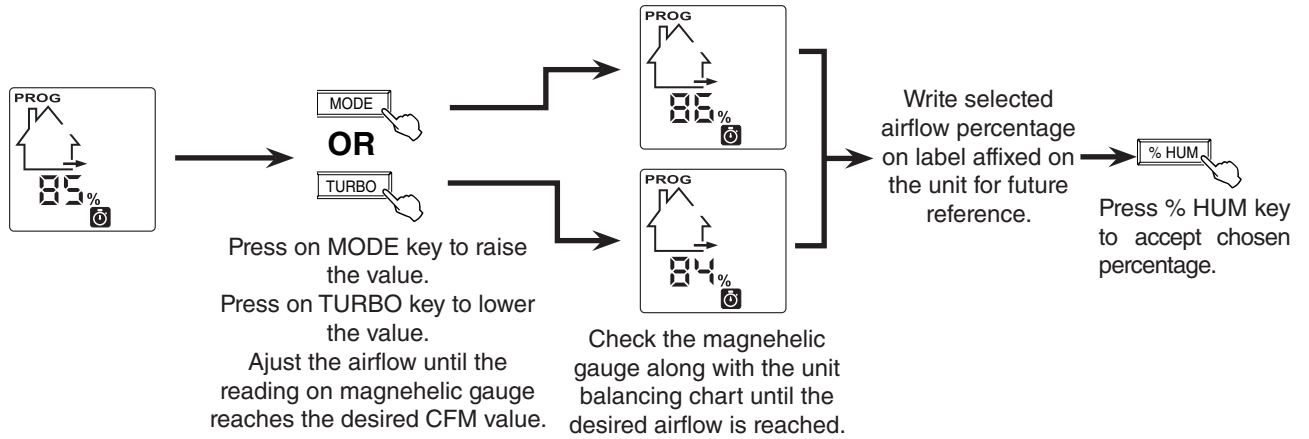
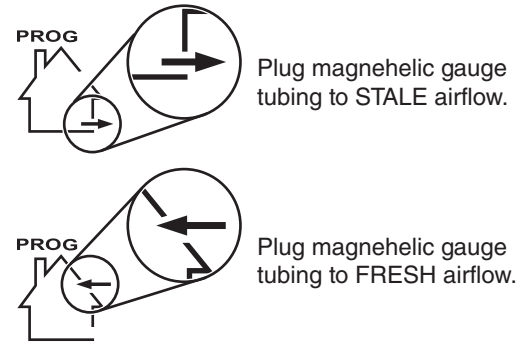
If you have selected the custom speed balancing, continue with the following:

⑩ Set CONT speed.

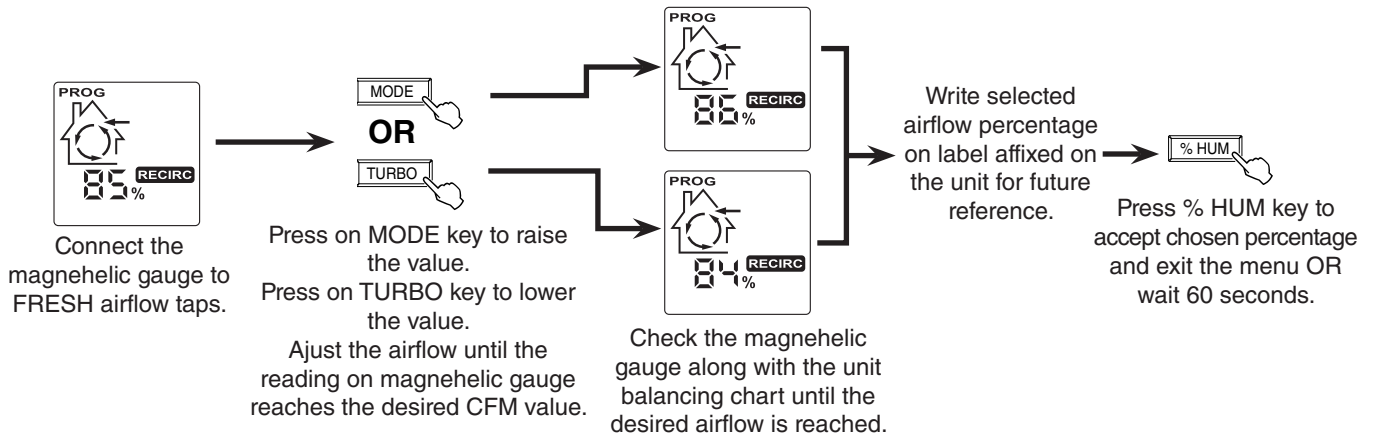


⑪ Set 20/40/60-minute control speed.

NOTE: According to the installation, the magnehelic gauge tubing can be connected to exhaust OR supply air flow. The arrow on screen will show which airflow will have to be set.



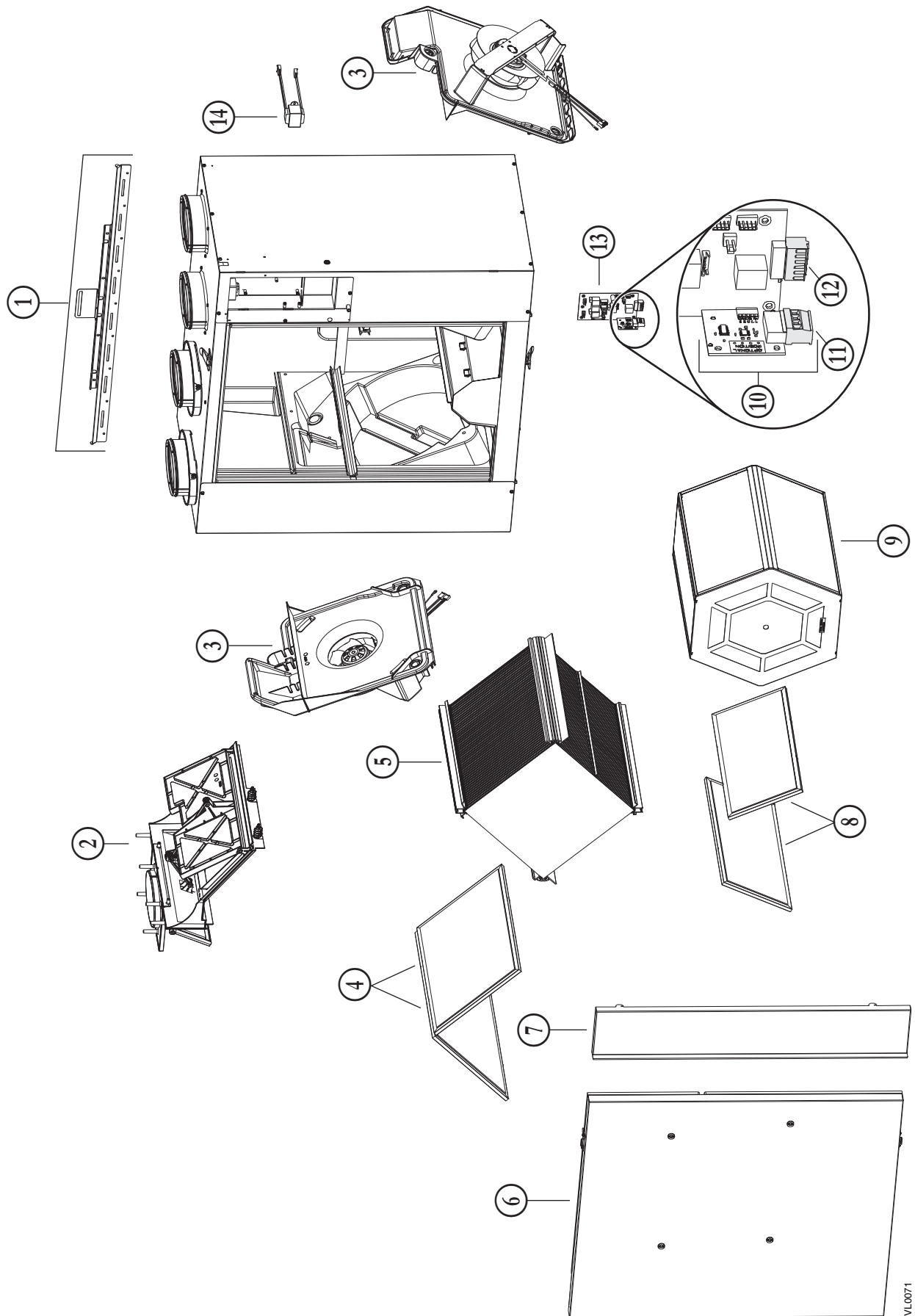
⑫ Set RECIRC speed.



The balancing procedure is completed.

The adjusted airflow values are stored in the unit. If needed, any X-Touch/Gold-Touch main control can be used to adjust the unit speeds and balance the unit again. If a power failure occurs, the unit will keep these setting values in memory. To change the setting values, go to step ⑥ and follow the procedure, the new values will replace the previous ones.

10. REPLACEMENT PARTS



VL0071

No.	DESCRIPTION	QTY.	X24 ERV ECM	X24 HRV ECM	X30 ERV ECM	X30 HRV ECM	X24 ERV ECM-N	X24 HRV ECM-N	X30 ERV ECM-N	X30 HRV ECM-N	G2400E ECM	G2400H ECM	G3000E ECM	G3000H ECM
1	BRACKET KIT	1	63419	63419	63419	63419	63419	63419	63419	63419	63419	63419	63419	63419
2	DAMPER SYSTEM ASSEMBLY (INCLUDING 2 PLASTIC SCREWS)	1	63420	63420	63420	63420	63420	63420	63420	63420	63420	63420	63420	63420
3	BLOWER ASSEMBLY (INCLUDING 3 PLASTIC SCREWS)	2	63421	63421	63421	63421	63421	63421	63421	63421	63421	63421	63421	63421
4	HRV CORE FILTER (PAIR)	1	63426	63426	63426	63426	63426	63426	63426	63426	63426	63426	63426	63426
	ERV CORE FILTER (PAIR)	1			63433				63433				63433	
5	HEAT RECOVERY CORE	1	63422	63422	63422	63422	63422	63422	63422	63422	63422	63422	63422	63422
	ENERGY RECOVERY CORE	1			63425				63425				63425	
6	DOOR ASSEMBLY (INCLUDING NO. 16)	1	63429	63429	63429	63429	63429	63429	63429	63429	63428	63428	63428	63428
7	RIGHT PANEL	1	63432	62495	62498	62499	63432	62495	62498	62499	63430	62500	62502	62504
8	ERV CORE FILTER (PAIR)	1	63427				63427				63427			
9	ENERGY RECOVERY CORE	1	63424				63424				63424			
10	DAUGHTER BOARD (INCLUDING INO. 11)	1	63437	63437	63437	63437	63437	63437	63437	63437	63437	63437	63437	63437
11	PCB CONNECTOR (MAIN CONTROL)	1	63434	63434	63434	63434	63434	63434	63434	63434	63434	63434	63434	63434
12	PCB CONNECTOR (AUXILIARY CONTROL)	1	63435	63435	63435	63435	63435	63435	63435	63435	63435	63435	63435	63435
13	PCB (INCLUDING NOS. 10 & 12)	1	63436	63441	63442	63443	SV64392	SV64393	SV64394	SV64395	63436	63441	63442	63443
14	TRANSFORMER	1	63438	63438	63438	63438	63438	63438	63438	63438	63438	63438	63438	63438
*	WARM SIDE THERMISTOR KIT	1	62481	62481	62481	62481	62481	62481	62481	62481	62481	62481	62481	62481
*	DOOR MAGNETIC SWITCH	1	19060	19060	19060	19060	19060	19060	19060	19060	19060	19060	19060	19060
*	PLASTIC SCREW (SET OF 6)	1	63439	63439	63439	63439	63439	63439	63439	63439	63439	63439	63439	63439
*	HARDWARE KIT	1	22488	22488	22488	22488	22488	22488	22488	22488	22488	22488	22488	22488

* Not shown.

REPLACEMENT PARTS AND REPAIR

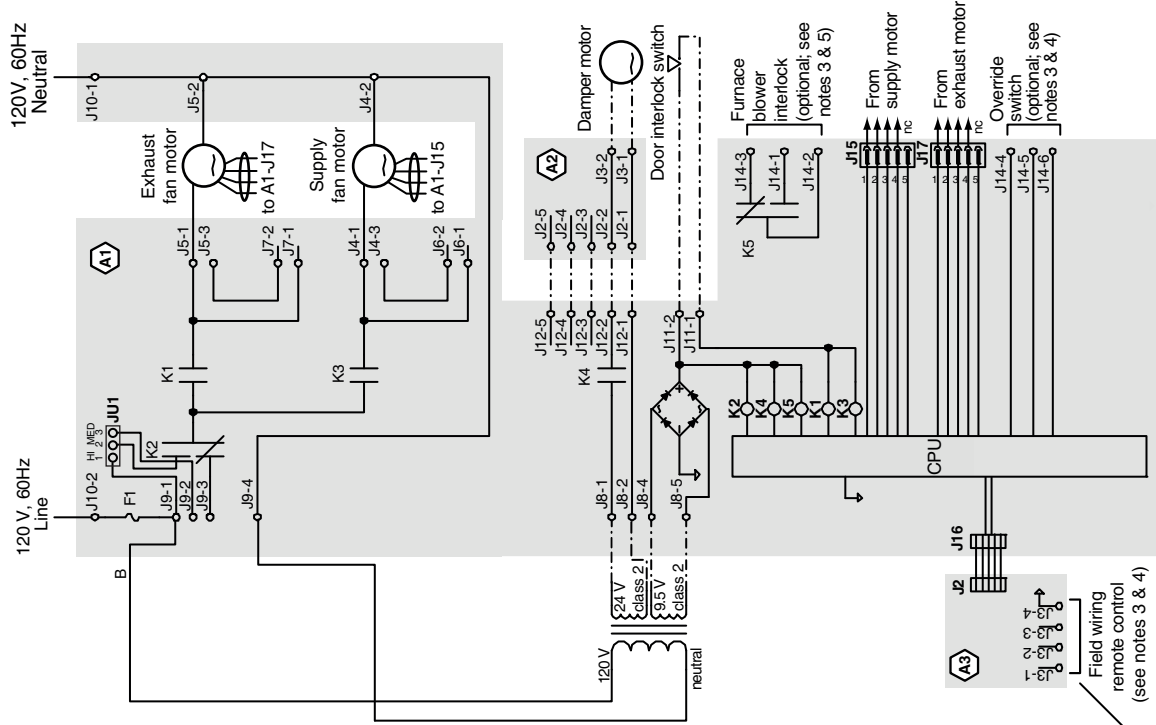
In order to ensure your ventilation unit remains in good working condition, you must use the manufacturer genuine replacement parts only. The manufacturer genuine replacement parts are specially designed for each unit and are manufactured to comply with all the applicable certification standards and maintain a high standard of safety. Any third party replacement part used may cause serious damage and drastically reduce the performance level of your unit, which will result in premature failing. The manufacturer recommends to contact a certified service depot for all replacement parts and repairs.

11. WIRING DIAGRAM

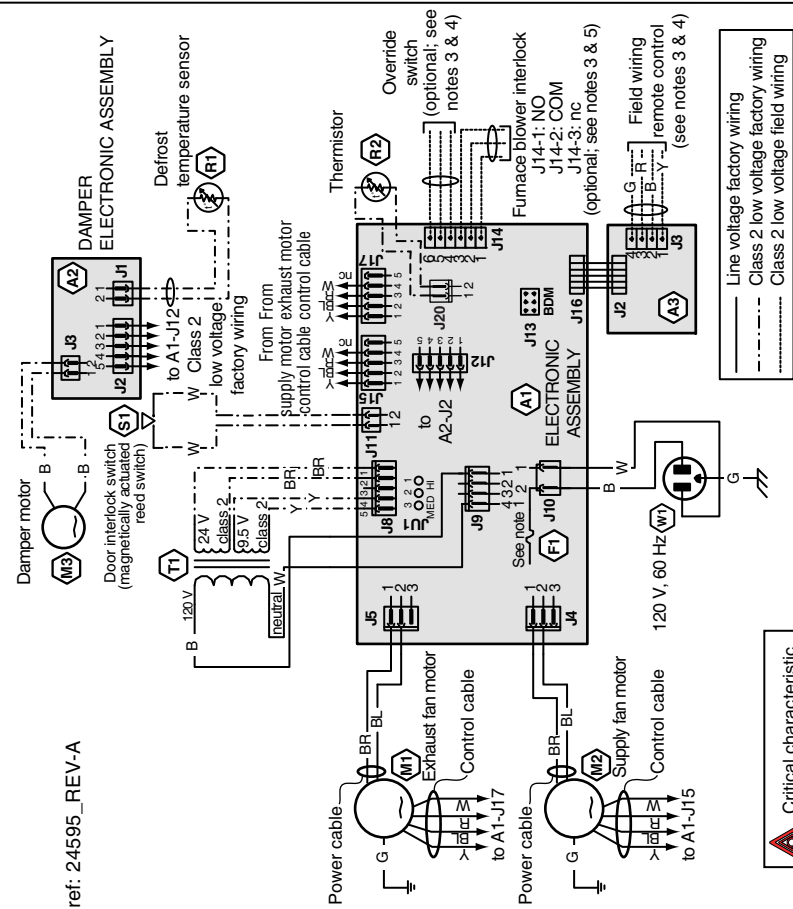
⚠ WARNING

- Risk of electric shocks. Before performing any maintenance or servicing, always disconnect the unit from its power source.
- This product is equipped with an overload protection (fuse). A blown fuse indicates an overload or a short-circuit situation. If the fuse blows, unplug the product from the outlet. Discontinue using the unit and contact technical support.

LOGIC DIAGRAM



WIRING DIAGRAM



COLOR CODE

B	BLACK
BL	BLUE
BR	BROWN
G	GREEN
R	RED
W	WHITE
Y	YELLOW
nc	no connection

- NOTES**
1. Protected against fire with UL listed/GSA Certified line fuse (3A, 3AG Type).
 2. If any of the original wire, as supplied, must be replaced, use the same equivalent wire.
 3. Field wiring must comply with applicable codes, ordinances and regulations.
 4. Remote controls (class 2 circuit) available, see instruction manual.
 5. Furnace fan circuit must be class 2 circuit only.

⚠ Critical characteristic.

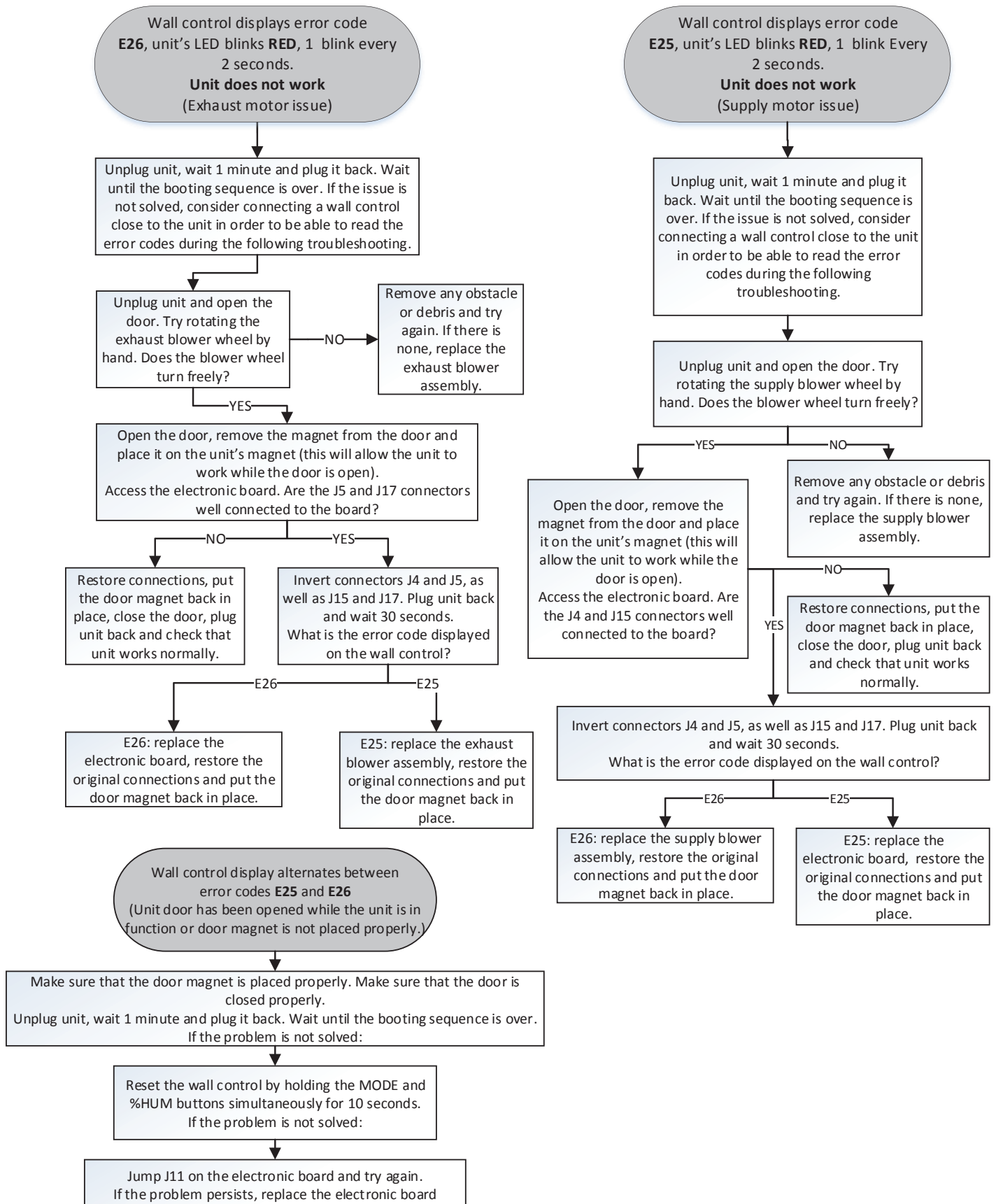
- Line voltage factory wiring
- - - Class 2 low voltage factory wiring
- ⋯ Class 2 low voltage field wiring

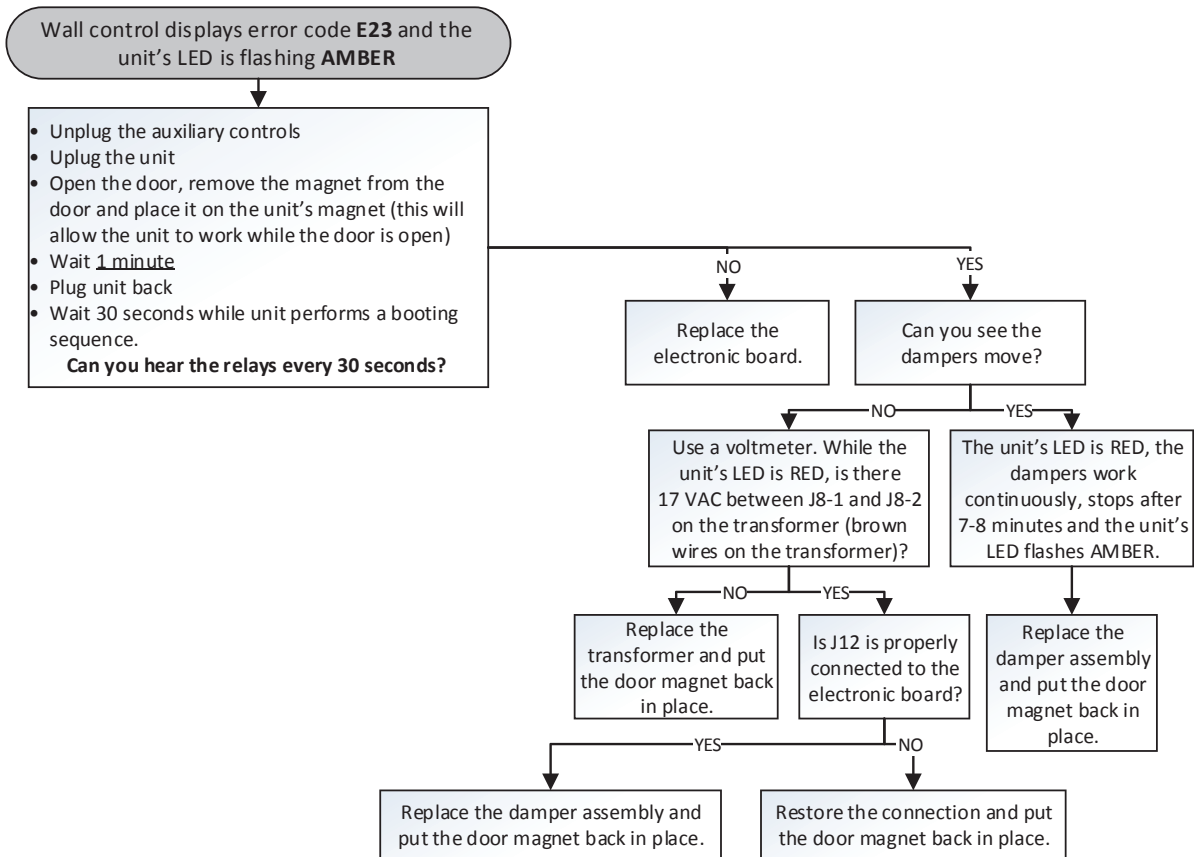
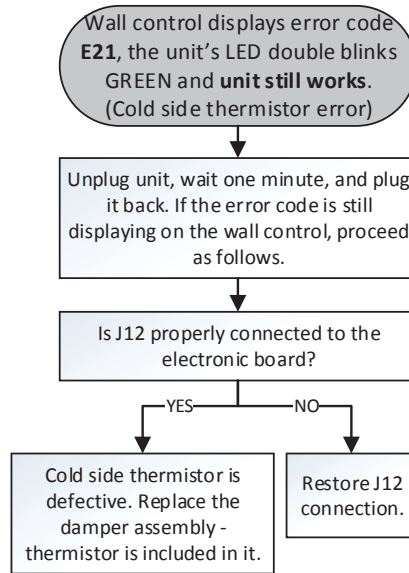
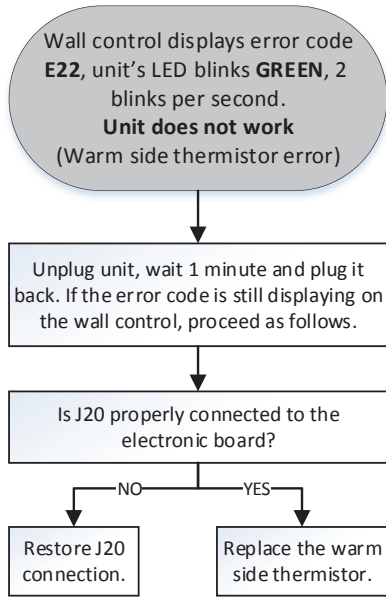
ref: 24595_REV-A

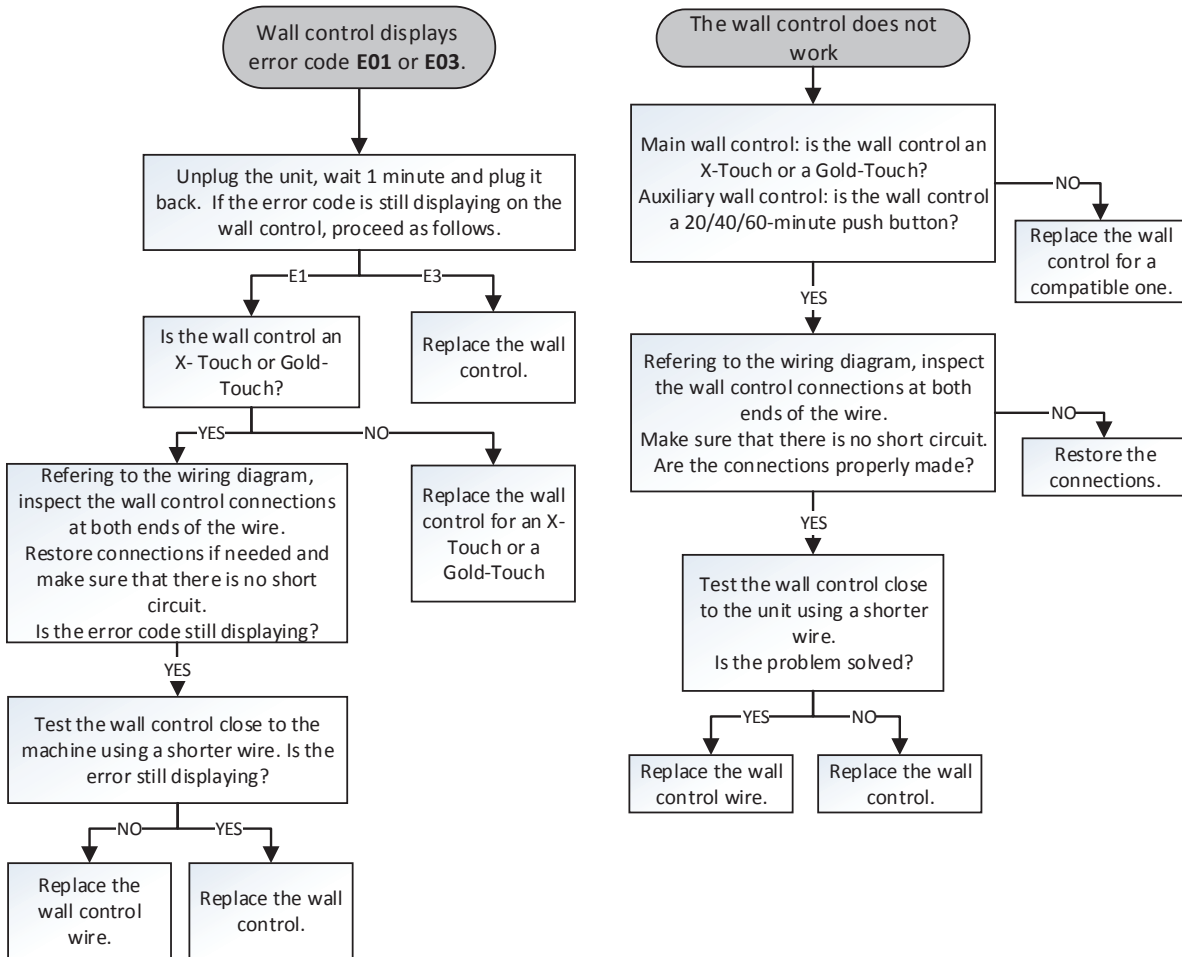
12. TROUBLESHOOTING

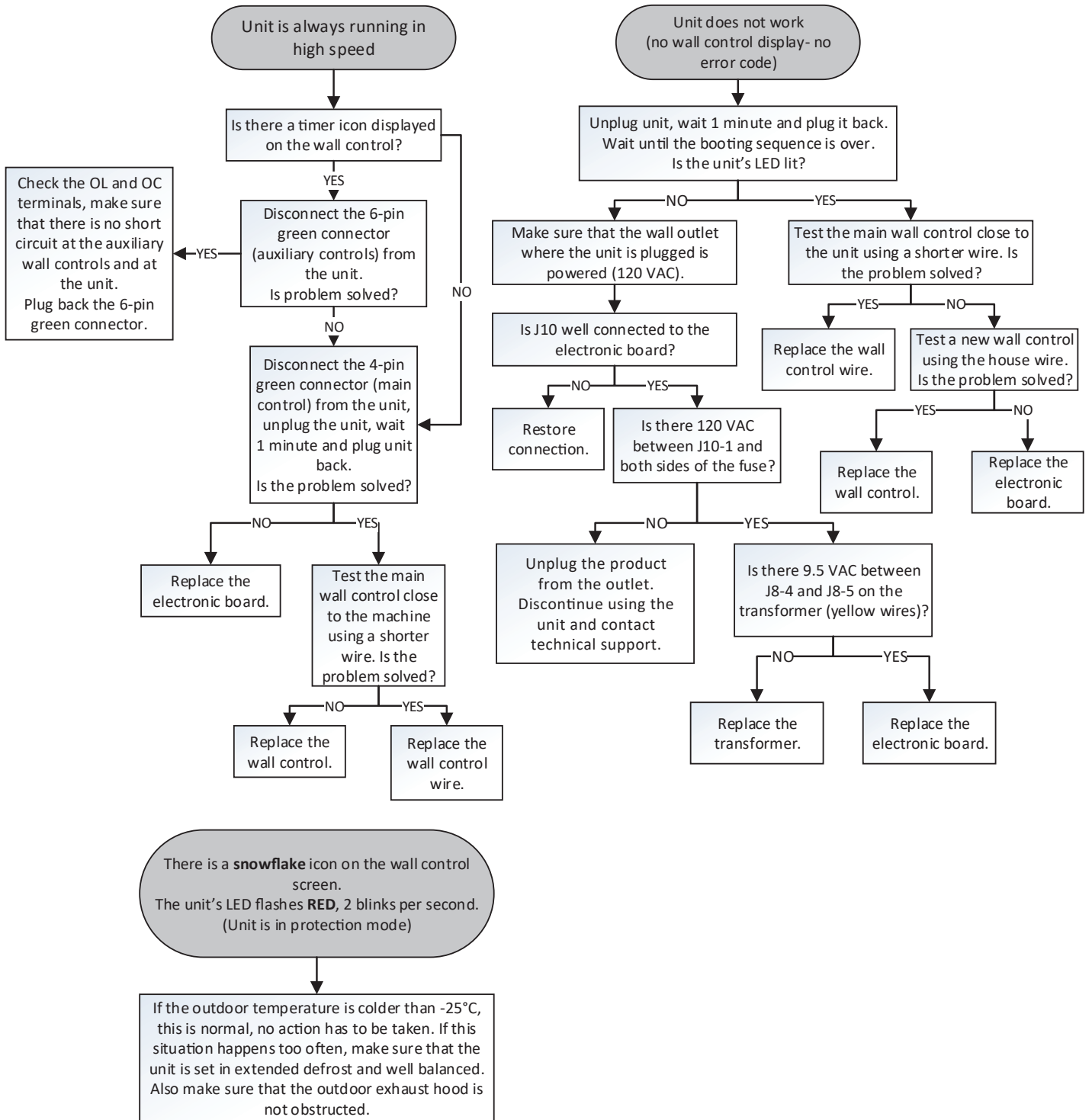
⚠ WARNING

Risk of electric shocks. Electronic board connections must be checked by qualified personnel only.









GUIDE D'INSTALLATION ET D'UTILISATION

VENMAR AVS

X24 ERV ECM

X24 HRV ECM

X30 ERV ECM

X30 HRV ECM

VENMAR/VÄNEE

X24 ERV ECM-N

X24 HRV ECM-N

X30 ERV ECM-N

X30 HRV ECM-N

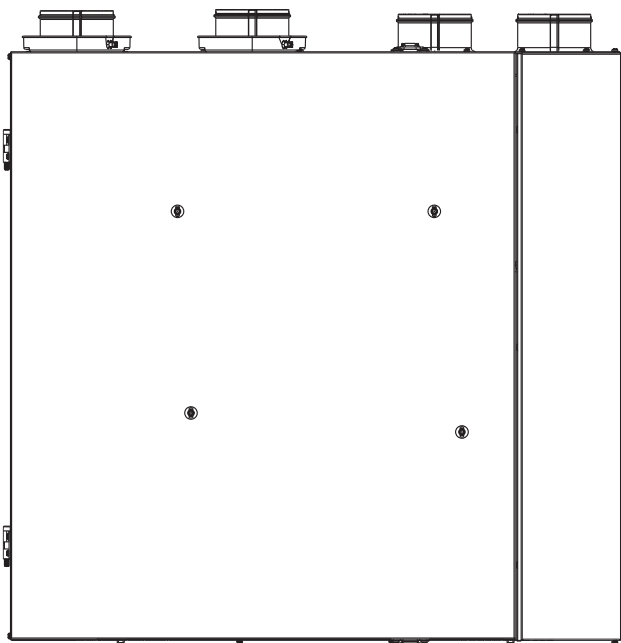
VÄNEE Gold

G2400E ECM

G2400H ECM

G3000E ECM

G3000H ECM



À PROPOS DE CES APPAREILS

1. Nouveautés à propos du dégivrage prolongé à la page 15.
2. Les seules commandes principales compatibles avec ces appareils sont les X-Touch et Gold-Touch.
3. Nouvelle procédure d'équilibrage à la page 16.
4. Les borniers de connexion pour ces appareils se trouvent sur la carte électronique.

VEUILLEZ LIRE ET CONSERVER CES DIRECTIVES



Ces présents produits sont homologués ENERGY STAR® parce qu'ils respectent des exigences rigoureuses en matière d'efficacité énergétique établies par Ressources naturelles Canada et la EPA des États-Unis. Ils répondent aux exigences ENERGY STAR seulement lorsqu'ils sont utilisés au Canada.

Veillez noter que dans ce guide, les symboles suivants sont utilisés afin d'accentuer certaines informations particulières :

⚠ AVERTISSEMENT

Identifie une directive qui, si elle n'est pas suivie, peut causer de graves blessures corporelles ou la mort.

ATTENTION

Identifie une directive qui, si elle n'est pas suivie, peut gravement endommager l'appareil ou ses pièces.

NOTE : Indique une information supplémentaire afin de réaliser complètement une directive.

LIMITATION

Pour une installation et une utilisation au Canada seulement. Vise un bâtiment pour lequel la partie 9 de la division B de la version en vigueur du Code national du bâtiment du Canada s'applique avec des restrictions et exception additionnelles (se référer à la section 4 pour obtenir plus de détails). Les travaux d'installation et de raccordement électrique doivent être effectués par du personnel qualifié, conformément aux codes et aux standards de construction, incluant ceux concernant la protection contre les incendies.

⚠ AVERTISSEMENT

AFIN DE DIMINUER LES RISQUES D'INCENDIE, D'ÉLECTROCUTION OU DE BLESSURES CORPORELLES, SUIVEZ LES DIRECTIVES SUIVANTES :

1. N'utiliser cet appareil que de la façon prévue par le fabricant.
2. Débrancher le cordon d'alimentation de l'appareil avant d'effectuer l'entretien ou la réparation.
3. Cet appareil n'est pas conçu pour fournir l'air nécessaire à la combustion et/ou à la dilution pour les appareils à combustion.
4. Lorsque vous coupez ou percez un mur ou un plafond, ne pas endommager les fils électriques ou autres installations qui pourraient y être dissimulés.
5. Ne pas utiliser cet appareil avec une commande de vitesse à semi-conducteur autre que celles mentionnées à la section 6.
6. Cet appareil doit être mis à la terre. Pour votre propre protection, le cordon d'alimentation est muni d'une fiche à 3 broches. Cette fiche doit être branchée à une prise à trois trous avec une mise à la terre, conformément au code national d'électricité ainsi qu'aux codes et règlements locaux. Ne pas enlever la broche pour la mise à la terre. Ne pas utiliser de rallonge électrique.
7. Ne pas installer dans une aire de cuisson ou brancher directement à un appareil ménager.
8. Ne pas utiliser pour évacuer des vapeurs ou des produits dangereux ou explosifs.
9. Il est recommandé de porter des lunettes et des gants de sécurité lors de l'installation, de l'entretien ou de la réparation de ces appareils.
10. Lorsqu'une réglementation est en vigueur localement et qu'elle comporte des exigences d'installation et/ou de certification plus restrictives que les présentes, lesdites exigences prévalent sur celles de ce document et l'installateur entend s'y conformer à ses frais.
11. En raison du poids de cet appareil, il est recommandé que l'installation soit effectuée par deux personnes.

ATTENTION

1. Afin d'éviter l'encrassement prématuré des filtres, arrêter l'appareil lors de travaux de construction ou de rénovation.
2. Pour plus de renseignements au sujet de votre appareil, veuillez lire les autocollants apposés sur celui-ci.
3. S'assurer que les bouches appropriées donnent à l'extérieur. Ne pas aspirer/évacuer l'air dans des espaces restreints comme l'intérieur des murs ou plafond ou dans le grenier, un vide sanitaire ou un garage. Ne pas essayer de récupérer l'air évacué provenant d'une sècheuse ou d'une hotte de cuisinière.
4. Ne pas installer de conduits directement au-dessus ou à moins de 2 pi (0,61 m) d'une fournaise, de son conduit de distribution, d'une chaudière ou d'un appareil de chauffage. Si un conduit doit être raccordé au plenum de retour d'air de la fournaise, il doit être installé à au moins 10 pi (3,1 m) du raccordement de ce plenum à la fournaise.
5. Le réseau de conduits doit être installé conformément à tous les codes locaux et nationaux en vigueur.
6. En cas d'absence prolongée (plus de deux semaines), laissez une personne responsable vérifier régulièrement que l'appareil fonctionne adéquatement.
7. Si le réseau de conduits traverse un espace non tempéré (ex. : grenier), l'appareil doit fonctionner continuellement sauf lors de l'entretien ou de la réparation. La température ambiante de la maison ne doit également jamais se situer sous 18 °C (65 °F).
8. Au moins une fois par année, les composantes électroniques et mécaniques de cet appareil devraient être inspectées par du personnel qualifié.
9. Ne pas utiliser votre appareil lorsque des travaux de construction ou de rénovation sont en cours, ou lors du sablage de joints de cloison sèche. Certains types de poussière et de vapeurs peuvent endommager votre système de ventilation.
10. Pendant l'hiver, s'assurer que les bouches extérieures ne sont pas encombrées par la neige. Il est également important de s'assurer que l'appareil n'aspire pas de neige pendant les tempêtes de neige. Au besoin, arrêter l'appareil pendant quelques heures.
11. Le contrôle électronique de cet appareil contient un microprocesseur qui peut ne pas fonctionner normalement en raison d'interférences ou à la suite de courtes interruptions de courant. Si cela se produit, débrancher l'appareil, attendre une dizaine de secondes, puis rebrancher l'appareil.

TABLE DES MATIÈRES

1. UTILISER CET APPAREIL	4	6. COMMANDES MURALES	13	
2. ENTRETIEN	4	6.1 Commandes murales auxiliaires	13	
2.1 Entretien saisonnier.....	4	6.2 Commande murale principale.....	14	
2.2 Entretien annuel	5	7. RACCORDEMENT ÉLECTRIQUE À LA	FOURNAISE	14
3. DÉPANNAGE DE L'UTILISATEUR	5	8. RÉGLAGE DE LA RECIRCULATION ET	DU DÉGIVRAGE	15
4. GARANTIE	6	9. ÉQUILIBRAGE DE L'APPAREIL	16	
5. INSTALLATION	8	9.1 Préparation	16	
5.1 Emplacement de l'appareil	8	9.2 Équilibrage de l'appareil	17	
5.2 Installer l'appareil.....	8	10. PIÈCES DE REMPLACEMENT	21	
5.2.1 À l'aide de chaînes et de ressorts	8	11. SCHÉMA ÉLECTRIQUE	23	
5.2.2 À l'aide du support mural	9	12. DÉPANNAGE	24	
5.3 Installation des conduits et des grilles.....	9			
5.3.1 Installation indépendante	9			
5.3.2 Distribution à la source - Côté distribution	10			
5.3.3 Distribution à la source - Côté retour.....	10			
5.3.4 Installation simplifiée - Retour/Distribution	10			
5.3.5 Installation simplifiée - Retour/Retour	11			
5.4 Raccorder les conduits à l'appareil.....	11			
5.4.1 Conduits flexibles isolés.....	11			
5.4.2 Conduits flexibles non isolés.....	11			
5.4.3 Conduits rigides non isolés	11			
5.5 Installation des bouches extérieures	12			
5.6 Raccordement du boyau de drainage.....	12			



PRODUCT REGISTRATION CARD - FICHE D'ENREGISTREMENT DU PRODUIT

IMPORTANT: Please complete and return this questionnaire within 10 days of your purchase to the address below. Note that only the questions on this side of the page are mandatory. Your answers will be used for market research studies and reports, and will help us to better serve you in the future. **IMPORTANT:** Veuillez remplir ce questionnaire et nous le retourner dans les 10 jours suivant votre achat à l'adresse inscrite en bas de la page. Veuillez noter que seules les questions de ce côté-ci de la page sont obligatoires. Vos réponses serviront à des études de marché et nous aideront à mieux vous servir dans l'avenir.

First name - Prénom

Last name - Nom de famille

Address - Adresse

Apt. no. - App.

City - Ville

Province

Postal code - Code postal

Country - Pays

E-mail address - Courriel

Language preferred - Langue de correspondance

Telephone no. (day) - N° de téléphone (jour)

Telephone no. (evening) - N° de téléphone (soir)

Date of purchase - Date d'achat

Model no. - N° de modèle

Serial no. - N° de série

1. UTILISER CET APPAREIL

ATTENTION

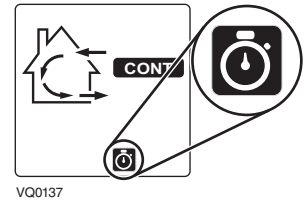
Avant d'utiliser cet appareil pour la première fois, prendre le temps de lire attentivement la page 2 de ce guide pour s'assurer que l'appareil est utilisé de façon sécuritaire et optimale.

Cet appareil effectue une séquence de démarrage de 30 secondes lorsqu'il est mis sous tension. La commande murale principale indique en pourcentage la progression de la séquence de démarrage. L'appareil ne répond pas aux commandes tant que la séquence de démarrage n'est pas terminée.

Cet appareil peut être contrôlé à l'aide d'une seule commande principale et de jusqu'à 5 boutons-poussoirs 20/40/60 minutes optionnels, habituellement situés dans les salles de bains.

L'activation d'un bouton-poussoir 20/40/60 minutes l'emporte sur le mode de fonctionnement courant de l'appareil, y compris sur les cycles de dégivrage. L'icône chronomètre apparaît sur la commande principale pour indiquer qu'une commande auxiliaire a été activée.

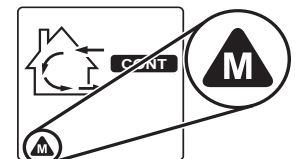
Pour de plus amples renseignements au sujet des commandes murales, consulter le *Guide de l'utilisateur, Commandes murales principales et auxiliaires* inclus avec cet appareil et accessible sur notre site Internet.



VQ0137

2. ENTRETIEN

Un entretien saisonnier et annuel doit être effectué sur cet appareil. Une icône de rappel d'entretien apparaît de façon périodique sur la commande murale principale environ 4 fois par année.



VQ0134

Icône de rappel d'entretien

2.1 ENTRETIEN SAISONNIER

1. Débrancher l'appareil.
2. Défaire les 2 loquets de porte et ouvrir celle-ci.
3. Retirer les 2 filtres du dessus du noyau de récupération.
4. Nettoyer les filtres à l'aide d'une solution de savon doux et d'eau tiède. Rincer abondamment, puis laisser sécher complètement.
5. Réinstaller les filtres sur le noyau de récupération.
6. Fermer la porte et rebrancher l'appareil. L'appareil effectuera une séquence de démarrage de 30 secondes, puis il fonctionnera dans le même mode qu'avant l'entretien.
7. Réinitialiser le rappel d'entretien en maintenant enfoncés simultanément pendant 3 secondes les boutons MODE et TURBO de la commande murale.

Would you like to receive occasional informational e-mail offers including product updates and special promotions from us? **Yes/No**

What problem were you trying to solve with your purchase? (Check each one that applies to you.)

- | | |
|--|---|
| <input type="checkbox"/> Bad odors | <input type="checkbox"/> Dust |
| <input type="checkbox"/> Respiratory problems | <input type="checkbox"/> Mildew |
| <input type="checkbox"/> Excess of humidity | <input type="checkbox"/> Allergies |
| <input type="checkbox"/> Temperature standardization | <input type="checkbox"/> No specific problems |
| <input type="checkbox"/> Lack of fresh air | <input type="checkbox"/> Others |

Who installed your unit?

- | | |
|--|--|
| <input type="checkbox"/> Home builder | <input type="checkbox"/> Friend / family |
| <input type="checkbox"/> Recommended installer | <input type="checkbox"/> Contractor |
| | <input type="checkbox"/> Yourself |

Please read the following list of criteria carefully. Indicate the importance of your purchase decision on a scale of 1 (less important) to 5 (most important).

- | | |
|---|--|
| <input type="checkbox"/> Price | <input type="checkbox"/> Heat recovery |
| <input type="checkbox"/> Warranty | <input type="checkbox"/> Controls |
| <input type="checkbox"/> Product design | <input type="checkbox"/> Ease of cleaning |
| <input type="checkbox"/> Ventilation capacity | <input type="checkbox"/> Manufacturer's reputation |
| <input type="checkbox"/> Filter maintenance indicator | <input type="checkbox"/> Ease of use |
| <input type="checkbox"/> Filtration quality | <input type="checkbox"/> Noise level |
| <input type="checkbox"/> Recirculation | <input type="checkbox"/> Other |

Aimeriez-vous recevoir plus de détails sur nos promotions, offres de rabais et mises à jour de nos produits? **Oui/Non**

Quels problèmes essayez-vous de résoudre par cet achat? (Cochez toutes les cases pertinentes)

- | | |
|---|---|
| <input type="checkbox"/> Mauvaises odeurs | <input type="checkbox"/> Poussières |
| <input type="checkbox"/> Problèmes respiratoires | <input type="checkbox"/> Moisissures |
| <input type="checkbox"/> Excès d'humidité | <input type="checkbox"/> Allergies |
| <input type="checkbox"/> Uniformisation de la température | <input type="checkbox"/> Pas de problèmes spécifiques |
| <input type="checkbox"/> Manque d'air frais | <input type="checkbox"/> Autres (Précisez SVP) |

Qui a installé l'appareil?

- | | |
|--|---|
| <input type="checkbox"/> Constructeur de la maison | <input type="checkbox"/> Ami/membre de la famille |
| <input type="checkbox"/> Installateur recommandé | <input type="checkbox"/> Entrepreneur |
| | <input type="checkbox"/> Vous-même |

Veillez lire la liste des critères de sélection ci-dessous. Sur une échelle de 1 (étant le moins important) à 5 (étant le plus important), veuillez indiquer l'importance de chacun d'entre eux dans votre décision d'achat.

- | | |
|---|---|
| <input type="checkbox"/> Prix | <input type="checkbox"/> Récupération d'énergie |
| <input type="checkbox"/> Garantie | <input type="checkbox"/> Fonctions |
| <input type="checkbox"/> Design du produit | <input type="checkbox"/> Facilité de nettoyage |
| <input type="checkbox"/> Débit de ventilation | <input type="checkbox"/> Réputation du fabricant |
| <input type="checkbox"/> Indicateur d'entretien du filtre | <input type="checkbox"/> Simplicité d'utilisation |
| <input type="checkbox"/> Qualité de filtration | <input type="checkbox"/> Niveau de bruit |
| <input type="checkbox"/> Recirculation | <input type="checkbox"/> Autres (Précisez SVP) |
| <input type="checkbox"/> Récupération de chaleur | |

Are you connected? Please do not hesitate to complete the product registration card via our Web site at www.bnv.ca

Enregistrez-vous en ligne! N'hésitez pas à remplir la fiche d'enregistrement du produit sur notre site Internet au www.bnv.ca

2.2 ENTRETIEN ANNUEL

1. Suivre les étapes 1 et 2 de l'entretien saisonnier.
2. Retirer les filtres et le noyau de récupération de l'appareil.
3. Nettoyer l'intérieur de l'appareil à l'aide d'un chiffon humide, puis assécher à l'aide d'un chiffon sec.
4. Nettoyer les filtres à l'aide d'une solution de savon doux et d'eau tiède. Rincer abondamment, puis laisser sécher complètement.
5. Nettoyer le noyau de récupération comme suit, selon le modèle de l'appareil :

X24 HRV ECM	X24 HRV ECM-N	G2400H ECM	X24 ERV ECM	X24 ERV ECM-N	G2400E ECM
X30 HRV ECM	X30 HRV ECM-N	G3000H ECM	X30 ERV ECM	X30 ERV ECM-N	G3000E ECM
Laisser le noyau de récupération de chaleur tremper dans l'eau tiède additionnée de savon doux pendant 3 heures. Rincer et laisser sécher.			ATTENTION : NE PAS IMMERGER LE NOYAU DE RÉCUPÉRATION D'ÉNERGIE		
			Enlever la poussière sur le noyau à l'aide d'un aspirateur muni d'une brosse à poils doux.		

6. Réinstaller le noyau dans l'appareil.
7. Réinstaller les filtres sur le noyau de récupération.
8. Fermer la porte de l'appareil.
9. Nettoyer les bouches extérieures.
10. Rebrancher l'appareil. L'appareil effectuera une séquence de démarrage de 30 secondes, puis il fonctionnera dans le même mode qu'avant l'entretien.
11. Réinitialiser le rappel d'entretien en maintenant enfoncés simultanément pendant 3 secondes les boutons MODE et TURBO de la commande murale.

3. DÉPANNAGE DE L'UTILISATEUR

Avant toute chose, débrancher l'appareil, attendre 1 minute, puis le rebrancher. Si le problème persiste, consulter le tableau ci-dessous.

PROBLÈMES		ESSAYEZ CECI
1.	Rien ne fonctionne.	<ul style="list-style-type: none"> • Vérifier si l'appareil est bien branché. • Vérifier le disjoncteur ou le fusible de la maison alimentant l'appareil.
2.	L'écran de la commande principale affiche un code d'erreur commençant par E0 (E01, E02, etc.).	<ul style="list-style-type: none"> • S'assurer que le code des couleurs a été respecté lors du branchement des fils aux bornes correspondantes. • Vérifier la connexion des fils. • Appuyer simultanément durant 10 secondes sur les touches % HUM, MODE et TURBO pour effectuer une mise à zéro. Les préférences de l'utilisateur devront être réglées de nouveau.
3.	L'écran de la commande X-Touch affiche un code d'erreur commençant par E2 (E21, E22, etc.)	<ul style="list-style-type: none"> • L'appareil de ventilation éprouve des difficultés. Contacter votre installateur.
4.	L'écran de la commande X-Touch affiche un décompte de 10 secondes.	<ul style="list-style-type: none"> • Attendre la fin du décompte, sans appuyer sur une touche.
5.	L'icône flocon de neige clignote à l'écran de la commande X-Touch.	<ul style="list-style-type: none"> • L'appareil de ventilation est en mode de Protection; il sortira de ce mode par lui-même. • Si cette situation se produit régulièrement, ou si la température extérieure est plus haute que -20°C, contacter votre installateur.
6.	Condensation sur les fenêtres (air trop humide).	<ul style="list-style-type: none"> • Faire fonctionner l'appareil en mode TURBO ou CONT jusqu'à ce que la situation se corrige. • Laisser les rideaux entrouverts pour laisser circuler l'air. • Entreposer le bois de chauffage dans une pièce fermée dotée d'un déshumidificateur, dans une pièce bien aérée, ou à l'extérieur. • Garder la température ambiante au-dessus de 18°C (64°F).
7.	Air intérieur trop sec.	<ul style="list-style-type: none"> • Utiliser temporairement un humidificateur. • Faire fonctionner l'appareil en mode 20 min/h ou RECIRC.
8.	Air trop froid à la grille de distribution.	<ul style="list-style-type: none"> • S'assurer que les bouches extérieures ne sont pas obstruées. • Faire fonctionner l'appareil en mode 20 min/h ou RECIRC. • Installer un chauffage d'appoint.
9.	La commande murale principale ne fonctionne pas.	<ul style="list-style-type: none"> • La séquence de démarrage de 30 secondes n'est pas terminée. Voir section 1, page 4. • Un bouton-poussoir 20/40/60 minute est en fonction. Voir section 1, page 4. • Le mode Protection prévaut sur le mode de la commande murale. Consulter le <i>Guide de l'utilisateur, Commandes murales principales et auxiliaires</i>.

Pour tout problème non résolu, communiquer avec le service à la clientèle: 1 800 567-3855.

4. GARANTIE

Votre appareil de ventilation est un produit de grande qualité, fabriqué et emballé avec soin. Le fabricant garantit au consommateur, acheteur initial de ses produits, que ceux-ci sont exempts de tout défaut de fabrication pour la période citée plus bas et ce, à partir de la date d'achat originale.

La garantie de tous les appareils couvre les pièces seulement contre toute défectuosité pouvant nuire à son fonctionnement. Elle est d'une durée de cinq (5) ans. Sous réserve d'avoir effectué l'entretien du noyau tel qu'il est mentionné dans ce guide, le noyau de récupération de chaleur (VRC) est couvert par une garantie à vie limitée, et le noyau de récupération d'énergie (VRE) est couvert par une garantie de dix (10) ans. Si un fonctionnement inadéquat devait se produire, veuillez vous référer au guide de l'utilisateur. Si le problème persiste, la marche à suivre est la suivante :

MARCHE À SUIVRE

Si l'appareil est défectueux, veuillez communiquer immédiatement avec votre entrepreneur en ventilation (voir son adresse sur la page couverture de votre guide de l'utilisateur). Il déterminera la source du mauvais fonctionnement et effectuera le remplacement ou la réparation, s'il y a lieu. Si jamais il devenait impossible de le joindre, téléphonez (en Amérique du Nord) au 1 800 567-3855 où notre personnel se fera un plaisir de vous transmettre le numéro de téléphone du distributeur ou du centre de service le plus près de chez vous.

PIÈCES DE REMPLACEMENT ET SERVICE

Pour assurer le bon fonctionnement de votre appareil, vous devez toujours utiliser des pièces d'origine provenant du fabricant. Les pièces d'origine du fabricant sont spécialement conçues pour satisfaire toutes les normes de certification de sécurité applicables. Leur remplacement par des pièces ne provenant pas du fabricant pourrait ne pas assurer la sécurité de l'appareil, entraîner une réduction sévère des performances ainsi qu'un risque de défaillance prématurée. Le fabricant recommande également de toujours vous référer à une entreprise de services compétente et reconnue par le fabricant pour vos pièces de remplacement et appel de service.

FACTURE

Aucune réparation ou aucun remplacement ne sera couvert par la garantie sans la copie de la facture originale d'achat. Prenez soin de bien la conserver.

FRAIS DIVERS

Les frais de main-d'œuvre relatifs au retrait de la pièce défectueuse et/ou à l'installation de la pièce conforme ne seront, en aucun cas, couverts par le fabricant.

CONDITIONS ET LIMITES

Visé un bâtiment pour lequel la partie 9 de la division B de la version en vigueur du Code national du bâtiment du Canada s'applique avec les restrictions et exception additionnelles indiquées ci-dessous :

Domaine d'application de la partie 9, division B selon la version en vigueur du Code national du bâtiment du Canada :

La partie 9 de la division B s'applique pour tout bâtiment visé par les définitions et conditions de la version en vigueur du Code national du bâtiment du Canada indiquées ci-dessous :

Tout bâtiment d'une hauteur de bâtiment d'au plus 3 étages, d'une aire de bâtiment d'au plus 600 m², et qui abritent des usages principaux du :*

Groupe C¹, habitations,

Groupe D², établissement d'affaires,

Groupe E³, établissements commerciaux, ou

Groupe F, divisions 2⁴ et 3⁵, établissements industriels à risques moyens et établissements industriels à risques faibles.

Et tout bâtiment dont l'usage principal est classé comme suit :

Groupe C¹ habitations avec aire de bâtiment de plus de 600 m² ou d'une hauteur de bâtiment de plus de 3 étages.

Cependant, les établissements du groupe F sont exclus puisque les VRE/C ont seulement été évalués pour une installation dans des endroits sans risques conformément à la norme de sécurité canadienne applicable.

Se référer au tableau ci-dessous pour obtenir des exemples communs compris dans chaque groupe d'établissements.

Groupe & Division	Usage principal	Exemples
C	Habitations	Maisons unifamiliales, Auberges, Bâtiments multifamiliaux
D	Établissement d'affaires	Banques, Bureaux
E	Établissement commercial	Grands magasins, Supermarchés

Se référer à la note A-3.1.2.1 de la version en vigueur du Code national du bâtiment du Canada pour obtenir plus d'exemples.

**La détermination de la taille d'un bâtiment prend en considération la séparation intérieure et doit être évaluée conformément à la section 1.3.3.4 du Code national du bâtiment du Canada en vigueur.*

Pour l'utilisateur

¹**Habitation** : bâtiment, ou partie de bâtiment, où des personnes peuvent dormir, sans y être hébergées en vue de recevoir des soins ou des traitements, et sans y être détenues.

²**Établissement d'affaires** (Groupe D) : bâtiment, ou partie de bâtiment, utilisé pour la conduite des affaires ou la prestation de services professionnels ou personnels.

³**Établissement commercial** (Groupe E) : bâtiment, ou partie de bâtiment, utilisé pour l'étalage ou la vente de marchandises ou de denrées au détail.

⁴**Établissement industriel à risques moyens** (Groupe F, Division 2) : établissement industriel non classé comme établissement industriel à risques très élevés, mais dont le contenu combustible par aire de plancher est supérieur à 50 kg/m² ou 1200 MJ/m².

⁵**Établissement industriel à risques faibles** (Groupe F, Division 3) : établissement industriel dont le contenu combustible par aire de plancher est d'au plus 50 kg/m² ou 1200 MJ/m².

Exception :

L'installation dans une salle de classe est acceptable à condition que l'unité soit installée avec un système de conduits indépendant, distinct du système CVAC, qui est limité à cette salle de classe et servant à ventiler cette salle de classe seulement. Les restrictions supplémentaires de cette section demeurent applicables.

Restrictions :

Le VRC/E ne doit pas être installé dans un environnement ni être utilisé pour évacuer de l'air contenant :

- Gaz, vapeur, émanations ou solvants corrosifs.
- Gaz, vapeur, émanations, solvants ou poussières inflammables ou explosifs.
- Concentrations élevées de parfums, de vernis à ongles ou de produits de traitement capillaire (agents de décoloration et de coloration, etc) tel qu'on les trouve dans les salons de coiffure ou les salons de manucure.
- Concentration élevée d'émanations chimiques provenant de solvants, de peinture ou d'agents de nettoyage.

Le VRC/E ne doit pas être utilisé pour évacuer l'air dépassant 50 % HR et un point de rosée de 11 °C sur une longue période (plus de 24 heures) lorsque la température extérieure est sous -15 °C.

Le VRC/E ne doit pas être utilisé pour évacuer l'air d'un environnement contenant une concentration élevée de particules à moins que l'air évacué soit pré-filtré à l'aide de filtres haute efficacité sélectionnés selon la taille des particules avant leur entrée dans le VRC/E.

Le VRC/E ne doit pas être utilisé pour évacuer les émanations de cuisson, mais peut être utilisé pour ventiler la cuisine dans un bâtiment du groupe C d'une hauteur de bâtiment d'au plus 3 étages et d'une aire de bâtiment d'au plus 600 m² seulement. L'emplacement du registre d'évacuation d'air vicié doit respecter les exigences du Code du bâtiment et du guide d'installation et d'utilisation.

Les applications mettant en cause des pathogènes ou virus aériens, de la fumée ou des gaz nocifs ne sont pas recommandées. De telles applications nécessitent une attention supplémentaire pour éviter la recirculation et la contamination croisée interne. Veuillez contacter le service à la clientèle pour plus d'information.

La garantie ci-dessus s'appliquera dans tous les cas où les dommages ne seront pas le résultat d'une installation inadéquate, d'un usage inapproprié, d'abus ou de négligence, de cas fortuit ou de toute autre circonstance hors du contrôle du fabricant. De plus, le fabricant ne sera pas tenu responsable des blessures ou dommages à la propriété personnelle ou immobilière causés directement ou indirectement par l'appareil de ventilation. Cette garantie annule toutes les garanties précédentes.

ATTENTION

Avant d'installer cet appareil, prendre le temps de lire attentivement la page 2 de ce guide pour s'assurer que l'installation est sécuritaire et optimale.

5. INSTALLATION

5.1 EMLACEMENT DE L'APPAREIL

Choisir un emplacement approprié:

- De sorte que l'appareil soit facile d'accès en vue de l'entretien. Prévoir un **dégagement de 27 po devant l'appareil** afin que la porte puisse être ouverte. Si ce n'est pas possible, un dégagement de 18 po est suffisant, auquel cas la porte devra être retirée pour effectuer l'entretien.
- Dans un endroit tempéré où la **température ambiante se maintient entre 18 °C (65 °F) et 40 °C (104 °F) et où l'humidité relative est d'au plus 60 %.**
- Près d'un mur extérieur, de façon à réduire la longueur des conduits flexibles isolés.
- Éloigné des cheminées chaudes et autres risques d'incendie.
- Prévoir une source d'alimentation électrique (prise standard 3 trous avec mise à la terre) à moins de 6 pi.
- VRC: à proximité d'un drain. S'il n'y en a pas, se servir d'un seau pour récupérer l'écoulement.

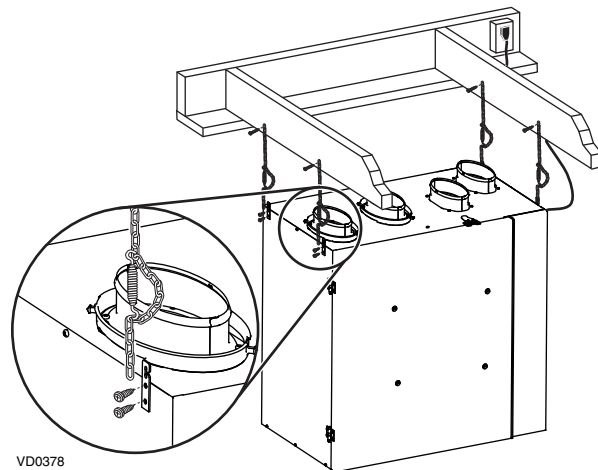
5.2 INSTALLER L'APPAREIL

ATTENTION

Toujours s'assurer que l'appareil est de niveau.

5.2.1 À L'AIDE DE CHÂÎNES ET DE RESSORTS

L'appareil peut être suspendu à l'aide de chaînes et de ressorts:



Pour l'installateur

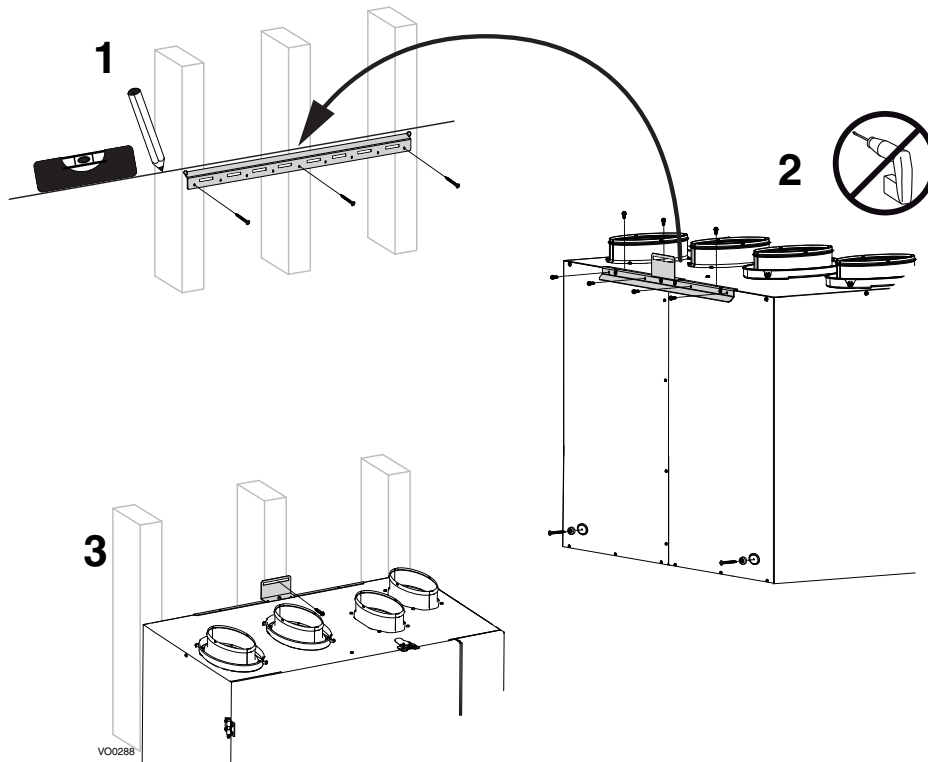
5.2.2 À L'AIDE DU SUPPORT MURAL

1. Tracer une ligne de niveau sur le mur, environ au niveau de dessus de l'appareil.
2. À l'aide des vis de 1/2 po et des rondelles fournis, visser la partie longue du support au mur en s'assurant de visser dans tous les montants.

⚠ AVERTISSEMENT

Ne pas visser dans le gypse uniquement; s'assurer que les vis entrent dans les montants.

3. À l'aide des vis de 1/2 po fournies, assembler les deux butées aux coins inférieurs du derrière de l'appareil.
4. À l'aide des vis de 3/8 po fournies, installer les deux autres parties du support au haut du derrière de l'appareil, comme illustré ci-dessous. Ne pas utiliser de tournevis électrique.
5. Accrocher l'appareil sur le support mural, puis visser la petite partie du support au mur, idéalement dans un montant.



5.3 INSTALLATION DES CONDUITS ET DES GRILLES

⚠ AVERTISSEMENT

- **Ne jamais installer une grille d'évacuation d'air vicié dans une pièce où se trouve un appareil de combustion, tel qu'une fournaise, un chauffe-eau à gaz ou un foyer.**
- **Lors de raccordement au conduit, toujours utiliser des outils et matériaux approuvés. Respecter tous les lois et règlements en vigueur. Veuillez consulter votre code du bâtiment local.**

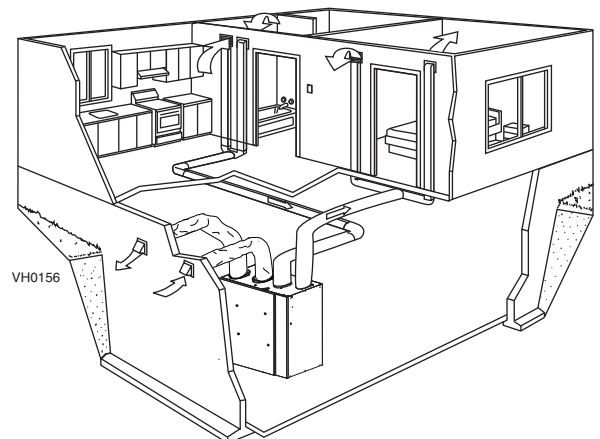
5.3.1 INSTALLATION INDÉPENDANTE

Aspiration d'air vicié :

- Installer les grilles là où les contaminants sont produits : cuisine, salle de bain, buanderie, etc.
- Installer les grilles sur un mur intérieur, à une distance de 6 po à 12 po (152 mm à 305 mm) du plafond OU les installer au plafond.
- Installer les grilles à au moins 4 pieds de la cuisinière.

Distribution d'air frais :

- Installer les grilles dans les chambres à coucher, salle à dîner, salon et sous-sol.
- Installer les grilles au plafond OU sur un mur intérieur, en dirigeant l'air vers le plafond.
- Si une grille doit être installée au plancher, diriger son jet d'air vers le mur.



Pour l'installateur

5.3.2 DISTRIBUTION À LA SOURCE - CÔTÉ DISTRIBUTION

ATTENTION

Si l'appareil est raccordé au conduit de distribution de la fournaise, ce dernier doit être en métal et de dimensions lui permettant de supporter le débit additionnel produit par l'appareil.

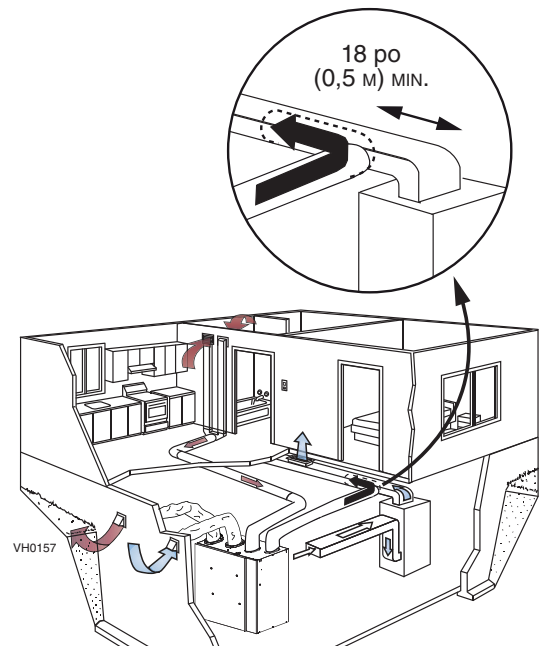
Aspiration d'air vicié :

- Installer les grilles là où les contaminants sont produits : cuisine, salle de bain, buanderie, etc.
- Installer les grilles sur un mur intérieur, à une distance de 6 po à 12 po (152 mm à 305 mm) du plafond OU les installer au plafond.
- Installer les grilles à au moins 4 pieds de la cuisinière.

Distribution d'air frais :

- Couper une ouverture dans le conduit de distribution de la fournaise, à au moins 18 pouces (0,5 m) de celle-ci.
- Raccorder cette ouverture à la bouche de distribution d'air frais de l'appareil à l'aide d'un conduit de métal.
- S'assurer que le conduit de l'appareil forme un coude à l'intérieur du conduit de la fournaise.

NOTE : Pour ce type d'installation, il est recommandé, sans toutefois être essentiel, que le ventilateur de la fournaise soit synchronisé avec l'appareil.



5.3.3 DISTRIBUTION À LA SOURCE - CÔTÉ RETOUR

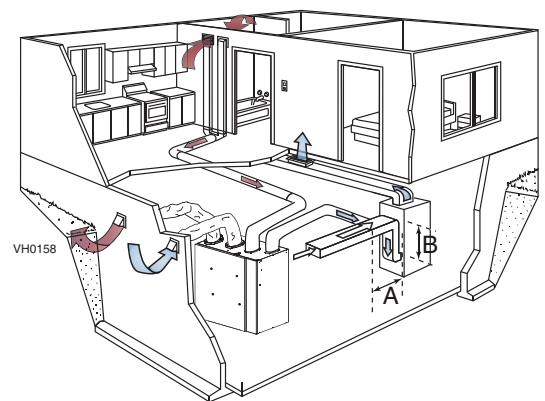
Aspiration d'air vicié :

- Installer les grilles là où les contaminants sont produits : cuisine, salle de bain, buanderie, etc.
- Installer les grilles sur un mur intérieur, à une distance de 6 po à 12 po (152 mm à 305 mm) du plafond OU les installer au plafond.
- Installer les grilles à au moins 4 pieds de la cuisinière.

Distribution d'air frais :

- Couper une ouverture dans le conduit de retour de la fournaise, à au moins 10 pieds (3,1 m) de celle-ci (A+B).
- Raccorder cette ouverture à la bouche de distribution d'air frais de l'appareil à l'aide d'un conduit de métal.

NOTE : Pour ce type d'installation, il est recommandé, sans toutefois être essentiel, que le ventilateur de la fournaise soit synchronisé avec l'appareil.



5.3.4 INSTALLATION SIMPLIFIÉE - RETOUR/DISTRIBUTION

Aspiration d'air vicié :

- Couper une ouverture dans le conduit de retour de la fournaise, à au moins 10 pieds (3,1 m) de celle-ci (A+B).
- Raccorder cette ouverture à la bouche d'aspiration d'air vicié de l'appareil (comme illustré) à l'aide d'un conduit de métal.

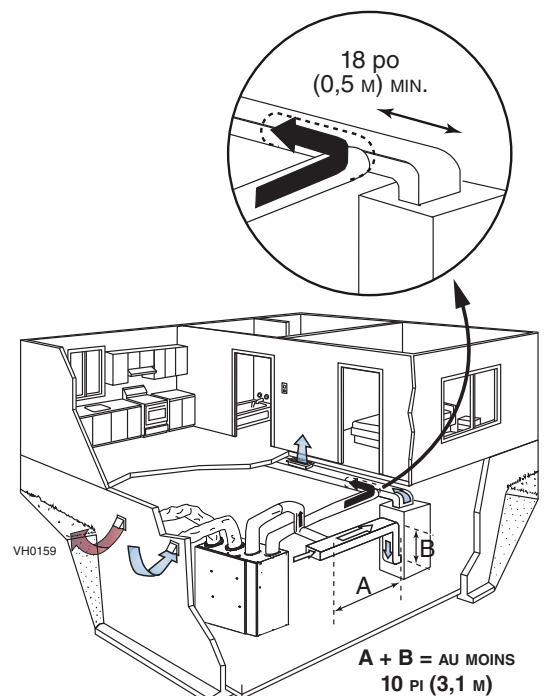
Distribution d'air frais :

ATTENTION

Si l'appareil est raccordé au conduit de distribution de la fournaise, ce dernier doit être en métal et de dimensions lui permettant de supporter le débit additionnel produit par l'appareil.

- Couper une ouverture dans le conduit de distribution de la fournaise, à au moins 18 pouces (0,5 m) de celle-ci.
- Raccorder cette ouverture à la bouche de distribution d'air frais de l'appareil (comme illustré) à l'aide d'un conduit de métal.
- S'assurer que le conduit de l'appareil forme un coude à l'intérieur du conduit de la fournaise.

NOTE : Pour ce type d'installation, il est recommandé, sans toutefois être essentiel, que le ventilateur de la fournaise soit synchronisé avec l'appareil.



Pour l'installateur

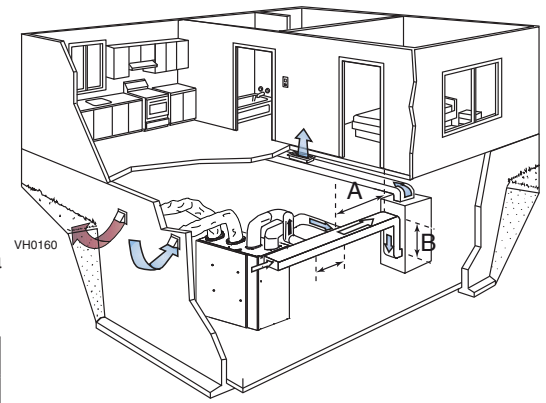
5.3.5 INSTALLATION SIMPLIFIÉE - RETOUR/RETOUR

Distribution d'air frais :

- Couper une ouverture dans le conduit de retour de la fournaise, à au moins 10 pieds (3,1 m) de celle-ci (A+B).
- Raccorder cette ouverture à la bouche de distribution d'air frais de l'appareil (comme illustré) à l'aide d'un conduit de métal.

Aspiration d'air vicié :

- Couper une ouverture dans le conduit de retour de la fournaise, au moins 3 pieds (1 m) en amont du raccordement du conduit de distribution d'air frais.
- Raccorder cette ouverture à la bouche d'aspiration d'air vicié de l'appareil.
- S'assurer que les deux raccordements au conduit de retour de la fournaise sont à au moins 3 pieds (1 m) l'un de l'autre.



ATTENTION

Pour ce type d'installation, le ventilateur de la fournaise doit être synchronisé avec l'appareil. Voir section 8.

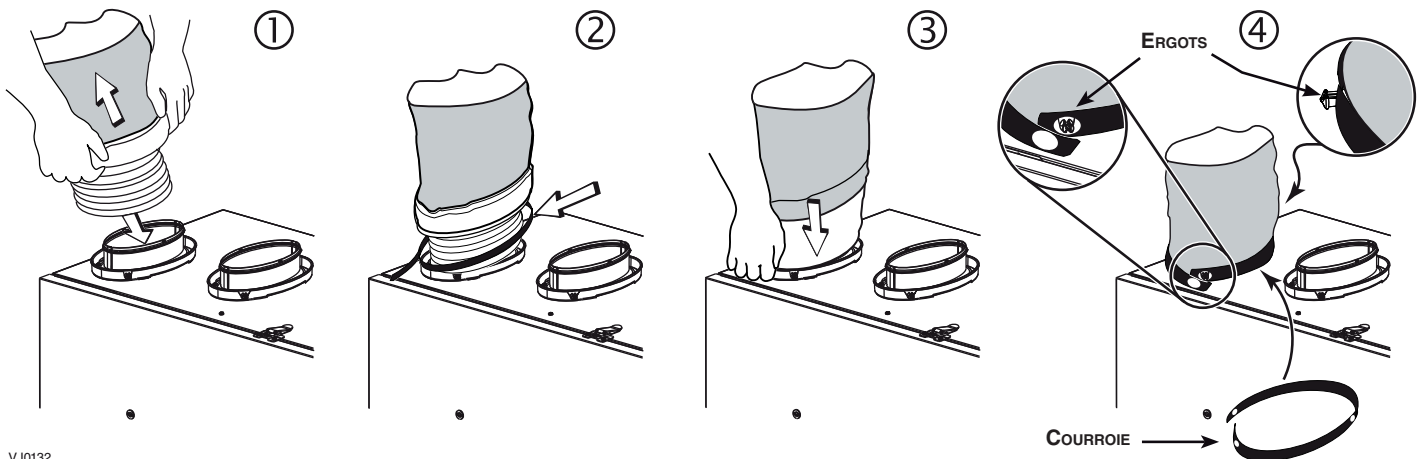
5.4 RACCORDER LES CONDUITS À L'APPAREIL

ATTENTION

- Si les conduits doivent passer par un endroit où la température n'est pas contrôlée (ex. : grenier), toujours utiliser des conduits isolés.
- S'assurer que le coupe-vapeur ne se déchire pas durant l'installation pour éviter que ne se forme de la condensation dans les conduits.
- Toujours utiliser des conduits isolés pour raccorder les bouches d'aspiration d'air frais et d'évacuation d'air vicié aux bouches extérieures.

5.4.1 CONDUITS FLEXIBLES ISOLÉS

1. Tirer sur l'isolant pour exposer le conduit flexible.
2. À l'aide d'une attache autobloquante, fixer le conduit flexible à la bouche.
3. Tirer l'isolant au-dessus du joint et l'insérer entre les anneaux de la bouche.
4. Descendre le coupe-vapeur (en gris dans l'illustration ci-dessous) et recouvrir complètement l'anneau extérieur. Sceller le joint à l'aide de la courroie incluse. Pour ce faire, insérer un des ergots de l'anneau extérieur de la bouche à travers le coupe-vapeur et dans le premier trou de la courroie. Ensuite, insérer l'autre ergot à travers le coupe-vapeur et le trou du centre de la courroie.



VJ0132

5.4.2 CONDUITS FLEXIBLES NON ISOLÉS

Utiliser des attaches autobloquantes pour relier les bouches et conduits entre eux, puis sceller avec du ruban à conduit.

5.4.3 CONDUITS RIGIDES NON ISOLÉS

Afin d'éviter la transmission de vibrations, utiliser une petite longueur de conduit flexible (environ 6 po) pour raccorder les conduits rigides aux bouches de l'appareil. Utiliser des attaches autobloquantes pour relier les bouches et conduits entre eux, puis sceller avec du ruban à conduit.

Pour l'installateur

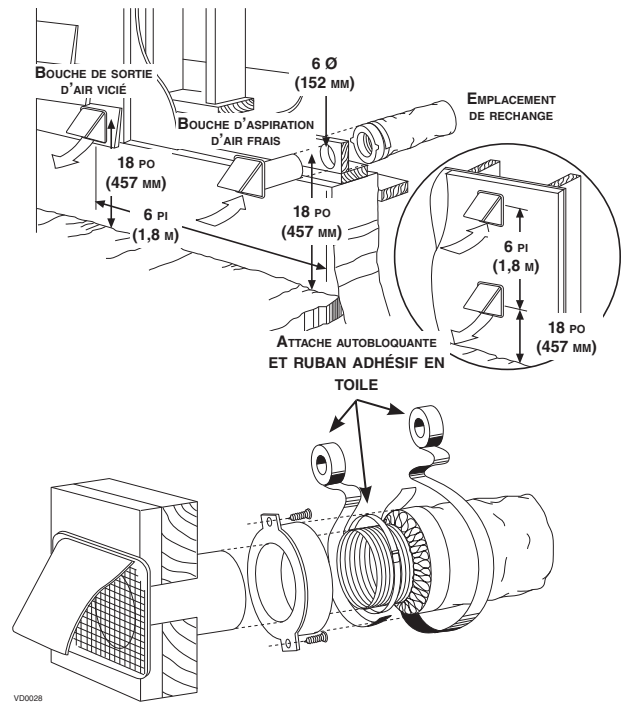
5.5 INSTALLATION DES BOUCHES EXTÉRIEURES

Consulter l'illustration ci-contre pour relier les conduits isolés aux bouches extérieures. Une bouche « anti-rafale » pour l'aspiration d'air frais devrait être installée dans les régions où il tombe généralement beaucoup de neige.

⚠ AVERTISSEMENT

S'assurer que les bouches sont à au moins 18 pouces au-dessus du sol et que la bouche d'aspiration est à au moins 6 pi (1,8 m) des éléments suivants :

- Bouche d'évacuation
- Sortie de sècheuse, de fournaise haut rendement, d'aspirateur central
- Sortie de compteur de gaz, barbecue à gaz
- Sortie de toute source de combustion
- Poubelle ou toute autre source de contamination

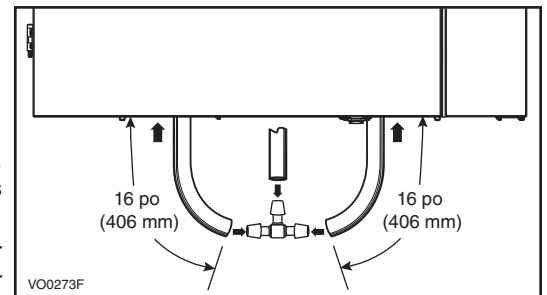


5.6 RACCORDEMENT DU BOYAU DE DRAINAGE

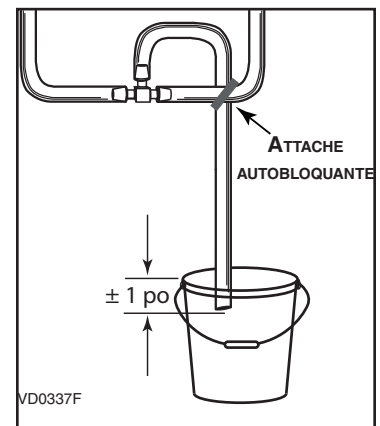
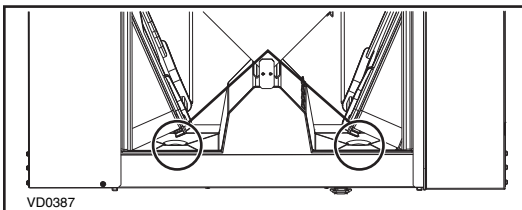
ATTENTION

Un boyau de drainage (inclus) doit être installé pour tous les appareils VRC. Il n'est pas requis pour les appareils VRE, cependant il est recommandé dans les climats où la température extérieure demeure sous -25°C (-13°F) 24 heures par jour, durant plusieurs jours, combinée à un taux d'humidité intérieur de 40 % et plus.

1. Couper 2 sections de boyau de plastique d'au moins 16 po chacune.
2. Relier le boyau de plastique au raccord de drain situé sous l'appareil. Si le drain est installé sur un **appareil VRE**, retirer les deux bouchons de drains à l'intérieur de l'appareil avant d'installer les boyaux.
3. Raccorder leurs autres extrémités ainsi que le reste du boyau au raccord en «T», tel qu'illustré ci-dessous. Cela empêchera que l'appareil aspire de mauvaises odeurs du drain.
4. Raccorder le boyau au drain du sous-sol ou à un seau. Si un seau est utilisé pour recueillir l'eau, placer le bout du boyau à environ 1 po du bord du seau afin d'éviter que l'eau ne remonte dans l'appareil.



EMPLACEMENT DES BOUCHONS DE DRAIN DES APPAREILS VRE



6. COMMANDES MURALES

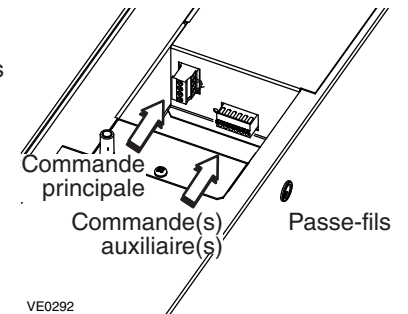
⚠ AVERTISSEMENT

Toujours débrancher l'appareil avant d'effectuer les connexions. Le fait de ne pas débrancher l'appareil pourrait causer un choc électrique, endommager l'appareil, la commande murale, ou le module électronique de l'appareil.

ATTENTION

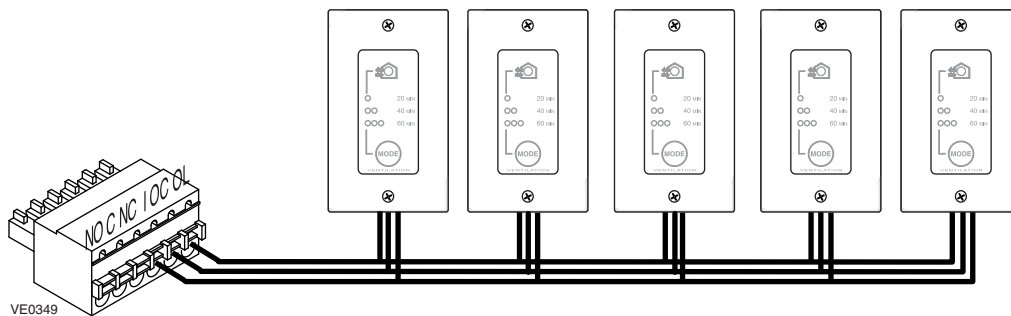
Ne jamais installer plus d'une commande murale principale par appareil. S'assurer qu'il n'y a aucun court-circuit entre les fils ou entre les fils et une autre composante de la commande murale. Éviter les connexions relâchées. Afin de diminuer les risques d'interférence électrique (parasites), ne pas faire cheminer le fil de la commande murale près de contacteurs de contrôle ou près de circuits gradateur d'éclairage, moteurs électriques, câblage électrique de la maison, ou panneau de distribution de courant.

Les borniers nécessaires aux connexions des commandes murales sont déjà installés sur la carte électronique. Pour effectuer les connexions, ouvrir la porte du côté de l'appareil et retirer les borniers de la carte électronique. Passer les fils dans le passe-fils prévu à cet effet avant de faire les connexions.



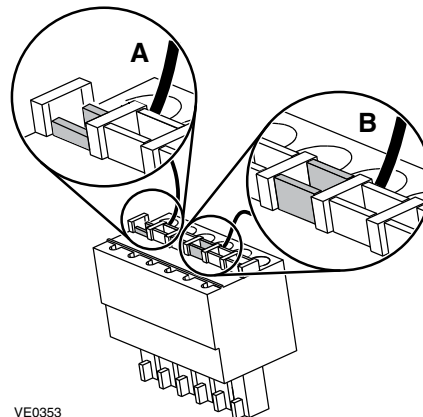
6.1 COMMANDES MURALES AUXILIAIRES

Jusqu'à 5 boutons-poussoirs 20/40/60 minutes optionnels peuvent être installés avec cet appareil.



Pour connecter le câble des commandes auxiliaires optionnelles au bornier à 6 positions :

1. Dénuder l'extrémité du câble.
2. Dénuder l'extrémité de 3 des 4 fils sur environ 1/4 po.
3. Insérer les fils dans les trous correspondants. Un fil est inséré correctement lorsque le réceptacle orange est plus bas qu'un autre réceptacle sans fil. Dans l'illustration ci-dessous, le fil A est correctement inséré, mais le fil B ne l'est pas.



4. Réinstaller le bornier sur la carte électronique
5. Consulter la feuille d'installation des commandes pour connaître leur mode de fonctionnement.

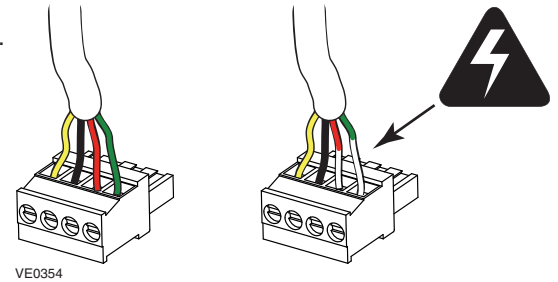
Pour l'installateur

6.2 COMMANDE MURALE PRINCIPALE

Seules les commandes principales **X-Touch** et **Gold-Touch** sont compatibles avec ces appareils; chaque appareil peut être contrôlé au moyen d'une seule commande principale.

Pour connecter le câble de la commande principale au bornier à 4 positions :

1. Dénuder l'extrémité du câble.
2. Dénuder l'extrémité des fils sur 1/4 po. Ne pas dénuder le fil plus que nécessaire.
3. À l'aide d'un petit tournevis à lame plate, connecter chaque fil à son terminal (se référer à l'étiquette sur l'appareil - JAUNE à Y; NOIR à B; ROUGE à R; VERT à G).
4. Réinstaller le bornier sur la carte électronique
5. Consulter la feuille d'installation de la commande pour connaître son mode de fonctionnement.



7. RACCORDEMENT ÉLECTRIQUE À LA FOURNAISE

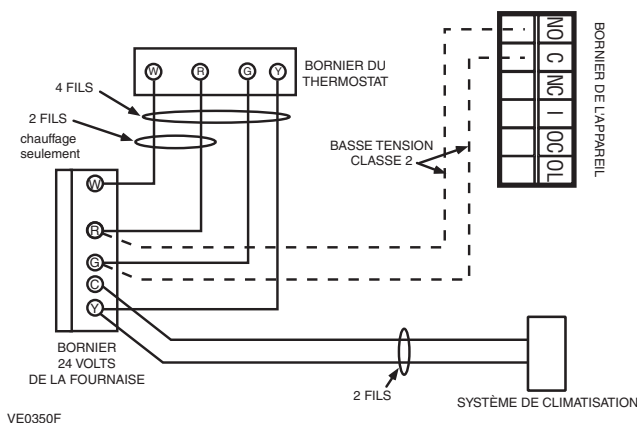
⚠ AVERTISSEMENT

Ne jamais brancher un circuit 120 volts ca aux bornes du câblage de la fournaise (méthode standard). Utiliser uniquement le circuit classe 2 du ventilateur de la fournaise.

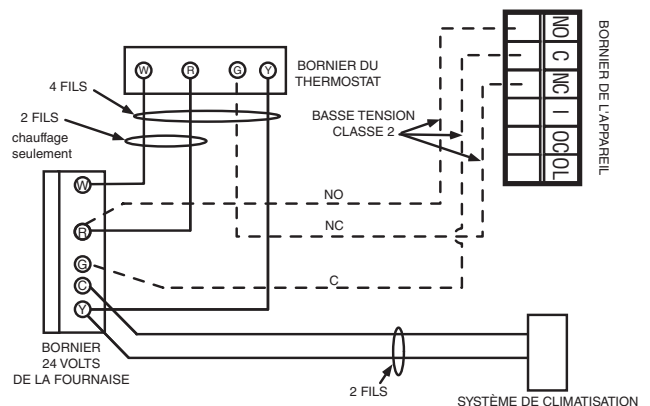
POUR UNE FOURNAISE RACCORDÉE AU SYSTÈME DE CLIMATISATION :

Sur certains vieux thermostats, la mise sous tension des bornes « R » et « G » à la fournaise a pour effet de mettre sous tension « Y » au thermostat et, par conséquent, d'activer le système de climatisation. Si vous êtes en présence ce genre de thermostat, vous devez utiliser la *méthode secondaire de câblage synchronisé avec la fournaise*.

MÉTHODE STANDARD DE CÂBLAGE SYNCHRONISÉ AVEC LA FOURNAISE



MÉTHODE SECONDAIRE DE CÂBLAGE SYNCHRONISÉ AVEC LA FOURNAISE



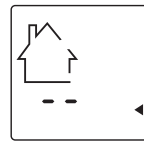
8. RÉGLAGE DE LA RECIRCULATION ET DU DÉGIVRAGE

ATTENTION

Régler en dégivrage prolongé tous les appareils situés dans les régions où la température extérieure peut demeurer inférieure à -25 °C (-13 °F) (Winnipeg, Regina, Québec, Edmonton, Yellowknife, Whitehorse, Labrador City par exemple) 24 heures par jour, plusieurs jours d'affilée, si le taux d'humidité intérieur est de 40% et plus.

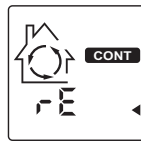
Appuyer sur la touche **MODE** 3 s

L'écran affichera une des trois configurations suivantes :



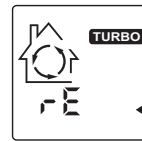
Deux lignes clignotent pour indiquer Attente (configuration par défaut).

OU



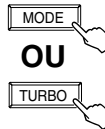
Les flèches de recirculation tournent, rE clignote et CONT apparaît pour indiquer RECIRCULATION en basse vitesse.

OU



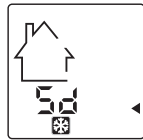
Les flèches de recirculation tournent, rE clignote et TURBO apparaît pour indiquer RECIRCULATION en haute vitesse.

Utiliser la touche **MODE** ou **TURBO** pour voir toutes les 3 configurations.



Appuyer sur la touche **% HUM** pour accepter la configuration choisie et aller au réglage du type de cycle de dégivrage.

L'écran affichera un des trois types de cycle de dégivrage :

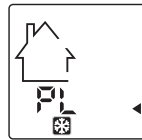


Sd (Standard)

(cycle pré-réglé en usine). Lorsque requis, l'appareil effectuera un cycle de dégivrage en haute vitesse.

NOTE: C'est ce type de dégivrage qui est utilisé pour les données publiées par le HVI et ENERGY STAR®.

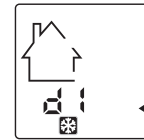
OU



PL (Plus)

Utiliser ce cycle en région froide (temp. ext. de -25 °C [-13 °F] et plus basse). Lorsque requis, l'appareil effectuera un cycle de dégivrage en haute vitesse durant plus longtemps.

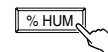
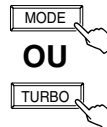
OU



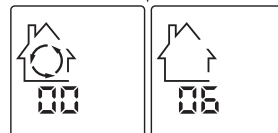
dl (Discretion)

Lorsque requis, l'appareil effectuera un cycle de dégivrage à la même vitesse que celle utilisée pour la ventilation de l'appareil (ex.: si l'appareil est en TURBO, le dégivrage sera fait en haute vitesse et si l'appareil est en CONT, le dégivrage se fera en basse vitesse).

Utiliser la touche **MODE** ou **TURBO** pour voir les 3 types de cycle de dégivrage.



Appuyer sur la touche **% HUM** pour accepter le type de cycle de dégivrage choisi et aller à l'affichage de la version du logiciel.



L'affichage alterne entre la maison avec le cercle de flèches et la maison sans flèche. Les chiffres sous la maison indiquent le numéro de version du logiciel.



Appuyer sur la touche **% HUM** OU attendre 10 secondes pour quitter le menu des réglages.

9. ÉQUILIBRAGE DE L'APPAREIL

9.1 PRÉPARATION

Équipement nécessaire :

- Une commande principale X-Touch ou Gold-Touch à proximité de l'appareil.
- Un manomètre pouvant mesurer de 0 à 1 pouce d'eau (0 à 250 Pa) ainsi que deux tubes de plastique.
- Le tableau d'équilibrage et le tableau des vitesses prééglées, collés sur l'appareil derrière la porte du côté.

Avant de commencer :

- Sceller tous les conduits du réseau avec du ruban à conduits. Fermer toutes les portes et fenêtres.
- Arrêter tous les dispositifs d'évacuation d'air tels que hotte de cuisinière, ventilateurs de salle de bains ou sècheuse.
- S'assurer que tous les filtres sont propres (si ce n'est pas la première fois que l'appareil est équilibré).

NOTE: Si l'installation est reliée de quelque façon que ce soit avec le conduit de retour d'air frais de la fournaise, s'assurer que le ventilateur de celle-ci est en marche.

Installer le manomètre :

1. Installer le manomètre sur une surface nivelée et le régler à zéro.
2. Relier les tubes du manomètre aux prises de pression du débit d'air VICIÉ ou du débit d'air FRAIS, selon le débit à être mesuré (voir l'illustration ci-contre).
3. S'assurer de relier les tubes aux raccords high/low correspondants. Si l'aiguille du manomètre tombe au-dessous de zéro, inverser les branchements.

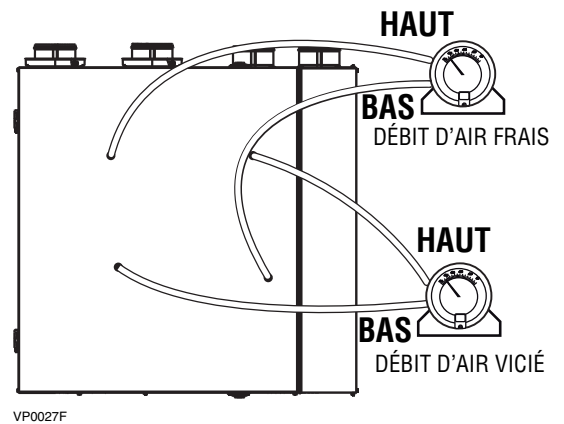


Tableau d'équilibrage et tableau des vitesses prééglées

Utiliser le tableau d'équilibrage sur l'appareil pour convertir les mesures (po d'eau) prises par le manomètre en débit (pi³/min). Durant l'équilibrage, l'écran de la commande X-Touch/Gold-Touch indique quelle prise de pression doit être utilisée. Un écart jusqu'à 10 pi³/min entre les flots est acceptable. Voir l'exemple ci-dessous.

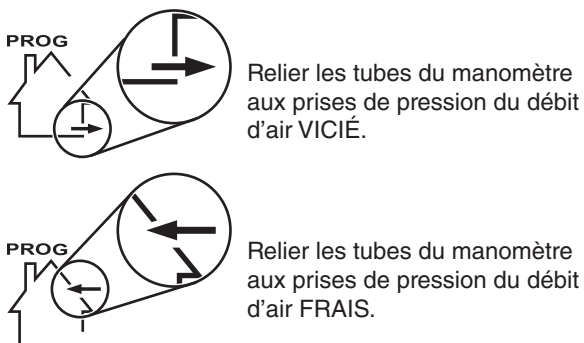


TABLEAU D'ÉQUILIBRAGE DE L'APPAREIL

DÉBIT	FRAIS	VICIÉ
PI ³ /MIN	PO D'EAU	PO D'EAU
120	0,71	0,73
125	0,67	0,70
130	0,63	0,67
135	0,59	0,64
140	0,55	0,61
145	0,51	0,58
150	0,47	0,55

Pression de l'air VICIÉ et débit en pi³/min correspondant.

Pression de l'air FRAIS et débit en pi³/min correspondant.

① Raccorder une commande principale X-Touch/Gold-Touch près de l'appareil.

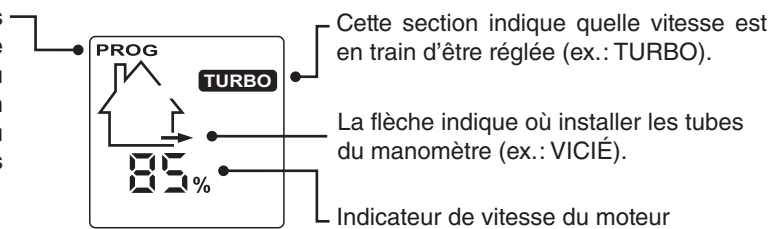
INFORMATION GÉNÉRALE À PROPOS DE L'UTILISATION DE LA COMMANDE X-TOUCH DANS LA PROCÉDURE D'ÉQUILIBRAGE

MODE — Appuyer sur la touche MODE pour augmenter la valeur.

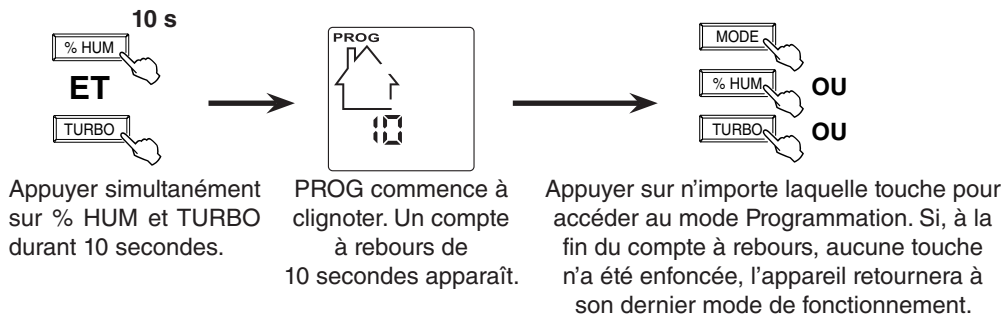
% HUM — Appuyer sur la touche % HUM pour accepter.

TURBO — Appuyer sur la touche TURBO pour baisser la valeur.

PROG clignote à l'écran aussi longtemps que vous êtes dans les menus du mode de Programmation (vitesses pré réglées ou personnalisées). Il disparaît de l'écran lorsque tous les réglages sont faits ou qu'il n'y a pas de changement après 60 secondes.



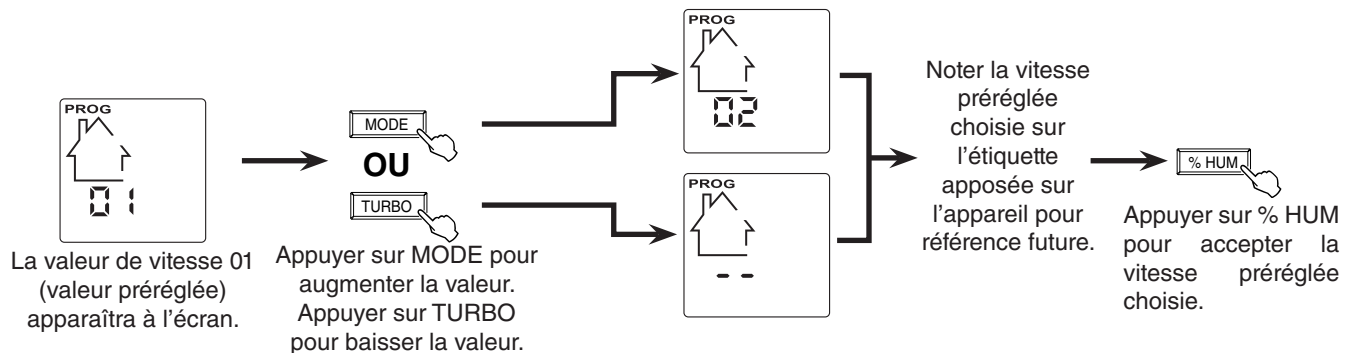
② Accéder au mode Programmation.



Choisir entre deux options :

- 01, 02, etc.: Vitesses pré réglées (uniquement pour l'équilibrage de l'appareil, option plus rapide)
- __: Vitesses personnalisées (règle la vitesse TURBO et équilibre l'appareil, puis règle les vitesses CONT, la commande 20/40/60 minutes et RECIRC).

③ Choisir entre Vitesses pré réglées et Vitesses personnalisées.



NOTE : À partir de la valeur 01, appuyer sur TURBO donnera accès au réglage des vitesses personnalisées (voir page 19).

④ Relier les tubes du manomètre à l'appareil (voir 9.1).

Pour l'installateur

- ⑤ Si la vitesse de l'appareil est réglée près de sa plus haute vitesse, nous recommandons de commencer par mesurer et prendre en note les deux débits d'air.
- ⑥ Consulter le tableau d'équilibrage de l'appareil pour trouver les pi³/min correspondants.
- ⑦ Déterminer quel débit d'air doit être ajusté (le plus grand débit d'air doit être abaissé pour égaliser le plus petit). Voir l'exemple ci-dessous.

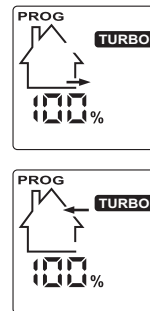
Pression po d'eau	Frais pi³/min	Vicié pi³/min
0,31	152	155
0,32	156	159
0,33	159	162
0,34	162	166
0,35	165	169
0,36	168	172
0,37	171	176
0,38	174	179
0,39	177	183
0,40	180	186
0,41	183	189
0,42	186	193
0,43	189	196
0,44	193	200
0,45	196	203
0,46	199	206
0,47	202	210
0,48	205	213
0,49	208	217
0,50	211	220
0,51	214	223
0,52	217	227
0,53	220	230
0,54	223	234
0,55	226	237

NOTE : À la première mesure des débits, en vitesse 01, la valeur des débits d'air frais et d'air vicié affichée à l'écran de la commande est de 100%.

Avant le réglage de débit

Mesure du débit d'air VICIÉ :
0,41 po d'eau,
189 pi³/min

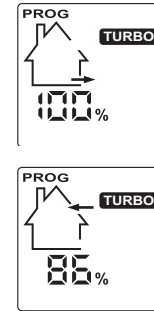
Mesure du débit d'air FRAIS :
0,50 po d'eau,
211 pi³/min



Après le réglage de débit

Mesure du débit d'air VICIÉ :
0,41 po d'eau,
189 pi³/min

Mesure du débit d'air FRAIS :
0,43 po d'eau,
189 pi³/min



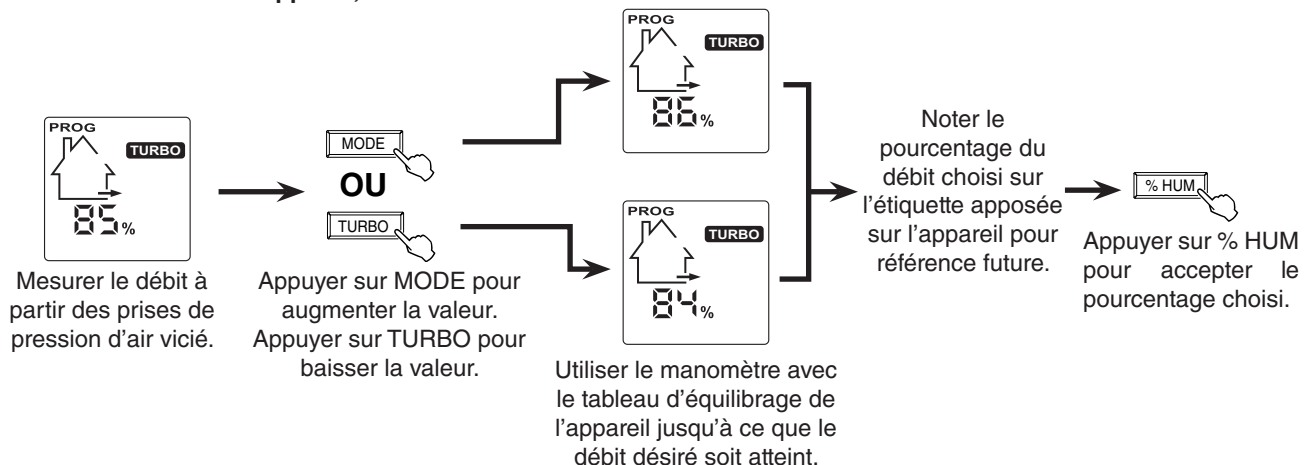
Dans ce cas, le débit d'air FRAIS doit être abaissé pour atteindre la valeur du débit d'air VICIÉ.

Valeur de mesure d'air VICIÉ et ses pi³/min correspondants

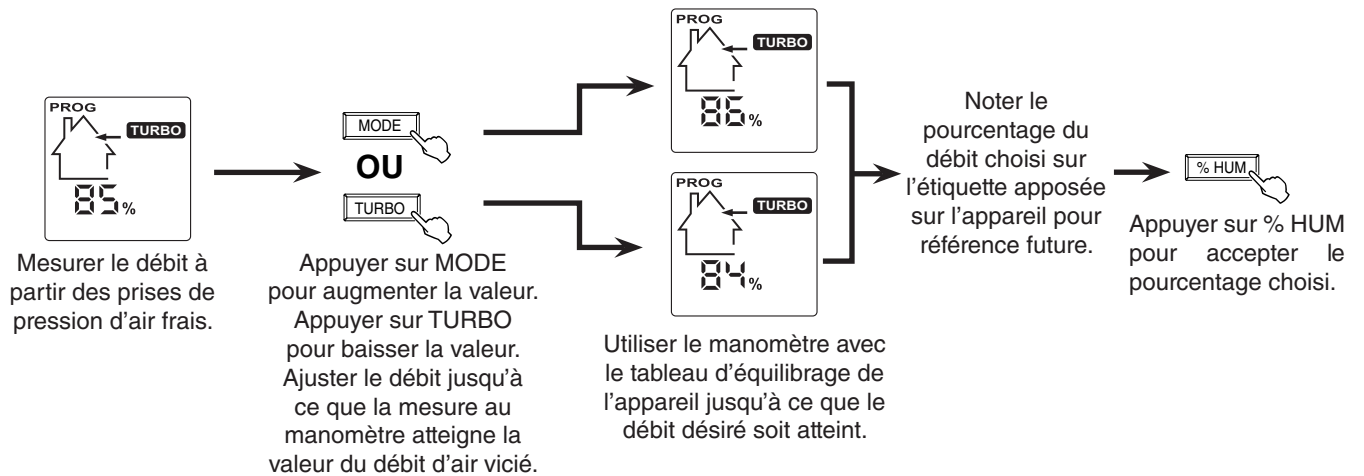
Valeur de mesure d'air FRAIS et ses pi³/min correspondants

- ⑧ Régler la vitesse TURBO pour l'air vicié (ou appuyer sur la touche % HUM pour la garder telle quelle).

NOTE : Les valeurs suivantes sont des exemples. Les valeurs réelles varient en fonction de la vitesse pré-réglée choisie, de l'installation de l'appareil, etc.



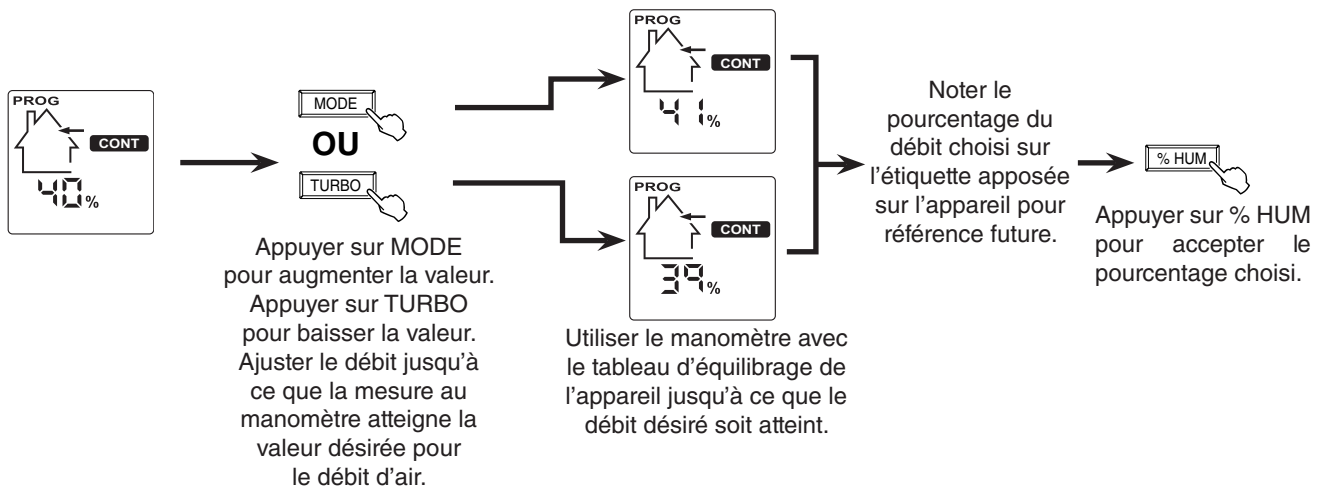
⑨ Régler la vitesse TURBO pour l'air frais (ou appuyer sur la touche % HUM pour la garder telle quelle).



Si vous avez choisi l'équilibrage par vitesse pré-réglées au point ②, la procédure d'équilibrage est terminée.

Si vous avez choisi l'équilibrage avec vitesse personnalisées, continuer avec les étapes suivantes :

⑩ Régler la vitesse CONT.



Pour l'installateur

⑪ Régler la vitesse de la commande 20/40/60 minutes.

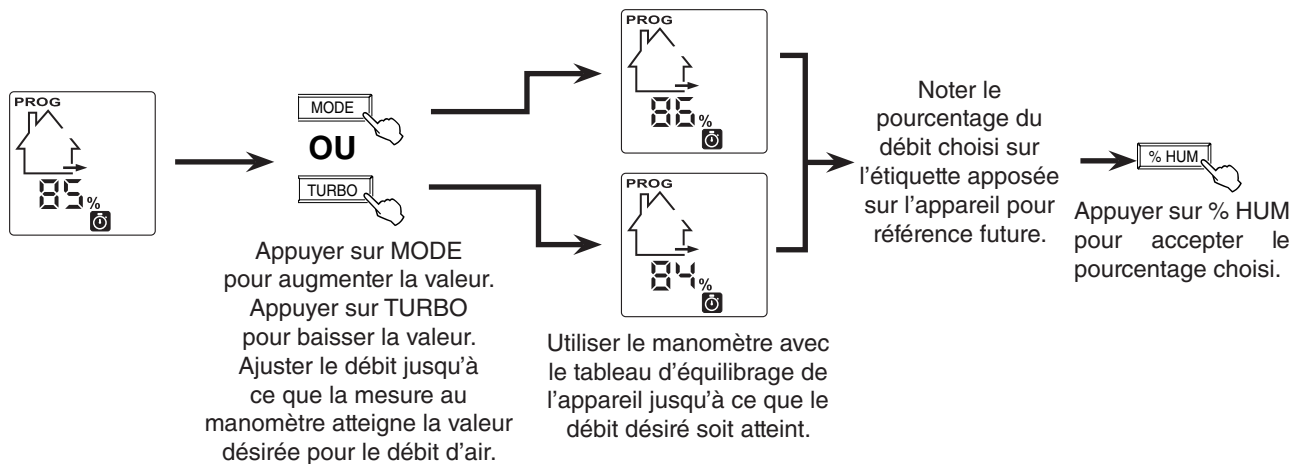
NOTE: Selon l'installation, les tubes du manomètre peuvent être reliés aux prises de pression du débit d'air vicié OU du débit d'air frais. Les flèches à l'écran indiqueront quel débit d'air devra être réglé.



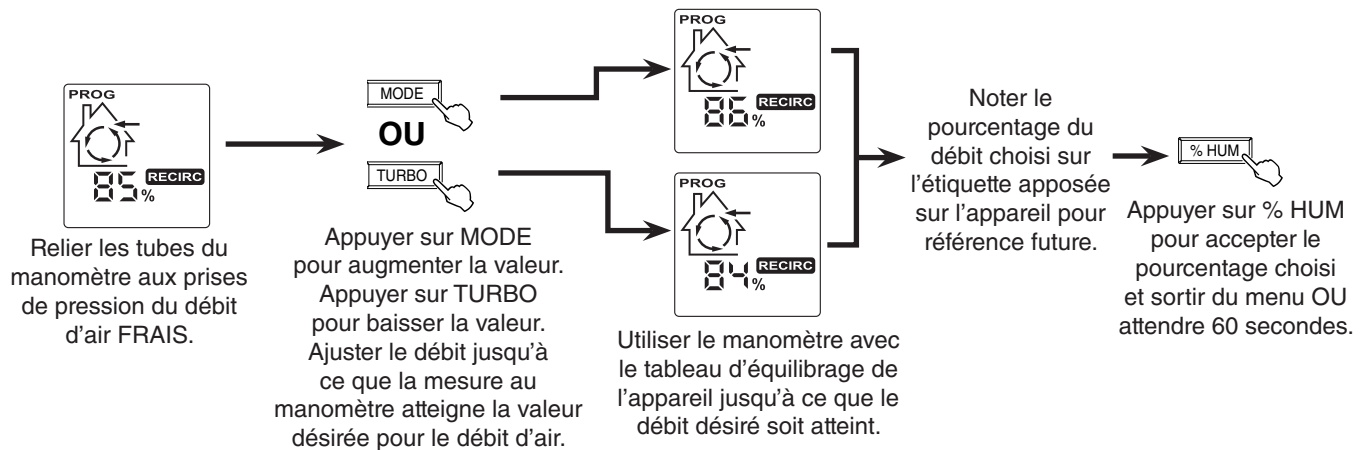
Relier les tubes du manomètre aux prises de pression du débit d'air VICIÉ.



Relier les tubes du manomètre aux prises de pression du débit d'air FRAIS.



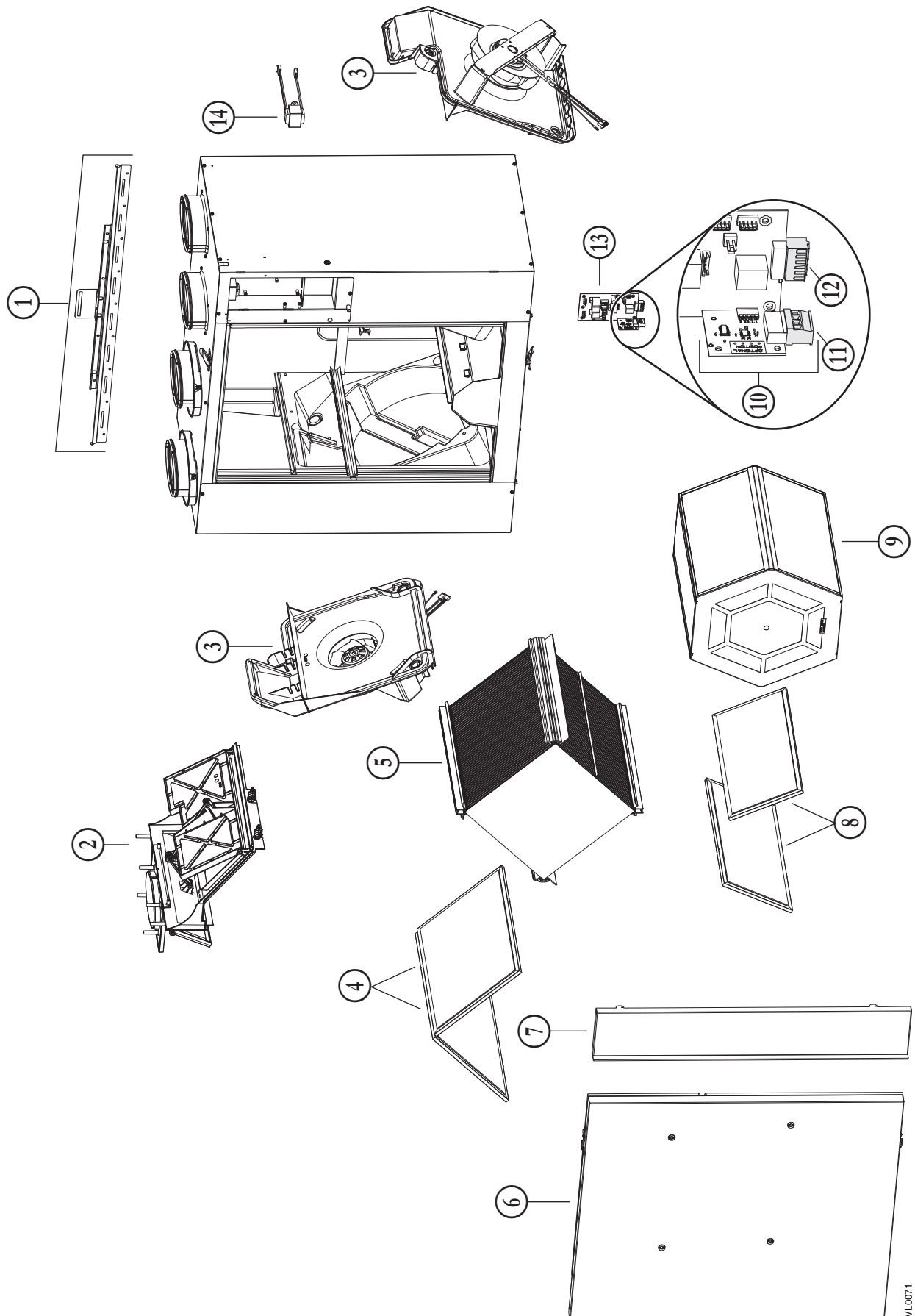
⑫ Régler la vitesse de RECIRC.



La procédure d'équilibrage est terminée.

NOTE: Les valeurs des débits d'air réglés sont sauvegardées dans l'appareil. Ainsi, au besoin, n'importe quelle commande principale X-Touch/Gold-Touch peut être utilisée pour régler à nouveau les vitesses de l'appareil et équilibrer ses débits d'air. Lors d'une panne de courant, l'appareil conserve ses réglages. Pour modifier les réglages, aller à l'étape ⑪ et suivre la procédure; les nouvelles valeurs remplaceront les antérieures.

10. PIÈCES DE REMPLACEMENT



N°	DESCRIPTION	QTÉ	X24 ERV ECM	X24 HRV ECM	X30 ERV ECM	X30 HRV ECM	X24 ERV ECM-N	X24 HRV ECM-N	X30 ERV ECM-N	X30 HRV ECM-N	G2400E ECM	G2400H ECM	G3000E ECM	G3000H ECM
1	ENSEMBLE DE SUPPORTS	1	63419	63419	63419	63419	63419	63419	63419	63419	63419	63419	63419	63419
2	ENS. DE SYSTÈME DE VOLET (INCLUANT 2 VIS DE PLASTIQUE)	1	63420	63420	63420	63420	63420	63420	63420	63420	63420	63420	63420	63420
3	BLOC VENTILATEUR (INCLUANT 3 VIS DE PLASTIQUE)	2	63421	63421	63421	63421	63421	63421	63421	63421	63421	63421	63421	63421
4	FILTRE DE NOYAU VRC (PAIRE)	1		63426		63426		63426		63426		63426		63426
	FILTRE DE NOYAU VRE (PAIRE)	1			63433				63433				63433	
5	NOYAU DE RÉCUP. DE CHALEUR	1		63422		63422		63422		63422		63422		63422
	NOYAU DE RÉCUP. D'ÉNERGIE	1			63425				63425				63425	
6	PORTE ASSEMBLÉE (INCLUANT N° 16)	1	63429	63429	63429	63429	63429	63429	63429	63429	63428	63428	63428	63428
7	PANNEAU DE DROITE	1	63432	62495	62498	62499	63432	62495	62498	62499	63430	62500	62502	62504
8	FILTRE DE NOYAU VRE (PAIRE)	1	63427				63427				63427			
9	NOYAU DE RÉCUP. D'ÉNERGIE	1	63424				63424				63424			
10	CARTE FILLE (INCLUANT N° 11)	1	63437	63437	63437	63437	63437	63437	63437	63437	63437	63437	63437	63437
11	BORNIER (POUR COMMANDE PRINCIPALE)	1	63434	63434	63434	63434	63434	63434	63434	63434	63434	63434	63434	63434
12	BORNIER (POUR COMMANDE AUXILIAIRE)	1	63435	63435	63435	63435	63435	63435	63435	63435	63435	63435	63435	63435
13	CARTE ÉLECTRONIQUE (INCLUANT LES N°S 10 ET 12)	1	63436	63441	63442	63443	63436	63441	63442	63436	63436	63441	63442	63443
14	TRANSFORMATEUR	1	63438	63438	63438	63438	63438	63438	63438	63438	63438	63438	63438	63438
*	ENSEMBLE THERMISTOR CÔTÉ CHAUD	1	62481	62481	62481	62481	62481	62481	62481	62481	62481	62481	62481	62481
*	INTER. DE PORTE MAGNÉTIQUE	1	19060	19060	19060	19060	19060	19060	19060	19060	19060	19060	19060	19060
*	VIS DE PLASTIQUE (JEU DE 6)	1	63439	63439	63439	63439	63439	63439	63439	63439	63439	63439	63439	63439
*	JEU DE PIÈCES POUR INSTAL.	1	22488	22488	22488	22488	22488	22488	22488	22488	22488	22488	22488	22488

* Non illustré.

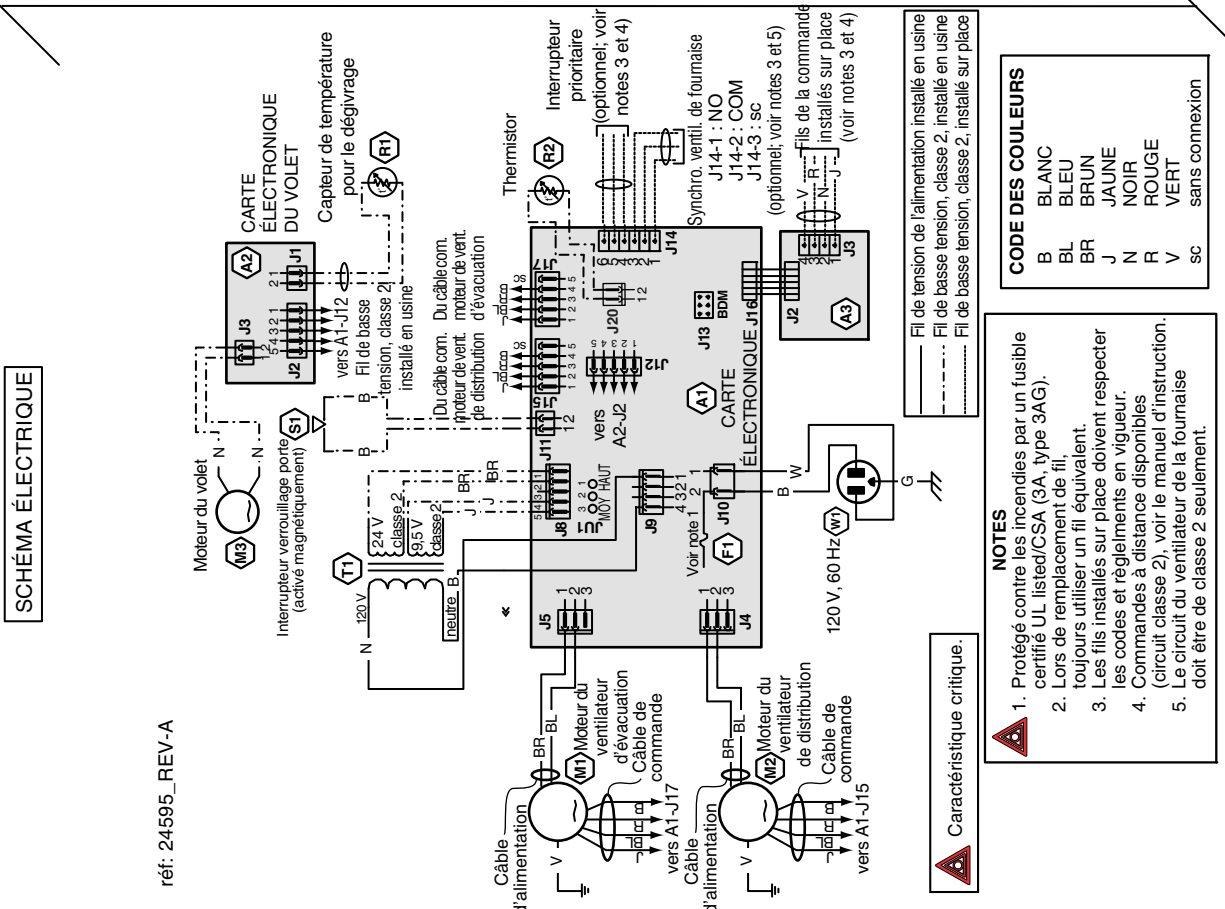
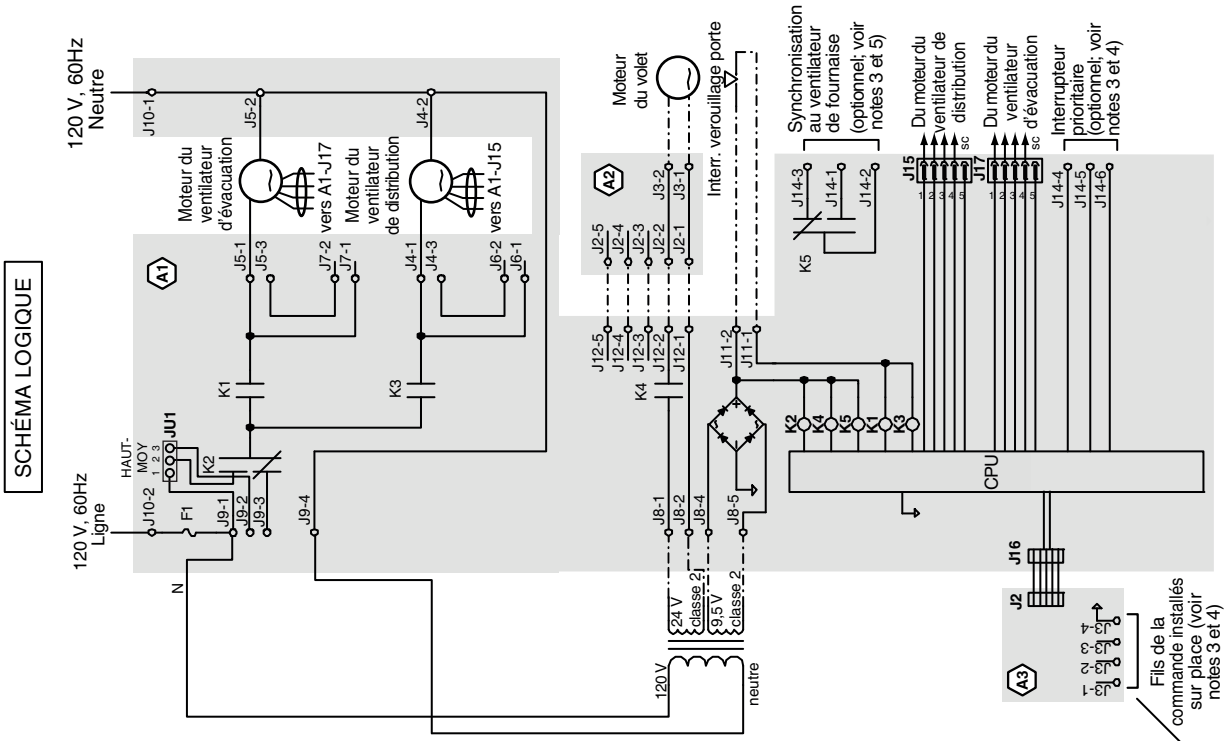
PIÈCES DE REMPLACEMENT ET SERVICE

Pour assurer le bon fonctionnement de votre appareil, vous devez toujours utiliser des pièces d'origine provenant du fabricant. Les pièces d'origine du fabricant sont spécialement conçues pour satisfaire toutes les normes de certification de sécurité applicables. Leur remplacement par des pièces ne provenant pas du fabricant pourrait ne pas assurer la sécurité de l'appareil, entraîner une réduction sévère des performances ainsi qu'un risque de défaillance prématurée. Le fabricant recommande également de toujours vous référer à une entreprise de services compétente et reconnue par le fabricant pour vos pièces de remplacement et appels de service.

11. SCHÉMA ÉLECTRIQUE

⚠ AVERTISSEMENT

- Danger d'électrocution. Toujours débrancher l'appareil avant d'effectuer les travaux d'entretien ou de réparation.
- Cet appareil est muni d'une protection contre les surcharges (fusible). Un fusible grillé indique une surcharge ou un court-circuit. Si le fusible grille, débrancher l'appareil de la prise de courant. Cesser d'utiliser l'appareil et communiquer avec le soutien technique.



CODE DES COULEURS

B	BLANC
BL	BLEU
BR	BRUN
J	JAUNE
N	NOIR
R	ROUGE
V	VERT
sc	sans connexion

- NOTES**
1. Protégé contre les incendies par un fusible certifié UL listed/CSA (3A, type 3AG).
 2. Lors de remplacement de fil, toujours utiliser un fil équivalent.
 3. Les fils installés sur place doivent respecter les codes et réglementations en vigueur.
 4. Commandes à distance disponibles (circuit classe 2), voir le manuel d'instruction.
 5. Le circuit du ventilateur de la fournaise doit être de classe 2 seulement.

⚠ Caractéristique critique.

réf. 24595_REV-A

12. DÉPANNAGE

⚠ AVERTISSEMENT

Danger d'électrocution. Les connexions de la carte électronique ne doivent être vérifiées que par du personnel qualifié.

