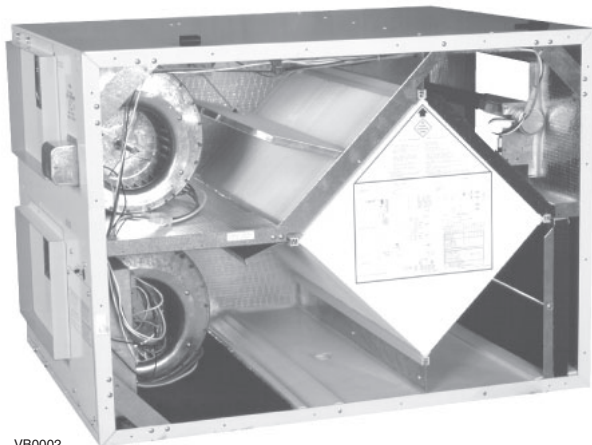


# Light Commercial Heat Recovery Ventilators and Energy Recovery Ventilators

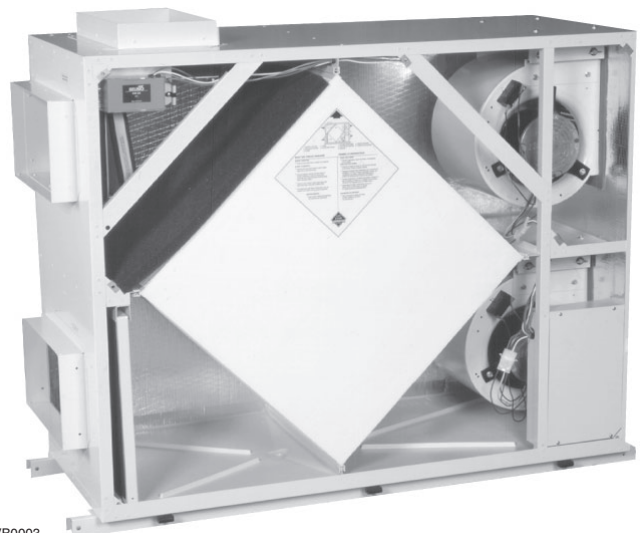
Installation, Operation and Service Instructions

INSTALLER: READ THESE INSTRUCTIONS AND  
LEAVE THIS MANUAL TO THE END USER.



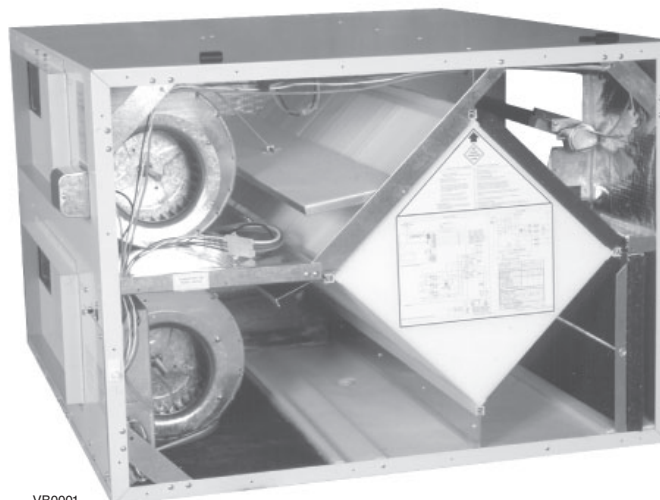
VB0002

**6LC, V6LC**



VB0003

**7000**



VB0001

**12LC, V12LC**



7 72371 13974 9

REGISTER YOUR PRODUCT ONLINE AT:  
[www.venmar.ca/register-your-product.html](http://www.venmar.ca/register-your-product.html) or  
[www.vanee.ca/en/register-your-product.html](http://www.vanee.ca/en/register-your-product.html)  
For additional information, visit [www.venmar.ca](http://www.venmar.ca) or [www.vanee.ca](http://www.vanee.ca)

# Table of Contents

---

1. Safety Considerations . . . . .	3
2. Installation . . . . .	4-5
2.1 Inspection . . . . .	4
2.2 Mounting Location Requirements . . . . .	4
2.3 Mounting Options . . . . .	4
2.4 Ductwork . . . . .	4-5
2.5 Internal Grilles and diffusers . . . . .	5
2.6 Exterior Hoods . . . . .	5
2.7 Drains . . . . .	5
2.8 Electrical connections . . . . .	5
3. Controls . . . . .	6
3.1 General Information . . . . .	6
3.2 Sequence of Operation . . . . .	6
3.3 Defrost . . . . .	6
3.4 Remote Wall Control (Optional) . . . . .	6
4. Airflow Measurements and Balancing . . . . .	7
5. Maintenance . . . . .	7-8
5.1 Bi-Monthly Maintenance . . . . .	7
5.2 Annual Maintenance . . . . .	8
6. Service . . . . .	8-9
6.1 Parts Replacement . . . . .	8-9
6.2 Troubleshooting . . . . .	9
7. Service Parts . . . . .	10-12
7.1 6LC, V6LC-12LC, V12LC Exhaust Defrost . . . . .	10
7.2 6LC, V6LC-12LC, V12LC Recirculation Defrost . . . . .	11
7.3 7000 . . . . .	12
Appendix A - Mounting Diagrams . . . . .	13
Appendix B - Unit Dimensions . . . . .	14-18
Appendix C - Balancing Dampers Position . . . . .	19
Appendix D - Drain Connections . . . . .	20
Appendix E - Terminal Control Diagrams . . . . .	21-22
Appendix F - Control Box Assembly 6LC, V6LC, 12LC and V12LC . . . . .	22
Appendix G - Make-up Heat Requirements . . . . .	23
Appendix H - Wiring Diagrams . . . . .	24-29
Warranty . . . . .	30

# 1. Safety Considerations

Hazards may exist within this equipment because it contains electrical and powerful moving components.

Only qualified service personnel should install or service this equipment. Untrained personnel can perform basic maintenance such as maintaining filters.

Observe precautions marked in literature and on labels attached to unit. Follow all safety codes.

Please take note that this manual uses the following symbols to emphasize particular information:

## **⚠ WARNING**

**Identifies an instruction which, if not followed, might cause serious personal injuries including possibility of death.**

## **CAUTION**

**Denotes an instruction which, if not followed, may severely damage the unit and/or its components.**

NOTE: Indicates supplementary information needed to fully complete an instruction.

### LIMITATION

NOT FOR OUTDOOR USE. Installation work and electrical wiring must be done by a qualified person in accordance with all applicable codes and standards, including fire-rated construction codes and standards.

### **⚠ WARNING**

**TO REDUCE THE RISK OF FIRE, ELECTRIC SHOCK, OR INJURY TO PERSON(S) OBSERVE THE FOLLOWING:**

1. Use this unit only in the manner intended by the manufacturer.
2. Before servicing or cleaning this unit, turn power off at service panel.
3. This unit is not designed to provide combustion and/or dilution air for fuel-burning appliances.
4. When cutting or drilling into a wall or ceiling, do not damage electrical wiring and other hidden utilities.
5. Do not use this unit with any solid-state speed control device other than those specified in section 3.1.
6. This unit must be grounded.
7. Do not install in a cooking area or connect directly to any appliances.
8. Do not use to exhaust hazardous or explosive materials and vapors.
9. When performing installation, servicing or cleaning this unit, it is recommended to wear safety glasses and gloves.
10. When applicable local regulation comprises more restrictive installation and/or certification requirements, the aforementioned requirements prevail on those of this document and the installer agrees to conform to these at his own expenses.

### CAUTION

1. To avoid prematurely clogged filters, turn the unit OFF during construction or renovation. Do not use the unit when sanding drywall. Certain types of dust and vapors may damage the system.
2. Please read specification label on product for further information and requirements.
3. Be sure to duct air outside – Do not intake/exhaust air into spaces within walls or ceiling or into attics, crawl spaces, or garage. Do not attempt to recover the exhaust air from a dryer or a range hood.
4. Do not run any air ducts directly above or within 2 ft (0.61 m) of a furnace or its supply plenum, boiler, or other heat producing appliance. If a duct has to be connected to the furnace return plenum, it must be connected 10' (3.1 m) away from plenum's connection to the furnace.
5. The ductwork is intended to be installed in compliance with all applicable local and national codes.
6. When leaving the building for a long period of time (more than two weeks), a responsible person should regularly check if the unit operates adequately.
7. If the ductwork passes through an unconditioned space (e.g.: attic), the unit must operate continuously except when performing maintenance and/or repair. Also, the ambient temperature of the building should never drop below 18°C (65°F).
8. At least once a year, the unit mechanical and electronic parts should be inspected by qualified service personnel.
9. Make sure at all times that the outside intake and exhaust hoods are free from any snow during the winter season. It is important to check the unit during a big snow storm, so it doesn't draw in any snow. If this is the case, please turn the unit OFF for a few hours.

## 2. Installation

### 2.1 Inspection

Inspect the exterior of the unit for shipping damage by ensuring that there is no damage to the door, door latches, door hinges, damper, duct collars, cabinet, etc. Inspect the interior of the unit for damage by ensuring that the fan motors and housings, heat or energy recovery cores, insulation, dampers, actuators and drain pans are all intact.

If transportation damage is found, file a claim immediately with the transportation agency. Remove all packaging, tape, etc. from the cabinet.

### 2.2 Mounting Location Requirements

When determining an installation location, the unit must be mounted in a heated area to prevent condensate drain lines from freezing. The mounting location should be away from occupied areas to provide quiet operation. The area should also be easily accessible for maintenance.

NOTE: These units have minimum clearance requirements when mounting. See Appendix B for specific clearance requirements. Mounting options must allow 12" (305 mm) clearance in front of control cover for access.

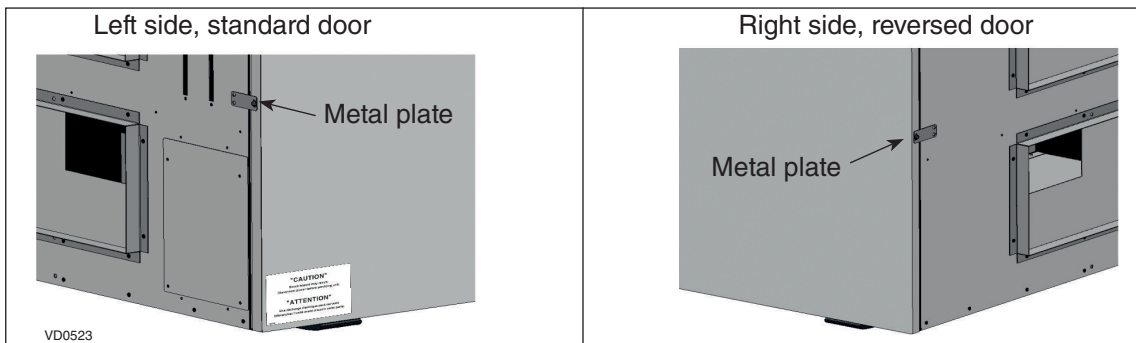
A mounting location close to an exterior partition will minimize the length of insulated duct. The unit should be close to a drain and 120 volt, 60 Hz power supply. The unit should be mounted away from hot chimneys, electrical panels and other hazards.

### **⚠ WARNING**

**To reduce the risk of injury caused by sharp edges and/or moving parts, it is recommended to wear safety glasses and gloves while performing these instructions.**

### 2.3 Mounting Options

NOTE: On 6LC, V6LC, 12LC and V12LC units, remove and discard the metal plate screwed on the unit to prevent the door from opening during transport.



There are several options for hanging or floor mounting the unit.

NOTE: In all cases, the unit must be level. Consult local building code for restrictions in your area regarding installation.

Hang the unit with the reinforced rubber straps provided as shown in Appendix A. Check with local building codes regarding the use of rubber straps in commercial buildings. Attach the straps to the unit with two no. 8 screws provided. Then attach the other end of the strap to the ceiling joists, trusses, custom frame, etc.

The unit can also be hung with 3/8" (10 mm) threaded rod and U channels or angles (not supplied) as shown in Appendix A.

When installing the unit, keep in mind that access to the control panel may be required. Supply and exhaust ducts to outdoors may have 1" to 2" (25 mm to 51 mm) of insulation on them. Rubber vibration isolation may be required and is recommended for quiet operation.

The unit can also be mounted on a metal or wooden curb (not supplied) bolted to the floor as shown in Appendix A. Space must be left under the unit to allow connection of drain lines. A gradual slope is required for the condensate water to drain by gravity (minimum 1/4"/foot (6 mm/305 mm)). If this is not possible, a pump should be used. If attachment of the unit to the curb is required, ensure that screws, bolts and mounting hardware do not interfere with moving parts or that the integrity of the cabinet insulation is not affected.

### 2.4 Ductwork

The supply and exhaust duct connections on the unit are as follows:

UNIT	DUCT SIZE
6LC, V6LC, 7000	14" x 8" (356 mm x 203 mm)
12LC, V12LC	20" x 8" (508 mm x 203 mm)

NOTE: Duct sizes are for connection purposes only. Ducts should be sized to keep noise and pressure drop to a minimum.

The supply and exhaust ducts connected to outdoors, as well as any ducts passing through an unconditioned space, must have a minimum insulation value of R5. In addition, a continuous integral vapor barrier over the duct insulation must be used.

## 2. Installation (cont'd)

### 2.4 Ductwork (cont'd)

Air balancing dampers are recommended for both supply and exhaust ducts to allow for adjustment of airflow. Also, flexible canvas connectors should be installed close to the unit in the supply duct to the building and the exhaust duct from the building to reduce noise transmission from the unit to the building, see Appendix C.

All ports on the 6LC, V6LC, 12LC and V12LC units have 1" (25 mm) flanges to facilitate the installation of the ductwork. Please note that the "Fresh Air from Outdoors" port has a defrost damper incorporated with it.

Ensure that any mechanical fasteners used to connect the duct do not interfere with the operation of the damper. **Screws can be installed on the side of the cabinet rather than the flange for this port only.** For port locations see Appendix B.

All ports on the 7000 unit have 2" (51 mm) flanges to facilitate the installation of the ductwork. Please note the "Fresh Air From Outdoors" connection is factory set to be the left side upper port. It is possible to reverse the operation of the defrost damper in order to use the port on top of the cabinet for "Fresh Air From Outdoors" connection.

To change the «Fresh Air From Outdoors» from the side to the top use the following directions. For port locations see Appendix B.

Remove the cover of the damper motor with a flat screwdriver. Reverse the ORANGE and RED wires by moving the ORANGE from terminal no. 2 to terminal no. 3 and moving the RED wire from terminal no. 3 to terminal no. 2. The end result in order to have the "Fresh Air From Outdoors" connection to the top port will be: no. 1 - WHITE, no. 2 - RED, no. 3 - ORANGE.

### 2.5 Internal Grilles and Diffusers

Locate exhaust grilles and supply diffusers to provide effective ventilation and avoid short circuiting of airflows. Adjustable dampers should be provided at every grille and diffuser location to make balancing of the system possible.

A proper selection of style and size of grilles and diffusers is required to minimize pressure drop. The velocity of the airflow should not exceed 400 ft./min. (2 m/sec.) for normal applications.

The duct system should be designed according to the high speed flow rate of the unit. In order to keep the noise and pressure drop to a minimum, a maximum air velocity of 1100 ft./min. (5.6 m/sec.) should be used in calculations in duct design. The duct runs should be kept as short as possible with the minimum amount of elbows and transitions.

The manufacturer recommends the use of smooth radius elbows or square elbows with turning vanes to achieve maximum performance.

### 2.6 Exterior Hoods

It is important that the fresh air intake hood be positioned well away from any source of contamination. The exterior supply and exhaust hoods must be separated enough to prevent cross-contamination and at an elevation that will prevent blockage by snow, dirt and leaves.

NOTE: Consult local building code for restrictions in your area.

A rodent screen with 1/4" (6 mm) mesh must be installed to prevent the intake of large debris and animals. A backdraft damper may need to be installed in the exhaust duct to prevent cold air entering the building if the unit is to be shut off for a long period of time.

To maintain optimum airflow performance, exterior hood selection must be such that the minimum free area of opening is as follows: 140 inches<sup>2</sup> (0.09 m<sup>2</sup>).

### 2.7 Drains

The drain fittings provided with the unit will accept a 3/4" (19 mm) NPT coupler (supplied by others). The drain line for the unit must be fabricated on-site and connected to the building main. A loop in the hose or trap in the copper or plastic pipe must be provided to prevent sewer gases from entering the unit when connecting to a drain as illustrated in Appendix D.

NOTE: Consult local building code for plumbing requirements in your area. If copper pipe is to be used, ensure not to solder to the 3/4" (19 mm) coupler while it is attached to the plastic drain fitting as deformation may occur. Ensure adequate slope is present to allow good drainage (minimum 1/4" per foot or 6 mm per 305 mm).

### 2.8 Electrical Connections

#### POWER

A terminal block and strain relief bushing or a junction box is provided for line voltage to make the necessary power connections.

The electrical requirements are as follows:

	6LC, V6LC	7000	12LC, V12LC
VOLTAGE	120 V	120 V	120 V
MCA	9.50 A	6.63 A	14.30 A
MOP	15.00 A	15.00 A	20.00 A

## 3. Controls

### 3.1 General Information

#### **FAN INTERLOCK RELAY OUTPUT (FF)**

External fan control can be achieved by connecting an external 24 volts fan control through dry contacts (FF). These contacts are closed on a call for ventilation or defrost. See wiring diagram shown in Appendix E.

#### **SPEED SELECTION (6LC, V6LC /12LC, V12LC UNITS ONLY)**

There are three speed settings available with the controls, only two of which can be functional at any one time. The units are factory set to use the low and high speed taps on the blower motors. If necessary, the medium speed tap can be used instead of the low speed tap. See wiring diagrams for instructions on how to make this change. Units without the remote wall control option can be shut off by opening the contact between LOW - COM or HIGH - COM as shown in Appendix E-2.

### 3.2 Sequence of Operation

Before start-up, check the unit for obstructive packaging, objects near or in blowers, dampers, heat exchangers, etc. Once installation is complete, check all modes of operation to ensure that the unit is working properly. Close the doors and check for operation on LOW, COM and HIGH. Use a wall control or the dry contact switching to run fan speeds as shown in Appendix E-2.

The 7000 unit is two speed. Low speed can be initiated by creating a closure across LOW - COM or high speed can be initiated by creating a closure across HIGH - COM.

#### **UNIT CHECK POINTS (ALL UNITS):**

- Power connected, no ventilation call - Both fans are off, defrost damper (if equipped) closes off fresh air from outdoors.
- Power connected, low speed call - Both fans on low speed internal defrost damper (if equipped) opens fresh air from outdoors. For 6LC, V6LC, 12LC and V12LC units only, if equipped with recirculation module, the internal defrost damper closes recirculation opening.
- Power connected, high speed call - Both fans on high speed, defrost damper opens fresh air from outside. For 6LC, V6LC, 12LC and V12LC units only, if equipped with recirculation module, the internal defrost damper closes recirculation opening.
- Power connected, occupied timer/sensor connection open (unoccupied mode) - Both fans are off, defrost damper closes fresh air from outdoors. For 6LC, V6LC, 12LC and V12LC units only, if equipped with recirculation module, the internal defrost damper opens recirculation opening.
- Power connected, FF control contacts close during unit ventilation or defrost cycle.

### 3.3 Defrost

The unit functions are controlled by integrated controls in the unit which may include Exhaust Only Defrost or Recirculation Defrost (via the recirculation module - 6LC, V6LC, 12LC and V12LC units only). In cold temperatures, defrost cycles will remove frost from the heat recovery core to maintain good operation.

#### **EXHAUST ONLY DEFROST (OPTIONAL)**

Frost removal occurs when the supply blower de-energizes, the supply air damper and the core damper close and the exhaust fan continues to circulate only warm inside air through the heat recovery core or energy recovery core to maintain ventilation. This process prevents the build up of ice in the core. Defrost is temperature initiated at 23°F to -22°F (-5°C to -30°C) and time based.

### **⚠ WARNING**

**A negative building pressure may develop during the defrost cycle with possible back drafting fumes from combustion equipment, which may have severe health consequences.**

#### **RECIRCULATION DEFROST MODULE (OPTIONAL - FACTORY INSTALLED)**

The Recirculation Defrost Module is only available with the 6LC, V6LC, 12LC and V12LC units. The defrost cycle is electronically controlled in response to the outdoors temperature 23°F to -22°F (-5°C to -30°C). On a call for defrost, the supply air damper in the recirculation module closes, exhaust fan is de-energized and the supply fan continues to recirculate warm air through the heat recovery core or energy recovery core. It is possible to extend the defrost times during very cold weather by removing the jumper JU1-F on the circuit board as shown in Appendix F. For dimension and weight changes to the 6LC, V6LC, 12LC and V12LC models with recirculation defrost, see Appendix B-2 and B-4.

### 3.4 Remote Wall Control (Optional)

Remote mounted wall control options can be used to control the ventilators from a location remote to the installed unit location. The connection from the ventilator to the control is low voltage and requires a 4 conductor (24 ga. minimum) LVT cable. Models are available with a dehumidistat control. The following two options are available.

#### **SLIDE SWITCH TYPE**

Dehumidistat to engage high speed exchange. Slide switch operation supporting continuous low exchange and continuous high exchange.

#### **POOL ELECTRONIC TYPE (FOR 7000 UNIT ONLY)**

Ideal for pool dehumidification. Dehumidistat to engage high speed exchange. Push-button operation supporting: intermittent (stand-by) ventilation, continuous low exchange, continuous high exchange, maintenance indicator light and exchange indicator light.



## 4. Airflow Measurement and Balancing

Once installation is complete, the supply and exhaust airflows should be balanced. This will ensure proper operation and a good quality installation.

A well designed duct system with properly sized duct runs and equal static pressure losses of both the supply and exhaust will aid in balancing the unit. However, it will be necessary to take flow measurements with the proper equipment to ensure a balanced system.

Before proceeding with balancing, all windows, overhead doors and walk-in doors should be closed and exhaust systems should be turned off.

## 5. Maintenance

### 5.1 Bi-Monthly Maintenance

#### **⚠ WARNING**

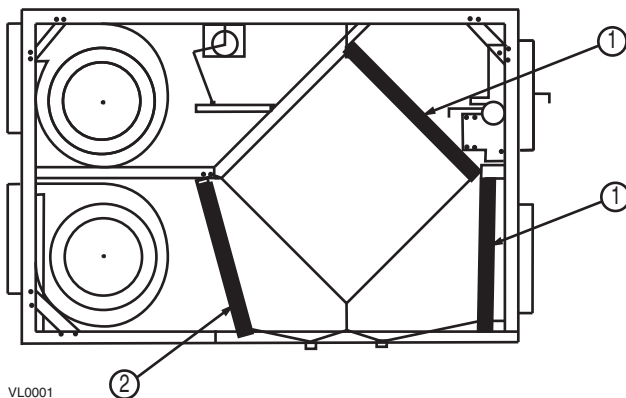
**Risk of electric shocks. Before performing maintenance, always stop the unit, then turn power off at service panel. The wearing of safety glasses and gloves is recommended when handling unit components to prevent injuries caused by sharp edges.**

Bi-monthly maintenance should include:

#### **AIR FILTERS**

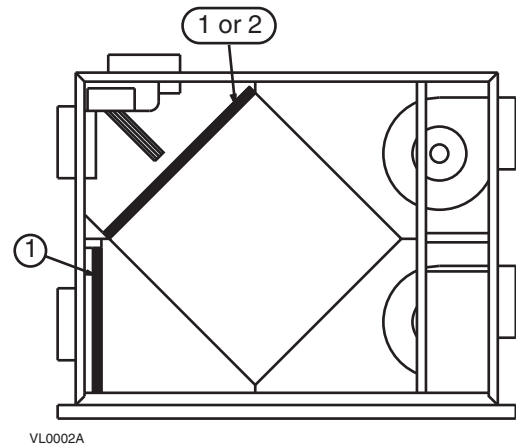
The standard foam filters are washable. Under normal conditions it is recommended that they be cleaned every two months. More frequent cleaning may be required under extremely dirty operating conditions. Use a vacuum cleaner to remove the heaviest portion of accumulated dirt, then wash with warm water.

A medium efficiency filter for the supply air stream is available from your supplier. This filter is disposable and should be replaced when it becomes dirty.



**6LC, V6LC, 12LC and V12LC units**

- ① Washable foam filters
- ② MEF filter - optional



**7000 unit**

- ① Washable foam filters
- ② MEF filter - optional

#### **DRAIN PANS AND INTERIOR OF UNIT**

With the filters removed from the unit, the foil faced insulation surfaces and the drain pans should be wiped clean with a soft cloth and mild cleaning solution. Also ensure that the drain fittings are free from dirt and are draining freely.

## 5. Maintenance (cont'd)

### 5.2 Annual Maintenance

#### WARNING

**Risk of electric shocks. Before performing maintenance or repairs, always stop the unit, then turn power off at service panel. The wearing of safety glasses and gloves is recommended when handling unit components to prevent injuries caused by sharp edges.**

Annual maintenance should include:

#### AIR FILTERS

Vacuum and wash standard foam filters. Replace medium efficiency filter if present.

#### DRAIN PANS AND INTERIOR OF UNIT

Wash the foil faced insulation surfaces and wipe the drain pans with a soft cloth and mild cleaning solution. Check the drain fittings to ensure they are draining freely.

#### RECOVERY CORE

The recovery core must be handled with care. It is recommended that it be washed once a year following the season of most intense use, in order to ensure maximum efficiency of the partitions.

HEAT RECOVERY CORE	ERV HM CORE
<b>CAUTION</b>	<b>CAUTION</b>
Hot water and a strong cleaning agent could damage the polypropylene core. Ensure the core is returned to the unit in the correct orientation. Use the sticker as a guide.	Do not soak the ERV HM core in water. This core can easily be damaged especially if it is soaked.
Allow the heat recovery core to soak for three hours in warm water and mild soap. Rinse under a heavy stream of water.	For ERV HM core, use a vacuum cleaner or low pressure air jet. It is not recommended to use solvents or detergents as these may damage the media or structure of the core.

#### FANS

Blower wheels and fan housing should be checked for dirt build-up. If they appear dirty, it may be necessary to remove the blower assembly and then vacuum the dust out through the fan mouth. See next page for instructions on removing the blower assembly.

## 6. Service

### 6.1 Parts Replacement

#### WARNING

**High voltage, risk of electric shocks. Only qualified service personnel should service this equipment. The wearing of safety glasses and gloves is recommended since a few diagnosis procedures may require the unit to be in operation while proceeding. Be careful with moving and live parts to prevent injuries.**

#### SYSTEM OPERATION CHECK

Verification of all control modes should be checked to ensure proper operation. Refer to 3.2 Sequence of Operation section.

#### TESTING AND REPLACEMENT OF THE DAMPER ACTUATOR

Check damper operation by switching between LOW - COM or HIGH - COM on the dry contact terminal or by switching through the modes on the optional remote wall control. If the damper does not respond in one or both directions, check all connections.

**7000 unit ONLY:** Check for 24 volt output between the WHITE/RED and the WHITE/ORANGE wires at the damper motor. If 24 volts can be measured at the damper motor, the problem is either in the connections, the defrost relay or the main circuit board.

**6LC, V6LC/12LC, V12LC units ONLY: (CAUTION: 120 VAC)** Check for 120 volt output across the WHITE/BLACK wires. If 120 volts can be measured at the motor, replace the motor. If 120 volts cannot be measured at the motor, check pins J1-9 at the printed circuit board.

#### MAIN CIRCUIT BOARD REPLACEMENT

The main circuit board must be replaced if an electronic problem arises. For example, the unit suddenly stops, the unit stays in defrost all of the time or if control functions are not working properly. Ensure that power is reaching the board. Test the blower motors and damper actuators for operation when directly connected to the appropriate power voltage. If the motor and damper actuators function normally, replace the main circuit board.



## 6. Service (cont'd)

### 6.1 Parts Replacement (cont'd)

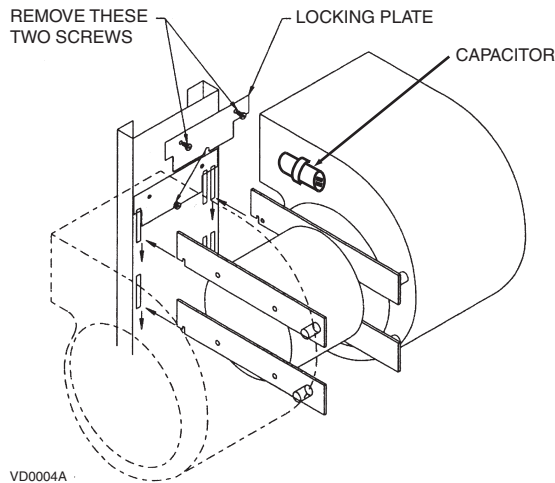
#### MOTOR AND BLOWER REMOVAL AND INSTALLATION

Disconnect power from the unit. To determine if the fan motor is burned out, disconnect the four-wire service connector between the motor and cabinet. Connect the motor directly to a 120 volts power source with an electrical cable, as follows:

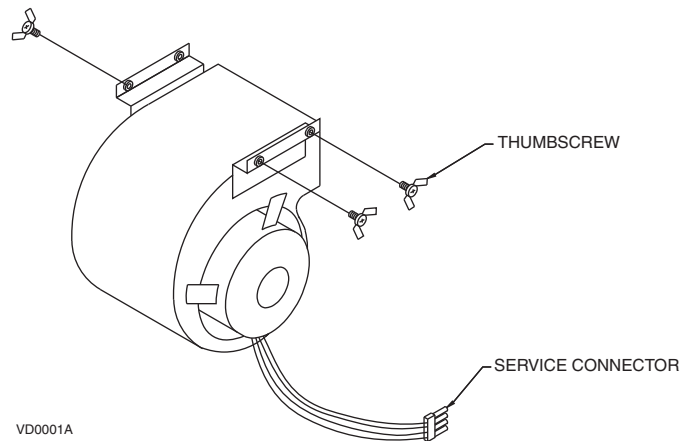
RED + WHITE	Low speed
BLUE + WHITE	Medium speed
BLACK + WHITE	High speed

If the motor functions normally, there is a problem with the wiring connections or the main circuit board. Check all wiring and replace main circuit board if necessary.

If the blower does not run, it must be replaced. To replace the motor, remove the recovery core from the unit. Disconnect the four-wire service connector from the unit. Remove the fasteners holding the motor assembly in place. Lift the assembly up and out, using one hand under the motor and one hand to steady it. Remove the assembly carefully from the unit to avoid damage to the insulation, shelf, etc. Install the repaired motor assembly by following these instructions in reverse.



6LC, V6LC, 12LC and V12LC units



7000 unit

### 6.2 Troubleshooting

#### ⚠ WARNING

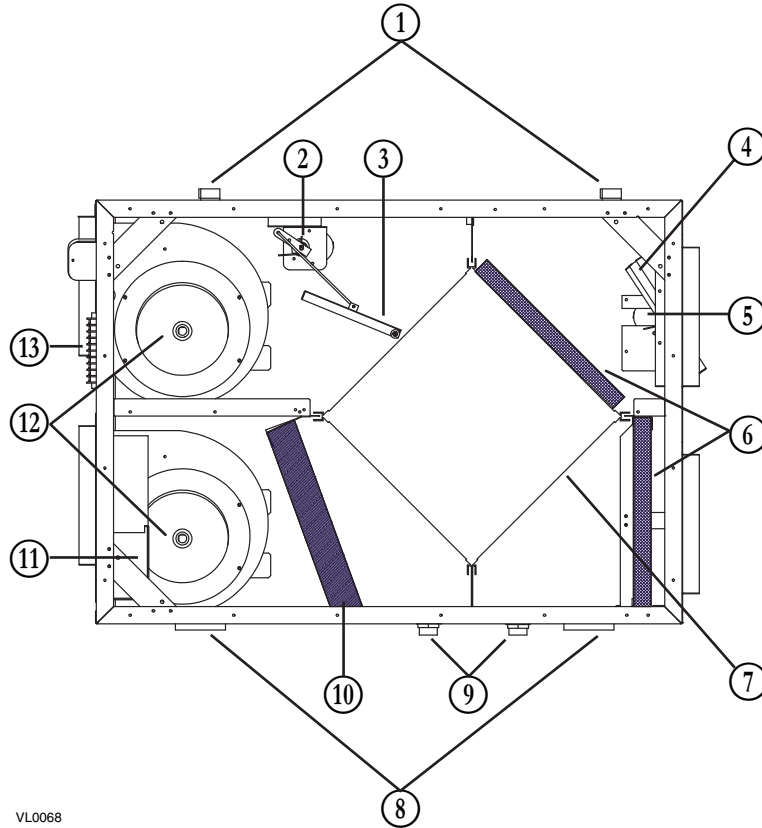
The wearing of safety glasses and gloves is recommended since a few diagnosis procedures may require the unit to be in operation while proceeding. Be careful with moving and live parts to prevent injuries.

SYMPTOMS	POSSIBLE CAUSES	SOLUTIONS
Inside air is too dry.	Over ventilation - speed setting too high. Dehumidistat setting is too low.	Adjust speed setting. Set dehumidistat control in a higher position (if applicable).
Persistent condensation on windows, walls, ceilings, etc.	Improper adjustment of dehumidistat control. Improper ventilation rate. Window frame is too cold or leaky.	Adjust dehumidistat control knob to a lower setting. Install a dehumidistat (option). Repair window frame.
Unit stops functioning.	Electrical supply interrupted.	Check the unit circuit breaker.
Air from supply diffusers too cold.	Imbalance of supply and exhaust air.  Outdoor temperature very cold.	Check filters and cores for blockage. Check balance of airflows. Install electric duct heater if necessary.
Unit makes annoying noise.	Blower wheel out of alignment.	Remove the motor/blower assembly and adjust blower wheel.
Core freezing up.	Imbalance of supply and exhaust air.  Defrost damper not functioning.	Check filters and cores for blockage. Check balance of airflows. Check for operation of both defrost damper actuators.

For technical assistance and warranty information, please call your local supplier.

## 7. Service parts

### 7.1 6LC, V6LC-12LC, V12LC Exhaust Defrost



VL0068

Ref.	Part No.	Description
①	13036	Hinge kit (male-female)
②	1808139	Core Defrost Actuator 6LC, V6LC-12LC, V12LC
	63341	Core Defrost Actuator 12LC, V12LC, Powder Coated
③	63327	Core Damper 6LC, V6LC
	63328	Core Damper 12LC, V12LC
	63329	Core Damper 12LC, V12LC, Powder Coated
④	201982	Fresh Air Damper 6LC, V6LC
	63330	Fresh Air Damper 12LC, V12LC
	63331	Fresh Air Damper 12LC, V12LC Powder Coated
⑤	1808138	Fresh Air Damper Act. 6LC, V6LC-12LC, V12LC
	63332	Fresh Air Damper Actuator 12LC, V12LC Powder Coated
⑥	201805	Filter SWF 13.125" x 11.25" x 1" (unitary)
⑦	1808147	Core Poly CSA 6LC, V6LC-12LC, V12LC (unitary)
	1808146	Core Poly UL 6LC, V6LC-12LC, V12LC U.S. only (unitary)
	1604191	Core Aluminum 6LC, V6LC-12LC, V12LC (unitary)
	1607787	ERV HM Core 6LC, V6LC-12LC, V12LC (unitary)
⑧	16035	Door Latch-Keeper Kit
⑨	1607456	Drain Fitting 6LC, V6LC, 12LC, V12LC, 7000 (unitary)
⑩	63342	Optional MERV8 Filter for 6LC, V6LC, 12LC, V12LC (unitary)

Ref.	Part No.	Description
⑪	1808130	PCB Electronic 6LC, V6LC, 12LC, V12LC, 7000
	202382	Thermistor 6LC, V6LC, 12LC, V12LC, 7000
	500025914	Relay SPDT 120 VAC, 1 HP, 30 A @ 120 VAC, 6LC, V6LC, 12LC, V12LC
	500025915	Relay DPST 120 VAC, 1 HP, 30 A @ 120 VAC, 6LC, V6LC, 12LC, V12LC
⑫	1808144	Blower Ass'y 6LC, V6LC
	1808148	Blower Ass'y 12LC, V12LC
	1808148P	Blower Ass'y 12LC, V12LC Powder Coated Option
	1808142	Blower Wheel 6LC, V6LC, 12LC, V12LC (not shown)
	1808149	Fan Motor 6LC, V6LC (not shown)
	1808150	Fan Motor 12LC, V12LC (not shown)
⑬	63110	Capacitor 5 μF LC, 7000 (not shown)
	208507	Terminal Strip 10-Pin Molex 38721-6710, 6LC, V6LC, 12LC, V12LC
*	202798	Door Assembly 6LC, V6LC, 12LC, V12LC
*	63343	Door Assembly 12LC, V12LC (Powder Coated Option)
*	1808145	Accessories kit 6LC, V6LC, 12LC, V12LC
*	63344	Hanger Strap 18" Kit 6LC, V6LC, 12LC, V12LC, 7000

\* Not Shown.

**NOTE 2:** ⑦ 2 cores required for 6LC and V6LC units  
3 cores required for 12LC and V12LC units

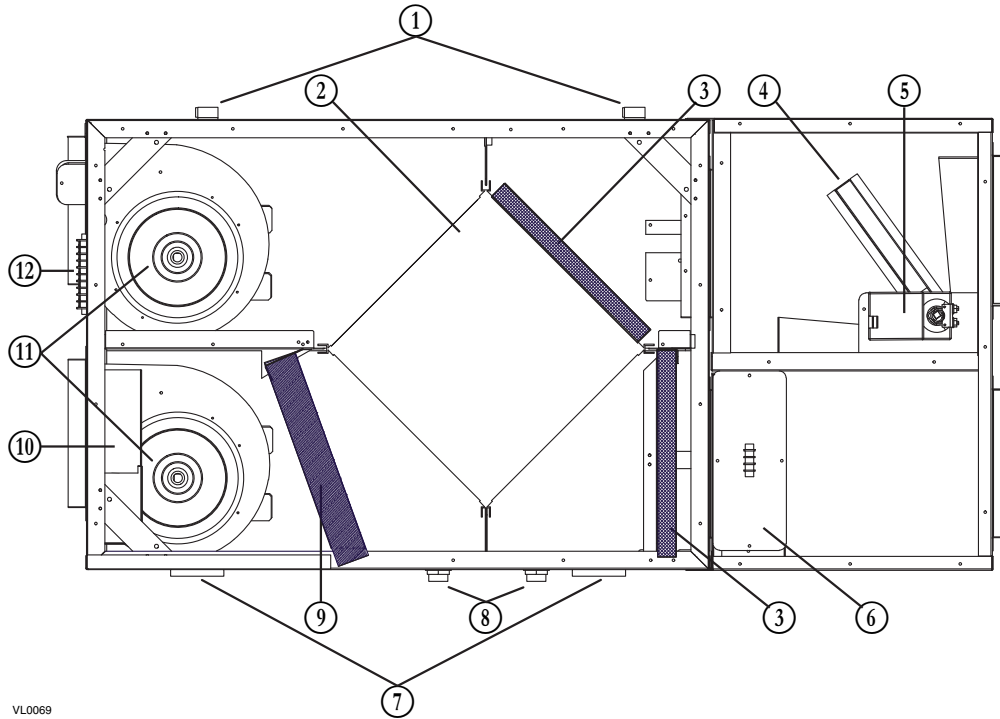
**NOTE 3:** ⑥ 4 filters for 6LC and V6LC units  
6 filters for 12LC and V12LC units

**NOTE 4:** ⑩ 2 filters for 6LC and V6LC units  
3 filters for 12LC and V12LC units

**NOTE 1:** ② and ③ not available for ERV HM Core

## 7. Service parts (cont'd)

### 7.2 6LC, V6LC-12LC, V12LC Recirculation Defrost



Ref.	Part No.	Description
①	13036	Hinge kit (male-female)
②	1808147	Core Poly CSA 6LC, V6LC-12LC, V12LC (unitary)
	1808146	Core Poly UL 6LC, V6LC-12LC, V12LC U.S. only (unitary)
	1604191	Core Aluminum 6LC, V6LC-12LC, V12LC (unitary)
	1607787	ERV HM Core 6LC, V6LC-12LC, V12LC (unitary)
③	201805	Filter SWF 13.125" x 11.25" x 1" (unitary)
④	63333	Recirculation Damper 6LC, V6LC
	63334	Recirculation Damper 12LC, V12LC
	63335	Recirculation Damper 12LC, V12LC Powder Coated
⑤	225855	Damper Motor Belimo LMB24-3-T, 7000, 6LC, V6LC-12LC, V12LC (Recirc. Defrost Option)
⑥ *	201603	Terminal Strip 3-Pin Molex 38721-6703 6LC, V6LC, 12LC, V12LC (Recirculation Defrost)
	63352	Relay DPDT 24 VAC, 1/2 HP, 15 A @ 120 VAC, 6LC, V6LC, 12LC, V12LC (Recir. Defrost Option)
	500025914	Relay SPDT 120 VAC, 1 HP, 30 A @ 120 VAC, 6LC, V6LC, 12LC, V12LC
	64098	Transformer 120-24V 40VA
⑦	16035	Door Latch-Keeper Kit
⑧	1607456	Drain Fitting 6LC, V6LC, 12LC, V12LC, 7000 (unitary)
⑨	63342	Optional MERV8 Filter for 6LC, V6LC, 12LC, V12LC (unitary)

\* Not Shown.

**NOTE 1:** ② 2 cores required for 6LC and V6LC units  
3 cores required for 12LC and V12LC units

**NOTE 2:** ③ 4 filters for 6LC and V6LC units  
6 filters for 12LC and V12LC units

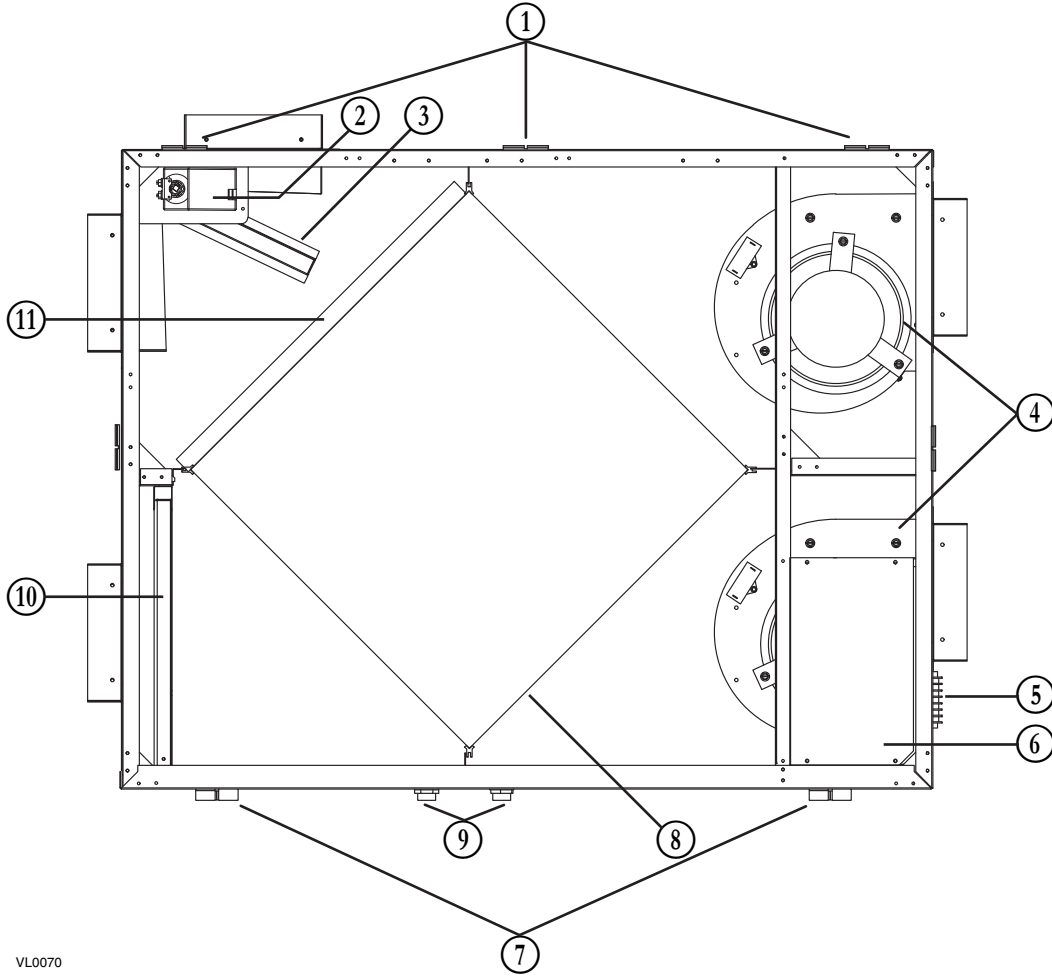
Ref.	Part No.	Description
⑩ *	1808130	PCB Electronic 6LC, V6LC, 12LC, V12LC, 7000
	202382	Thermistor 6LC, V6LC, 12LC, V12LC, 7000
	500025914	Relay SPDT 120 VAC, 1 HP, 30 A @ 120 VAC, 6LC, V6LC, 12LC, V12LC
	500025915	Relay DPST 120 VAC, 1 HP, 30 A @ 120 VAC, 6LC, V6LC, 12LC, V12LC
⑪	1808144	Blower Ass'y 6LC, V6LC
	1808148	Blower Ass'y 12LC, V12LC
	1808148P	Blower Ass'y 12LC, V12LC Powder Coated Option
	1808142	Blower Wheel 6LC, V6LC, 12LC, V12LC (not shown)
	1808149	Fan Motor 6LC, V6LC (not shown)
	1808150	Fan Motor 12LC, V12LC (not shown)
	63110	Capacitor 5 $\mu$ F LC, 7000 (not shown)
⑫	208507	Terminal Strip 10-Pin Molex 38721-6710, 6LC, V6LC, 12LC, V12LC
*	202798	Door Assembly 6LC, V6LC, 12LC, V12LC
*	63343	Door Assembly 12LC, V12LC (Powder Coated Option)
*	1808145	Accessories kit 6LC, V6LC, 12LC, V12LC
*	63344	Hanger Strap 18" Kit 6LC, V6LC, 12LC, V12LC, 7000
*	64228	Backdraft damper 6LC, V6LC recirculation
*	64229	Backdraft damper 12LC, V12LC recirculation

\* Not Shown.

**NOTE 3:** ⑨ 2 filters for 6LC and V6LC units  
3 filters for 12LC and V12LC units

## 7. Service parts (cont'd)

7.3 7000



VL0070

Ref.	Part No.	Description
①	16035	Door Latch-Keeper kit
②	225855	Damper Motor Belimo LMB24-3-T, 7000, 6LC, V6LC-12LC, V12LC (Recirculation Defrost Option)
③	1604178	Fresh Air Damper
④	1604168	Blower Ass'y 7000
	1604177	Blower Wheel (not shown)
	1604169	Fan Motor 7000 (not shown)
	63110	Capacitor 5 $\mu$ F LC, 7000 (not shown)
⑤	202790	Terminal Strip 7-Pin Molex 38721-6707, 7000
⑥ *	1808130	PCB Electronic 6LC, V6LC, 12LC, V12LC, 7000
	202382	Thermistor 6LC, V6LC, 12LC, V12LC, 7000
	63117	Transformer 7000
	63345	Relay DPDT 120VAC, 1/2HP, 15A @ 120VAC, 7000, 6LC, V6LC, 12LC, V12LC
	SV63117B	Relay DPST 120 VAC, 1 HP, 30 A @ 120 VAC, 7000

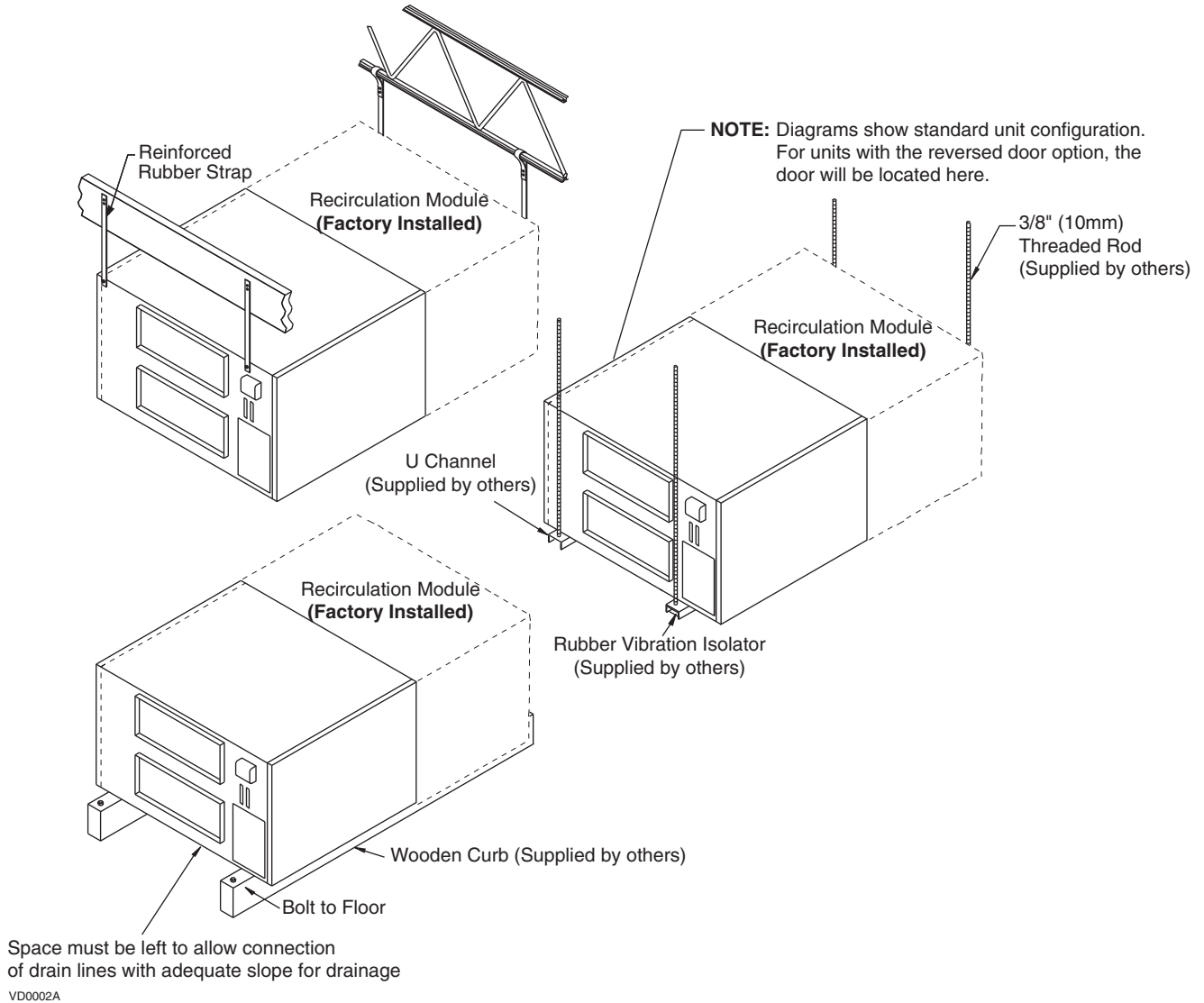
Ref.	Part No.	Description
⑦	13036	Hinge Kit (male-female)
⑧	1604156	Core Poly CSA 7000
	1604190	Core Poly UL 7000 U.S. only
⑨	1607456	Drain Fitting 6LC, V6LC, 12LC, V12LC, 7000 (unitary)
⑩	134147	Filter SWF 18.6" x 15.6" x 1" 7000 Exhaust (unitary)
⑪	134145	Filter SWF 19" x 22.75" x 1" 7000 Supply (unitary)
*	1608701	Optional MERV 7 Filter, 7000 Supply (unitary)
*	1804103P	Door Ass'y 7000 (Powder Coated option)
*	027123	Anti-vibration Bushing 7000 (unitary)
*	63344	Hanger Strap 18" Kit 6LC, V6LC, 12LC, V12LC, 7000

\* Not Shown.

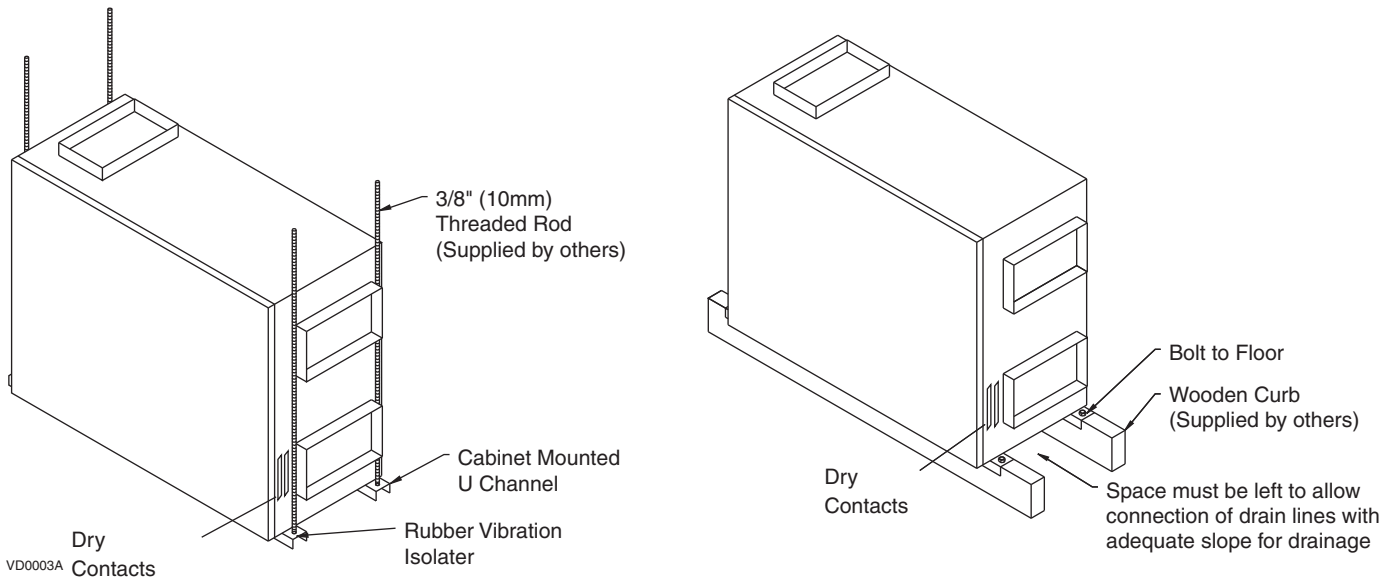
# Appendix A

## MOUNTING DIAGRAMS

### 6LC, V6LC, 12LC AND V12LC UNITS



### 7000 UNIT

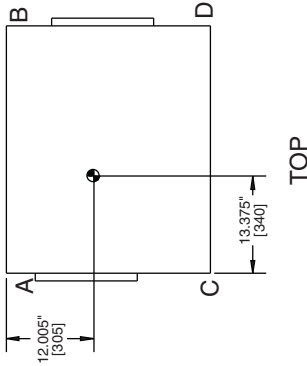


# Appendix B

## UNIT DIMENSIONS

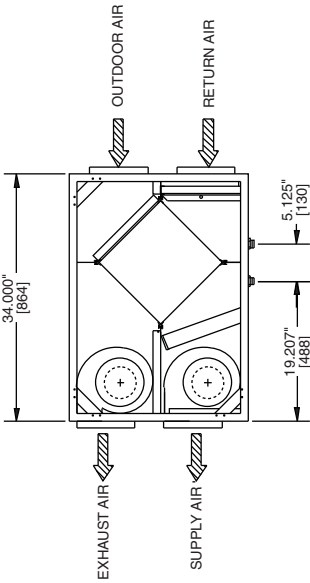
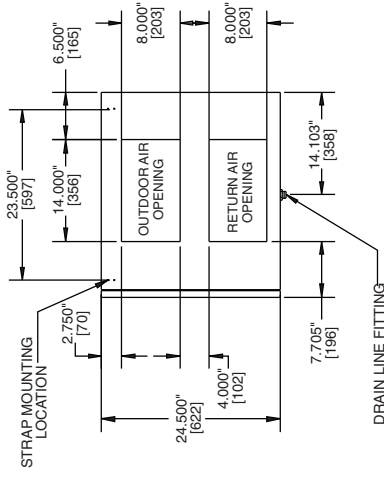
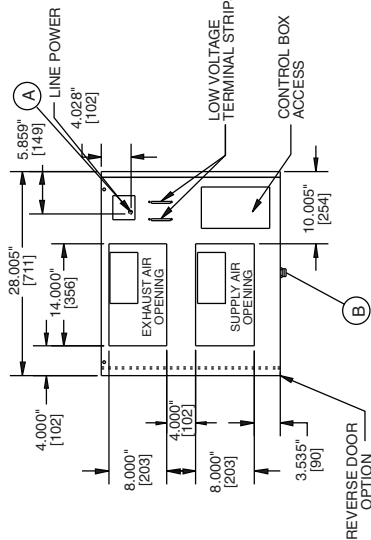
### B-1: 6LC AND V6LC (WITHOUT RECIRCULATION MODULE)

NOTES:  
 Dimensions in [ ] are in millimeters  
 ● Center of gravity  
 ⇨ Direction of airflow



6LC POLY CORE		6LC ALUMINUM CORE		6LC ERV/HM CORE	
PTS	LB	PTS	LB	PTS	LB
A	38.49	A	44.21	A	40.80
B	24.96	B	28.67	B	26.52
C	51.29	C	58.82	C	54.30
D	33.28	D	38.24	D	35.31
TOTAL	148.00	TOTAL	170.00	TOTAL	156.96

CONNECTION TABLE	
CONNECTION SIZES	
①	14 Gauge wire nut
②	Condensate drain fitting (2x)
	3/4" NPT



NOTE: FOR UNITS WITH THE REVERSED DOOR OPTION, INTERIOR COMPONENTS WILL APPEAR AS A MIRROR IMAGE OF THE ABOVE DIAGRAM.

#### LEFT SIDE

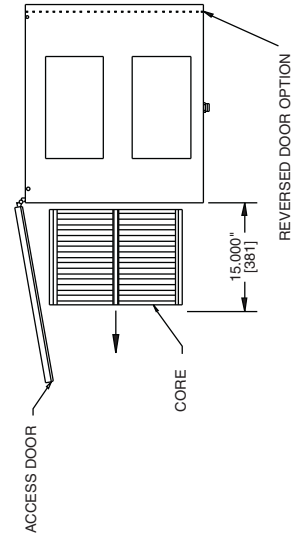
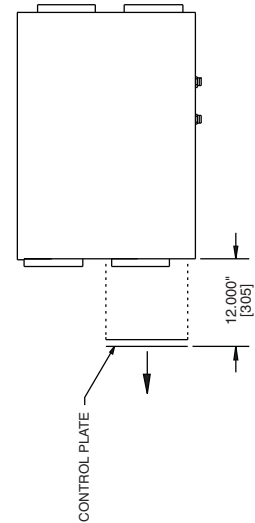
#### FRONT

#### RIGHT SIDE

NOTE: THIS MODEL HAS A DAMPER LOCATED ON THE OUTDOOR INTAKE CONNECTION. THIS DAMPER WILL CLOSE DURING A DEFROST CYCLE OR WHEN THE UNIT IS PLACED IN THE 'OFF' POSITION WITH POWER MAINTAINED TO THE UNIT. THIS DAMPER IS NOT DESIGNED AS A BACKDRAFT DAMPER AND WILL REMAIN OPEN IF POWER IS DISCONNECTED FROM THE UNIT FOR ANY REASON.

A MINIMUM OF 12.000" [305] CLEARANCE FROM ANY OBSTRUCTION IS REQUIRED FOR REMOVAL OF CONTROL BOX.

A MINIMUM OF 15.000" [381] CLEARANCE FROM ANY OBSTRUCTION IS REQUIRED FOR REMOVAL OF HEAT RECOVERY CORES, FANS, ETC. THE ACCESS DOOR CAN BE REMOVED FROM CABINET WITH ONLY 2.000" [51] OF CLEARANCE.





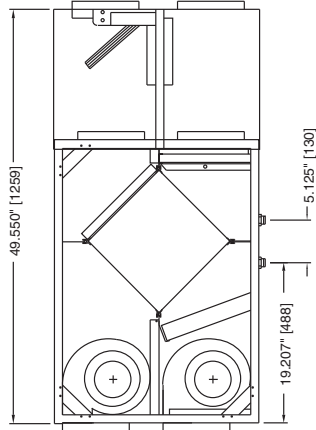
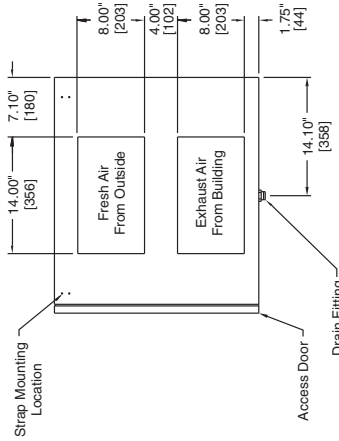
# Appendix B (cont'd)

## UNIT DIMENSIONS

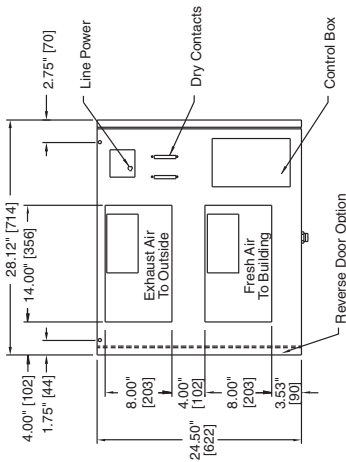
### B-2: 6LC AND V6LC WITH RECIRCULATION MODULE (FACTORY INSTALLED)

NOTE: Dimensions in [ ] are millimetres.

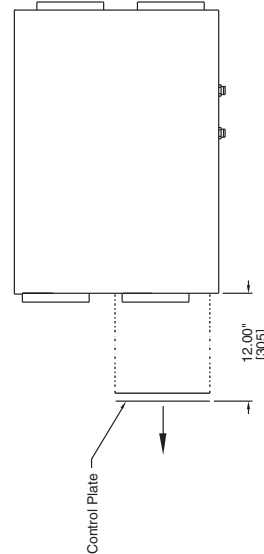
6 LC POLY CORE with recirculation module		6 LC ALUMINUM CORE with recirculation module		6 LC ERV/HM CORE with recirculation module	
P.T.S.	LB.	P.T.S.	LB.	P.T.S.	LB.
197	90	231	105	206	95
TOTAL		TOTAL		TOTAL	



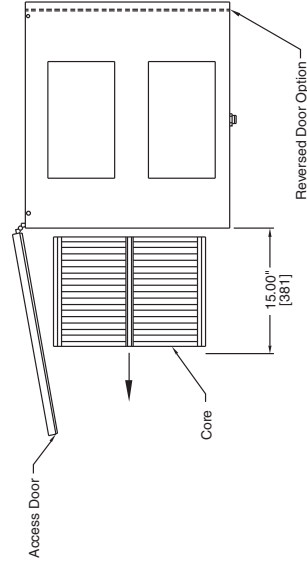
NOTE: For units with the reversed door option, interior components will appear as a mirror image of the above diagram.



A minimum of 12.00" [305] clearance from any obstruction is required for removal of control box.



A minimum of 15.00" [381] clearance from any obstruction is required for removal of heat recovery cores, fans, etc. The access door can be removed from cabinet with only 2.00" [51] of clearance.



VK0090A

# Appendix B (cont'd)

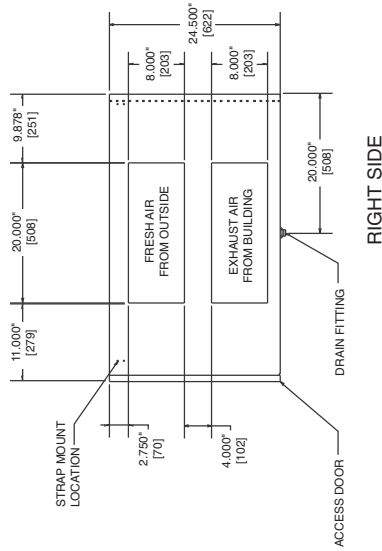
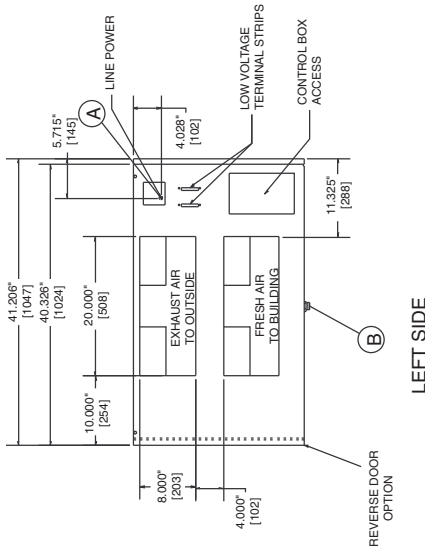
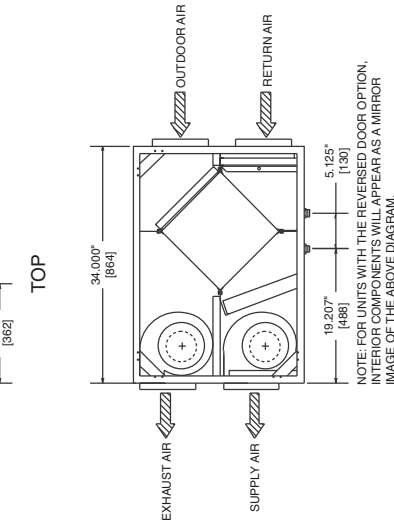
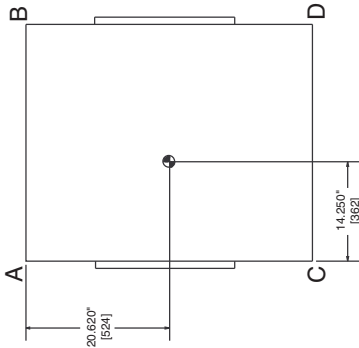
## UNIT DIMENSIONS

### B-3: 12LC AND V12LC (WITHOUT RECIRCULATION MODULE)

- NOTES:
- Dimensions in [ ] are in millimeters
  - Center of gravity
  - Direction of airflow

12 LC POLY CORE		12 LC ALUMINUM CORE		12 LC ERV/HM CORE	
PTS	LB	Kg	PTS	LB	Kg
A	54.02	24.50	A	60.41	27.40
B	38.98	17.68	B	43.59	19.77
C	54.02	24.50	C	60.41	27.40
D	38.98	17.68	D	43.59	19.77
TOTAL	186.00	84.36	TOTAL	208.00	94.34
			TOTAL	199.12	92.41

CONNECTION TABLE	
CONNECTION SIZES	
①	14 GAUGE WIRE NUT
②	CONDENSATE DRAIN FITTING (2X) 3/4" mpt



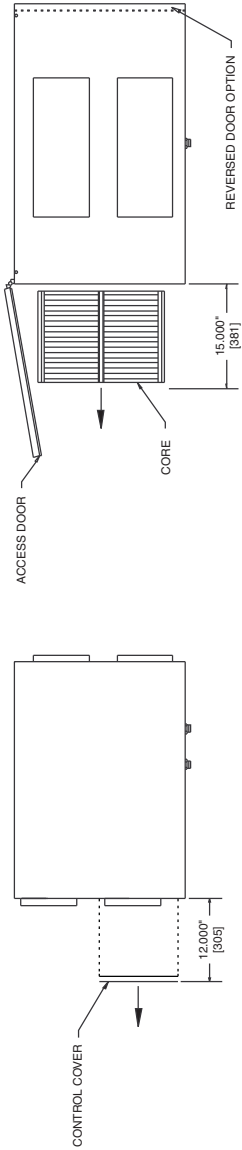
#### FRONT VIEW

#### LEFT SIDE

NOTE: THIS MODEL HAS A DAMPER LOCATED ON THE OUTDOOR INTAKE CONNECTION. THIS DAMPER WILL CLOSE DURING A DEFROST CYCLE OR WHEN THE UNIT IS PLACED IN THE 'OFF' POSITION WITH POWER MAINTAINED TO THE UNIT. THIS DAMPER IS NOT DESIGNED AS A BACKDRAFT DAMPER AND WILL REMAIN OPEN IF POWER IS DISCONNECTED FROM THE UNIT FOR ANY REASON.

A MINIMUM OF 15.000" [381] CLEARANCE FROM ANY OBSTRUCTION IS REQUIRED FOR REMOVAL OF HEAT RECOVERY CORES, FANS, ETC. THE ACCESS DOOR CAN BE REMOVED FROM CABINET WITH ONLY 2.000" [51] OF CLEARANCE.

A MINIMUM OF 12.000" [305] CLEARANCE FROM ANY OBSTRUCTION IS REQUIRED FOR REMOVAL OF CONTROL BOX.





# Appendix B (cont'd)

## UNIT DIMENSIONS

### B-5: 7000

**NOTES:**

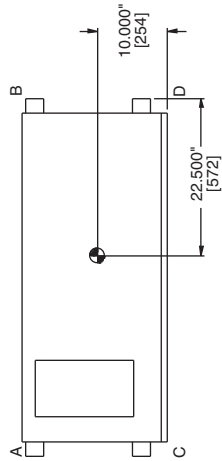
Dimensions in [ ] are in millimeters

Center of gravity

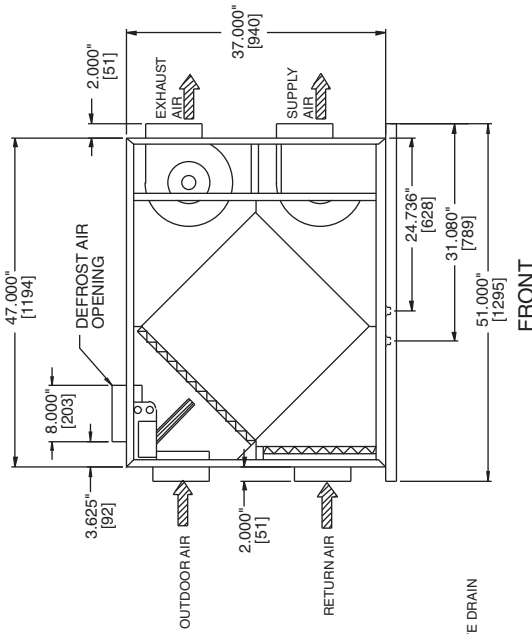
Direction of airflow

7000	
PTS	LB. / Kg
A	32.74 / 14.85
B	68.46 / 31.05
C	35.20 / 15.97
D	73.60 / 33.38
<b>TOTAL</b>	<b>210.00 / 95.25</b>

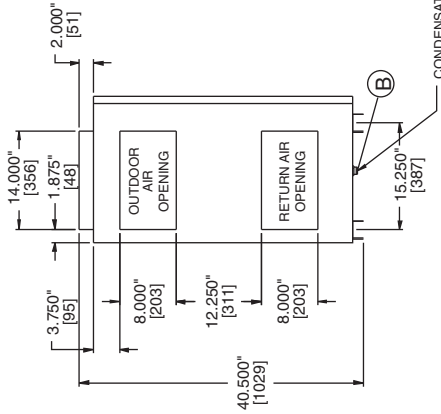
CONNECTION TABLE	
CONNECTION SIZES	
(A)	1/4 gauge wire nut
(B)	Condensate drain fitting (2x) 3/4" NPT



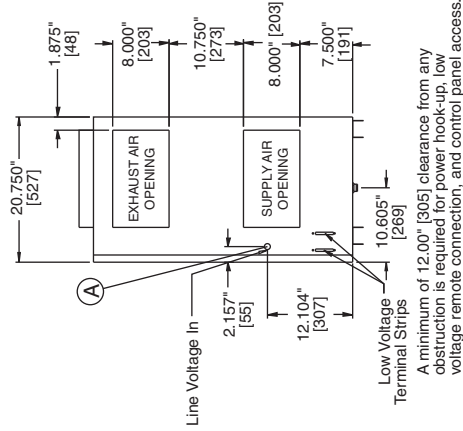
TOP



FRONT

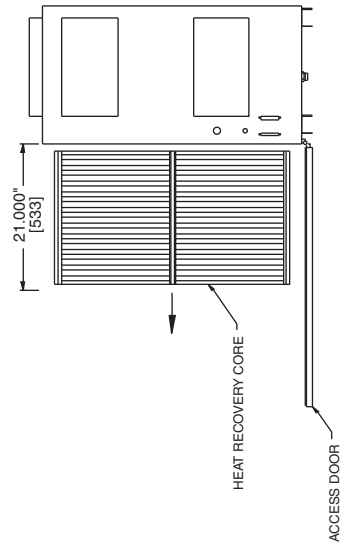


LEFT SIDE



RIGHT SIDE

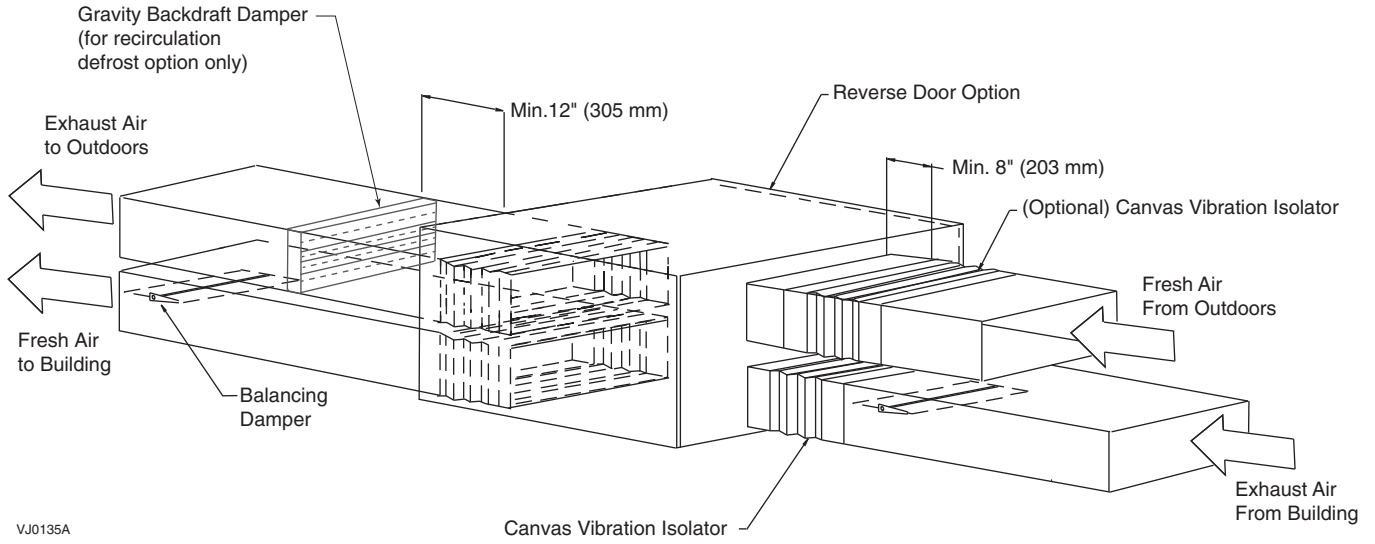
A minimum of 21,000" [533] clearance from any obstruction is required for removal of heat recovery cores, fans, etc. The access door can be removed from cabinet with only 2,000" [51] of clearance.



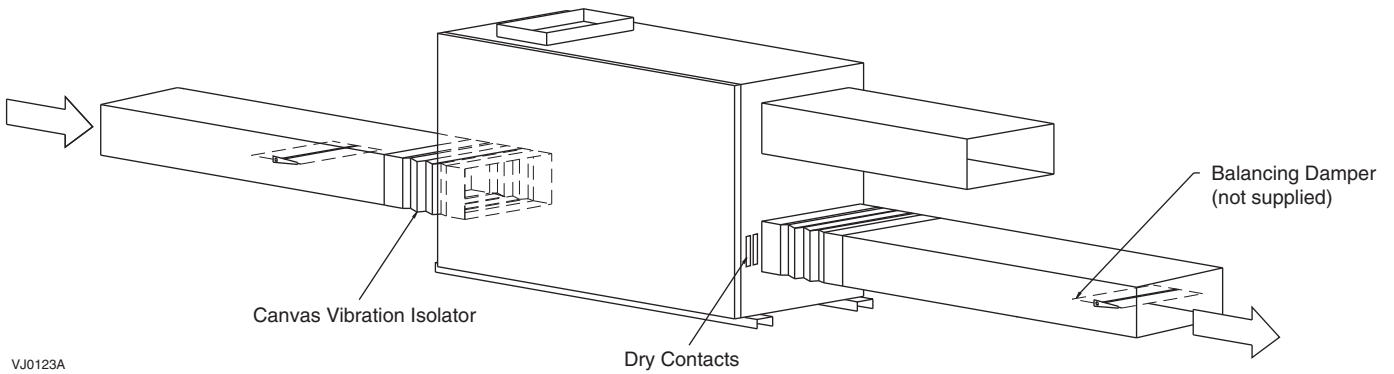
# Appendix C

## BALANCING DAMPERS POSITION

6LC, V6LC, 12LC AND V12LC

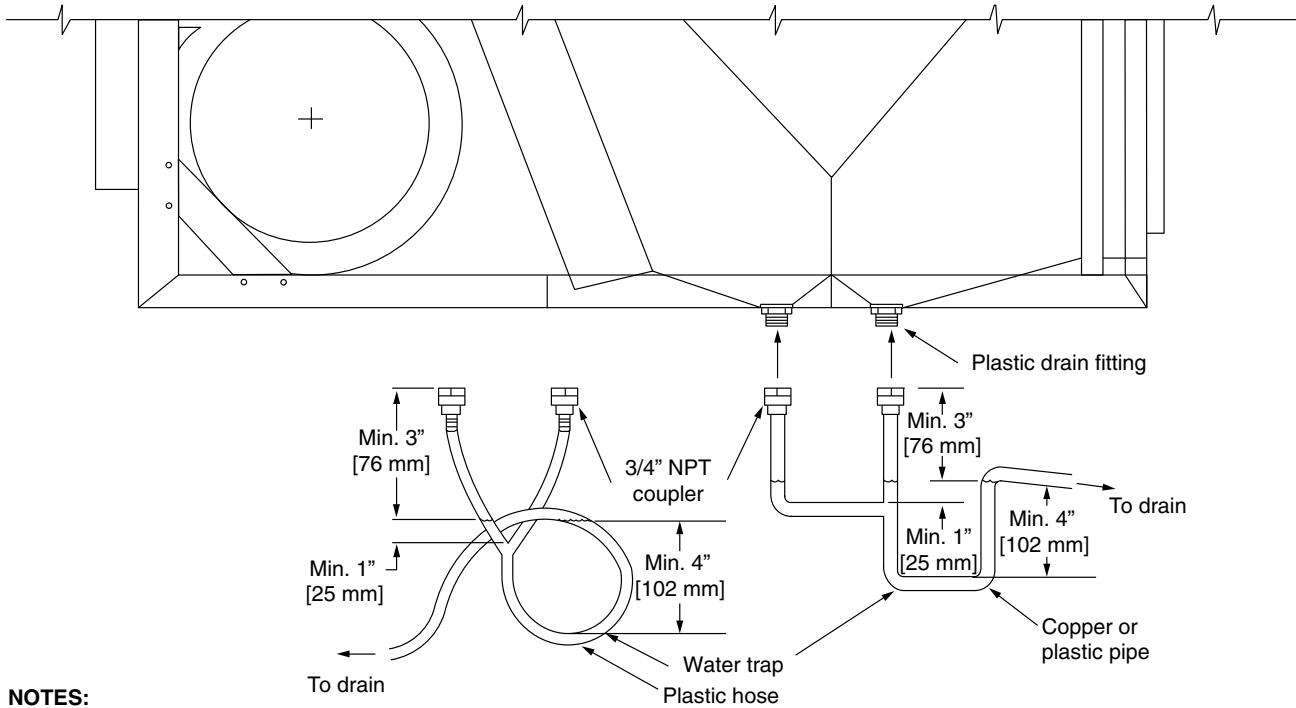


## 7000



# Appendix D

## DRAIN CONNECTIONS 6LC, V6LC, 12LC AND V12LC

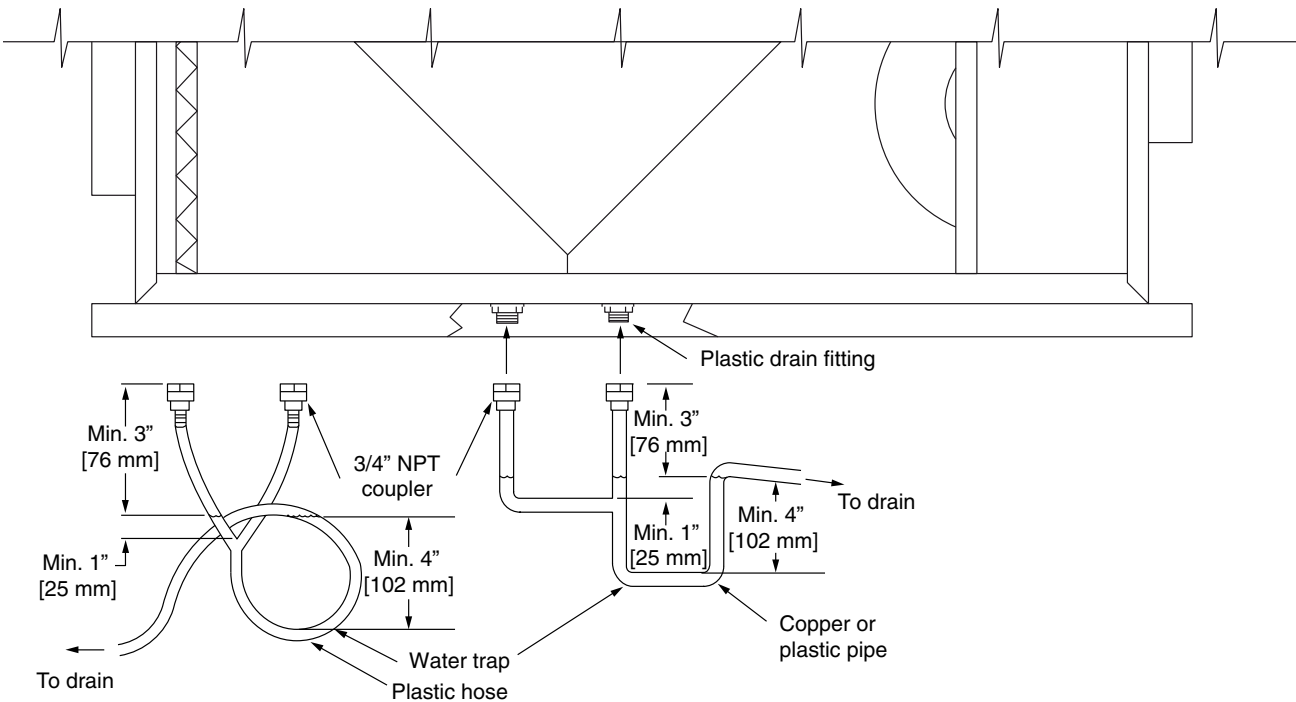


**NOTES:**

1. All hose, pipe and couplers to be supplied by others.
2. Slope drain lines minimum 1/4" per foot.

VO0002A

## 7000



**NOTES:**

1. All hose, pipe and couplers to be supplied by others.
2. Slope drain lines minimum 1/4" per foot.

VO0001A



# Appendix E

## TERMINAL CONTROL DIAGRAMS

### E-1: TERMINAL LABEL

A low voltage remote control wiring interface is provided on the unit. The connections for the low voltage remote wiring are located on two terminals adjacent to the exhaust fan outlet (or adjacent to the supply fan outlet on the 7000 unit). All field installed wiring must be low voltage class II.

#### REMOTE WALL CONTROL

Optional wall control requires a 4 wire LVT-24 gauge (or equivalent). This remote wall control runs on 12 VDC.

#### LOW VOLTAGE CONTROLS

All other terminals are dry contacts.

Low Voltage terminal control consists of the following:

#### WALL CONTROL

4 wire LVT 24 gauge minimum

#### ON-OFF

24 VAC, needs dry contact. For example, can be used for a timer or motion sensor.

#### LOW - COMMON - HIGH

Remote fan switching requires a single pole, double throw switch (SPDT)

#### FAN INTERLOCK RELAY OUTPUT (FF)

Dry contact closes on ventilation or defrost. Used to control external fan.

### E-2: WALL CONTROL CONNECTION

Two types of remote wall controls are available:

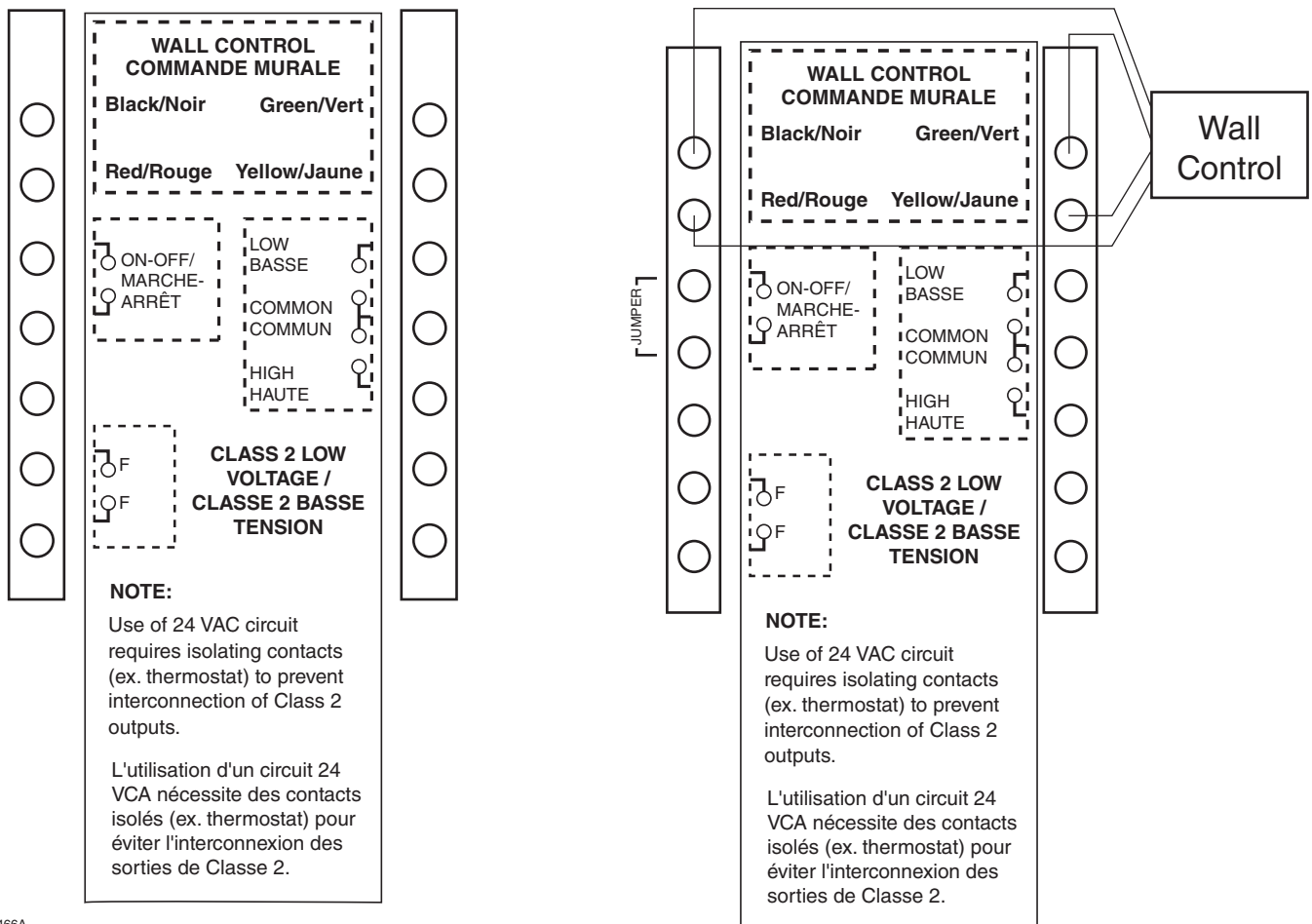
1. Slide Switch Wall Control with fan switch and dehumidistat control (for 6LC, V6LC, 12LC and V12LC units).
2. Pool Plus Wall Control with fan mode selection, dehumidistat control and high speed recirculation mode (for 7000 unit).

The remote wall controls work with the microprocessor electronic control within the unit to control ventilation sequences. Each wall control has different features and require 4-wire connection to the unit as shown below.

Without the wall control, fans can be operated with a remote fan switch as shown in Appendix E-4.

NOTE:

When using a wall control, never use the the LOW, COMMON and HIGH terminals.



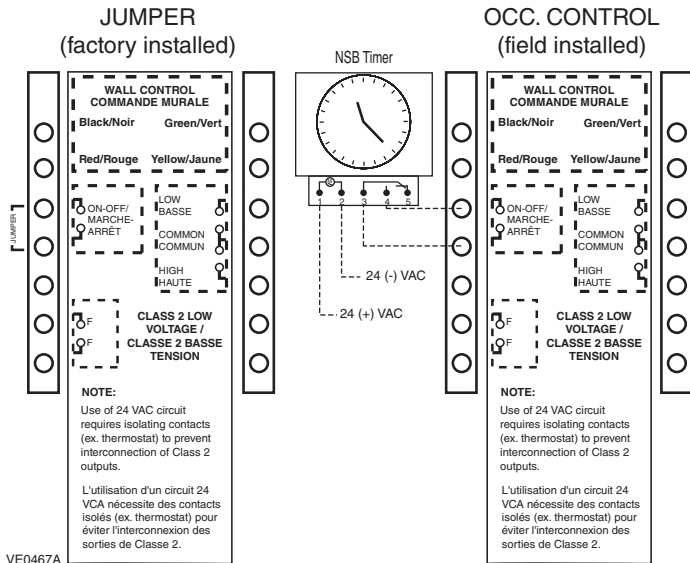
# Appendix E (cont'd)

## TERMINAL CONTROL DIAGRAMS

### E-3: OCCUPIED TIMER/SENSOR CONNECTION (NOT SOLD BY VENMAR OR VÄNEE)

Occupancy control is achieved by connection to the terminal interface shown below. These terminals require a dry contact which could be provided by a number of types of controls such as a timer, light sensor, occupancy sensor, building management system, or other. **The unit will not operate unless these contacts are closed!!**

The illustration below shows a factory installed jumper and programmable timer option (supplied by others).

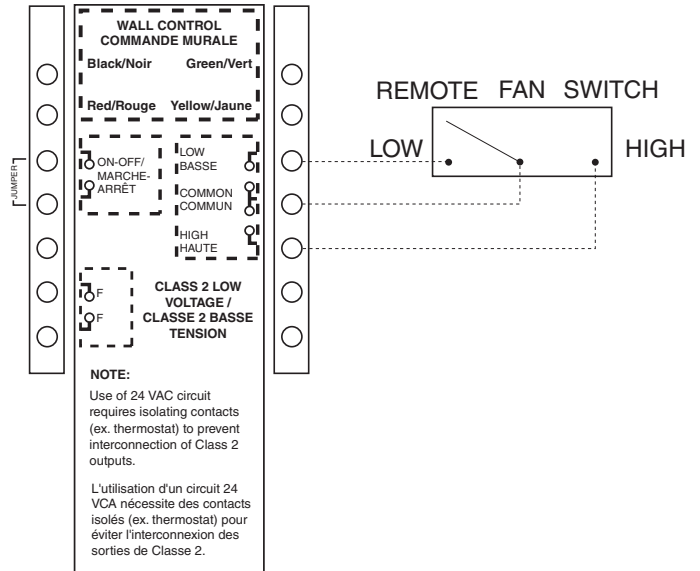


### E-4: REMOTE FAN CONTROL

Remote fan control can be achieved by connecting dry contact controls to the terminal interface at terminals labeled: LOW - COM - HIGH.

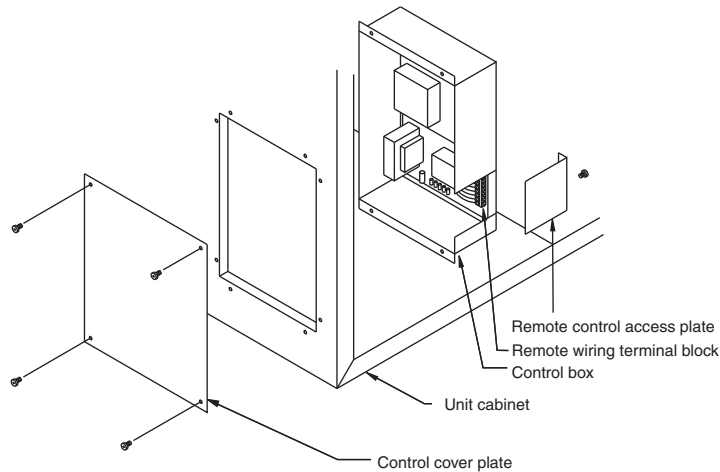
These controls could be the following: SPDT switch, dehumidistat, CO<sub>2</sub> sensor, light sensor, timer, building management system, etc., supplied by others.

The illustration below represents a switch connected to the unit.



# Appendix F

## CONTROL BOX ASSEMBLY 6LC, V6LC, 12LC AND V12LC



VE0001A

# Appendix G

## MAKE-UP HEAT REQUIREMENTS

### 6LC, V6LC AND 7000

6LC, V6LC and 7000 UNITS		Outdoor Air -40°F (-40°C)		Outdoor Air -22°F (-30°C)		Outdoor Air -4°F (-20°C)		Outdoor Air 14°F (-10°C)		Outdoor Air 32°F (0°C)	
		Desired Air Temperature		Desired Air Temperature		Desired Air Temperature		Desired Air Temperature		Desired Air Temperature	
Supply Air (CFM)	Supply Air (L/s)	55°F (13°C)	73°F (23°C)	55°F (13°C)	73°F (23°C)	55°F (13°C)	73°F (23°C)	55°F (13°C)	73°F (23°C)	55°F (13°C)	73°F (23°C)
700	330	7.4	10.4	5.6	8.6	3.9	6.8	2.1	5.1	0.3	3.3
650	307	6.6	9.4	5.0	7.8	3.4	6.2	1.8	4.6	0.2	3.0
600	283	5.9	8.5	4.5	7.0	3.0	5.6	1.6	4.1	0.1	2.7
550	259	5.2	7.6	3.9	6.3	2.6	5.0	1.3	3.7	0.1	2.4
500	236	4.0	6.1	3.0	5.1	1.9	4.0	0.9	3.0	-	1.9
450	212	3.0	4.9	2.1	4.0	1.3	3.2	0.4	2.3	-	1.5
400	189	2.2	3.9	1.5	3.2	0.9	2.5	0.2	1.9	-	1.2

### 12LC AND V12LC

12LC and V12LC UNITS		Outdoor Air -40°F (-40°C)		Outdoor Air -22°F (-30°C)		Outdoor Air -4°F (-20°C)		Outdoor Air 14°F (-10°C)		Outdoor Air 32°F (0°C)	
		Desired Air Temperature		Desired Air Temperature		Desired Air Temperature		Desired Air Temperature		Desired Air Temperature	
Supply Air (CFM)	Supply Air (L/s)	55°F (13°C)	73°F (23°C)	55°F (13°C)	73°F (23°C)	55°F (13°C)	73°F (23°C)	55°F (13°C)	73°F (23°C)	55°F (13°C)	73°F (23°C)
1250	590	14.6	19.9	11.2	16.5	7.8	13.1	4.4	9.7	1.0	6.3
1200	566	13.5	18.6	10.4	15.5	7.2	12.3	4.0	9.1	0.8	5.9
1150	542	12.6	17.4	9.6	14.5	6.6	11.5	3.6	8.5	0.7	5.5
1100	519	11.2	15.9	8.5	13.2	5.8	10.5	3.1	7.7	0.4	5.0
1050	495	10.7	15.2	8.1	12.6	5.5	10.0	2.9	7.4	0.4	4.8
1000	472	9.9	14.1	7.4	11.7	5.0	9.3	2.6	6.9	0.2	4.4
900	425	8.5	12.4	6.4	10.2	4.3	8.1	2.2	6.0	0.1	3.9
800	377	7.0	10.4	5.2	8.6	3.4	6.8	1.7	5.0	-	3.3
700	330	5.1	8.1	3.7	6.7	2.3	5.3	0.9	3.9	-	2.5

Although the 6LC, V6LC, 7000, 12LC and V12LC models have good efficiencies, the supply air could be colder than the ambient room air. It is possible to eliminate the discomfort associated with this temperature difference by installing an electric duct heater. This will temper the air before it is distributed throughout the building. The tables below gives the heating requirements at different temperatures and airflow.

NOTE:

The data does not reflect a reduction in effectiveness due to frosting.

Based on the standard air at: 1.2 Kg/m<sup>3</sup> and Cp = 1.0 KJ/Kg°C

13.35 lb/ft<sup>3</sup> and Cp = .24 Btu/lbm°F

# Appendix H

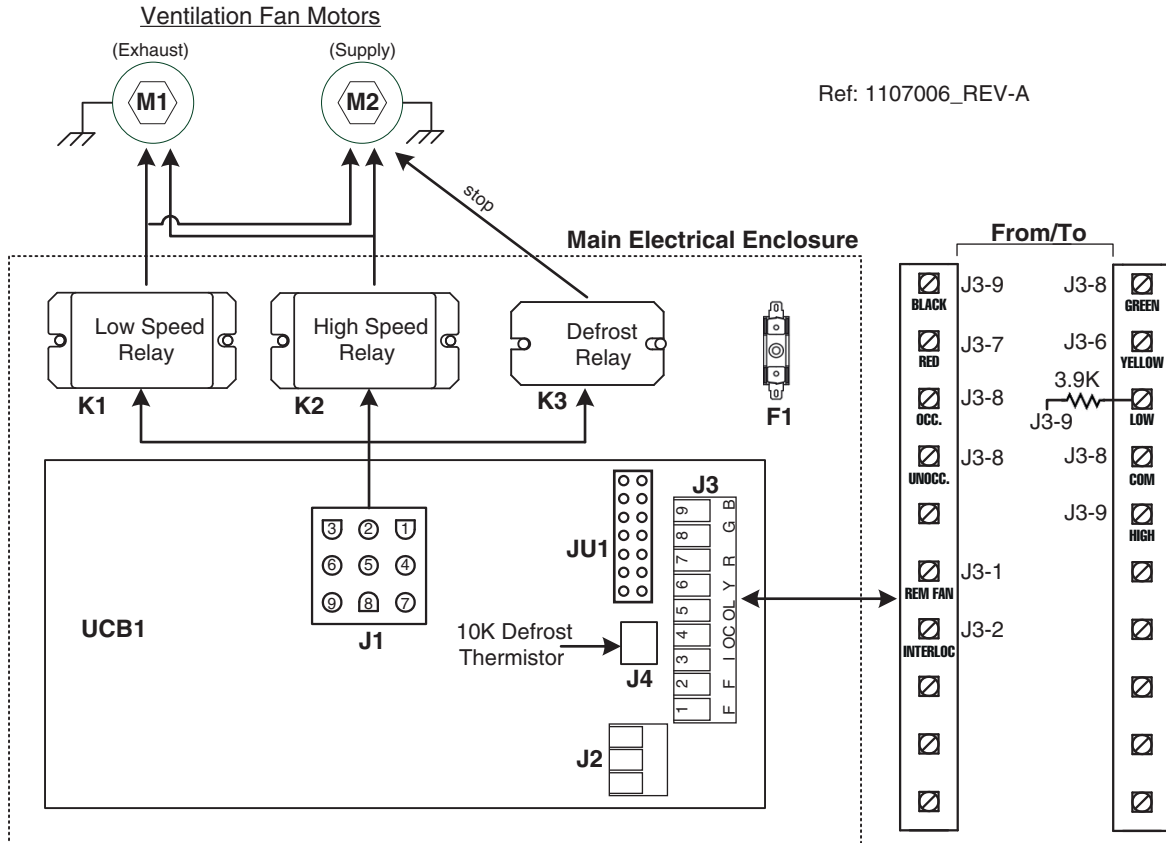
## WIRING DIAGRAMS

### ⚠ WARNING

- Risk of electric shocks. Before performing any maintenance or servicing, always disconnect the unit from its power source.
- This product is equipped with an overload protection (fuse). A blown fuse indicates an overload or a short-circuit situation. If the fuse blows, disconnect the unit from its power source. Discontinue using the unit and contact technical support.

6LC, V6LC, 12LC & V12LC - Exhaust Defrost - Normal Low Speed

### SYSTEM DIAGRAM



ITEM	POSITION	SETTING
JU1	A	OFF
	B	OFF
	C	OFF
	D	ON
	E	ON
	F	ON
	G	ON

ITEM	DESCRIPTION
K1	Relay DPST 120 VAC, 1 HP, 30 A @ 120 VAC
K2	Relay DPST 120 VAC, 1 HP, 30 A @ 120 VAC
K3	Relay SPDT 120 VAC, 1 HP, 30 A @ 120 VAC
F1	Fuse 5 A fast acting and fuse holder
UCB1	Electronic Controller

VE0460A

# Appendix H (cont'd)

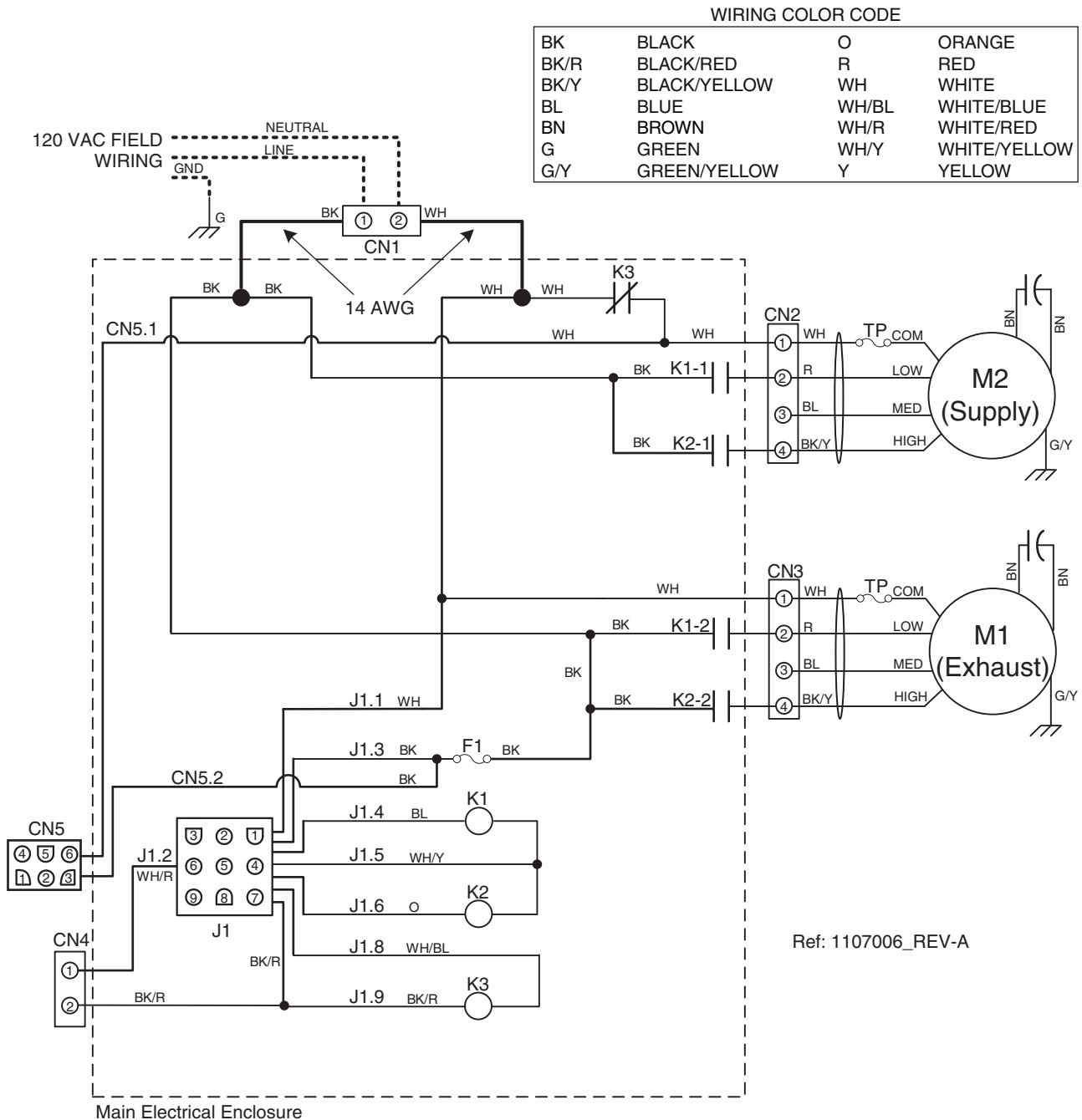
## WIRING DIAGRAMS

### ⚠ WARNING

- Risk of electric shocks. Before performing any maintenance or servicing, always disconnect the unit from its power source.
- This product is equipped with an overload protection (fuse). A blown fuse indicates an overload or a short-circuit situation. If the fuse blows, disconnect the unit from its power source. Discontinue using the unit and contact technical support.

6LC, V6LC, 12LC & V12LC - Exhaust Defrost - Normal Low Speed (cont'd)

### LOGIC DIAGRAM



Ref: 1107006\_REV-A

# Appendix H (cont'd)

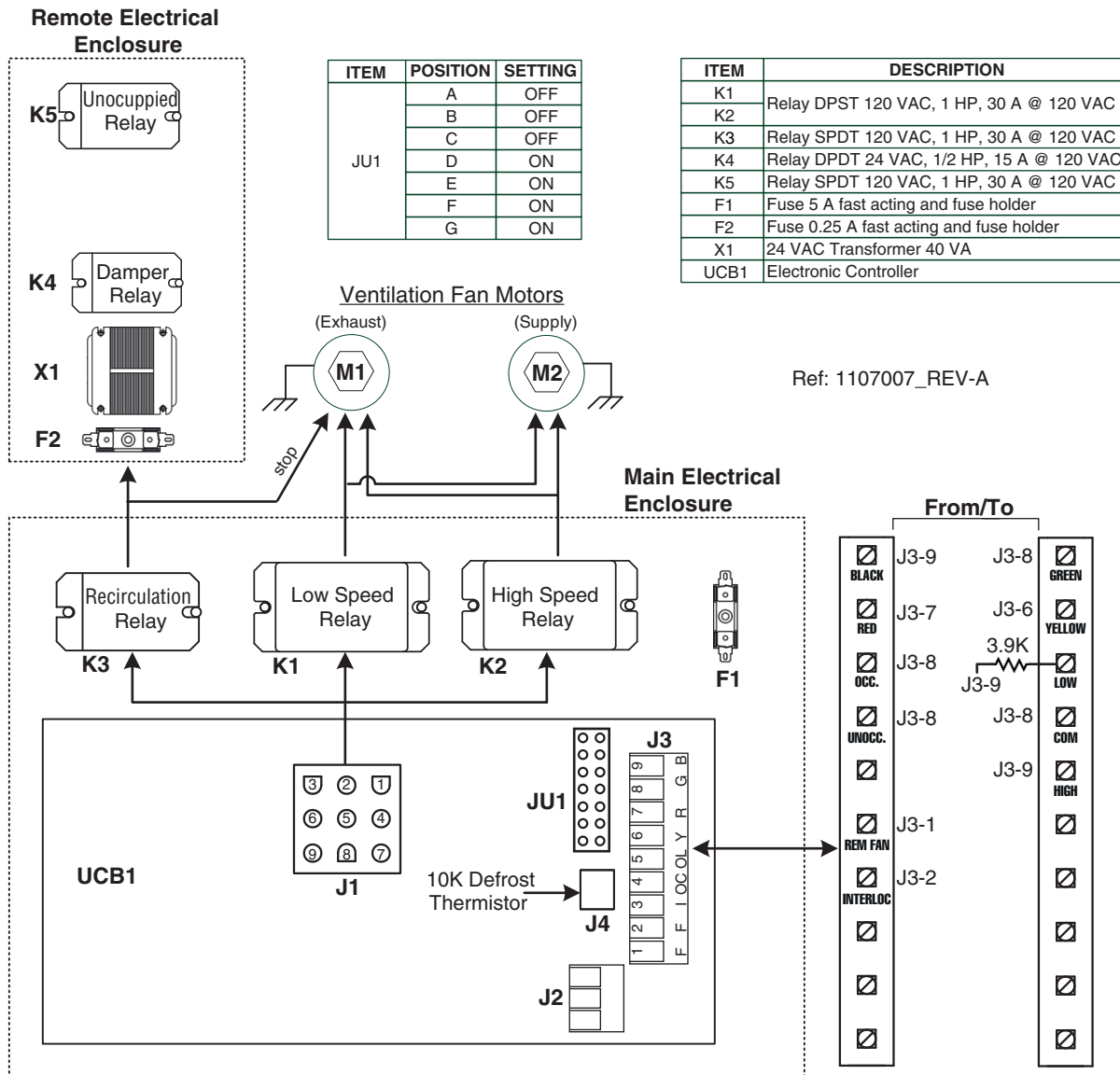
## WIRING DIAGRAMS

### ⚠ WARNING

- Risk of electric shocks. Before performing any maintenance or servicing, always disconnect the unit from its power source.
- This product is equipped with an overload protection (fuse). A blown fuse indicates an overload or a short-circuit situation. If the fuse blows, disconnect the unit from its power source. Discontinue using the unit and contact technical support.

6LC, V6LC, 12LC & V12LC - Recirculation Defrost - Normal Low Speed

## SYSTEM DIAGRAM



VE0462A



# Appendix H (cont'd)

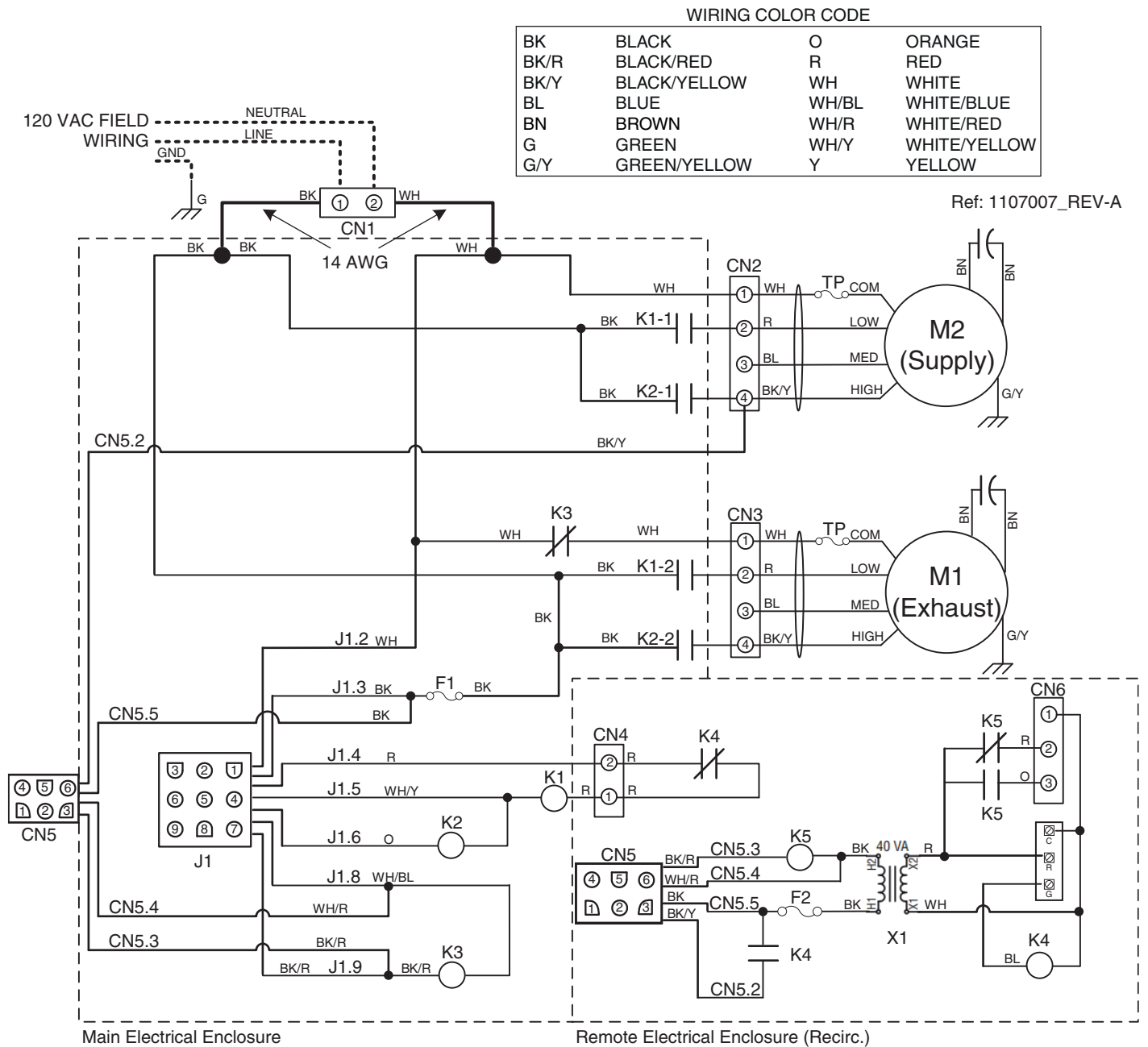
## WIRING DIAGRAMS

### ⚠ WARNING

- Risk of electric shocks. Before performing any maintenance or servicing, always disconnect the unit from its power source.
- This product is equipped with an overload protection (fuse). A blown fuse indicates an overload or a short-circuit situation. If the fuse blows, disconnect the unit from its power source. Discontinue using the unit and contact technical support.

6LC, V6LC, 12LC & V12LC - Recirculation Defrost - Normal Low Speed (cont'd)

### LOGIC DIAGRAM



# Appendix H (cont'd)

## WIRING DIAGRAMS

### ⚠ WARNING

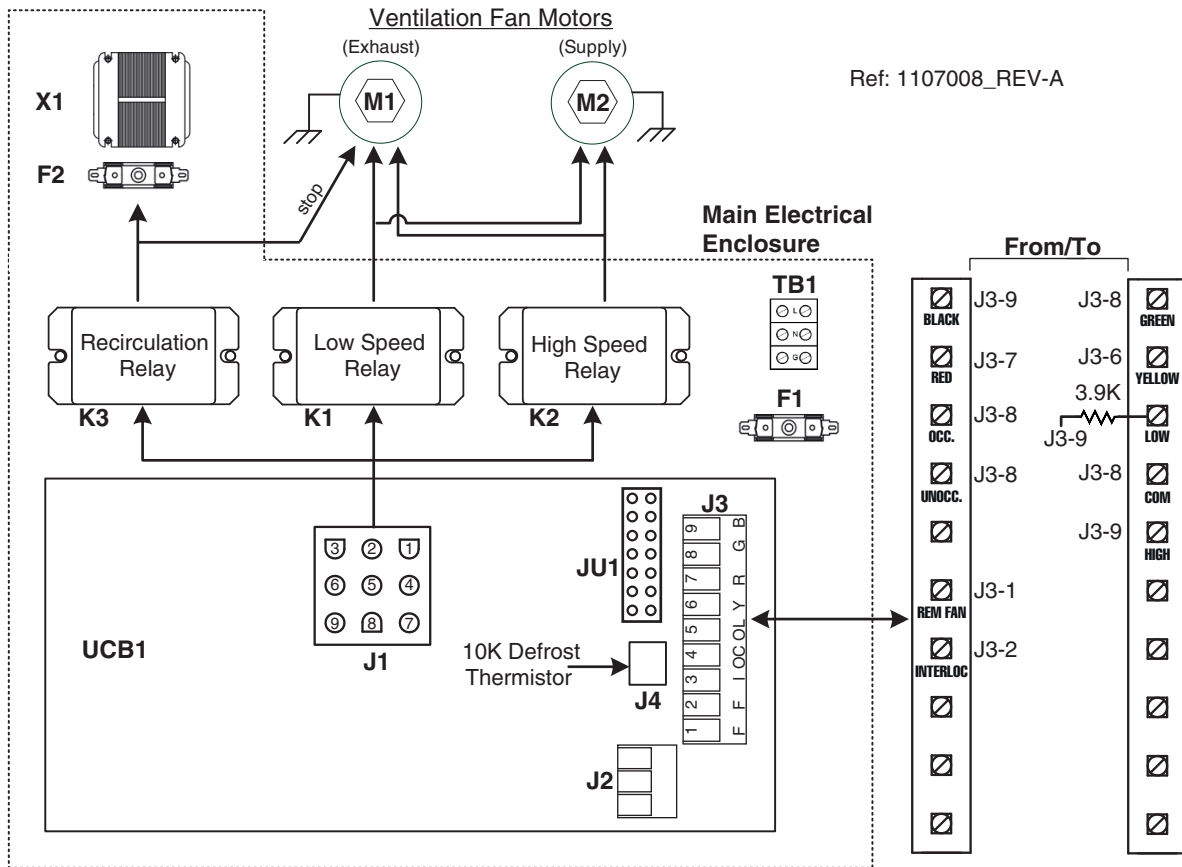
- Risk of electric shocks. Before performing any maintenance or servicing, always disconnect the unit from its power source.
- This product is equipped with an overload protection (fuse). A blown fuse indicates an overload or a short-circuit situation. If the fuse blows, disconnect the unit from its power source. Discontinue using the unit and contact technical support.

7000 - Recirculation Defrost

## SYSTEM DIAGRAM

ITEM	POSITION	SETTING
JU1	A	ON
	B	OFF
	C	OFF
	D	ON
	E	ON
	F	ON
	G	ON

ITEM	DESCRIPTION
K1	Relay DPST 120 VAC, 1 HP, 30 A @ 120 VAC
K2	
K3	Relay DPDT 24 VAC, 1/2 HP, 15 A @ 120 VAC
TB1	Line Voltage Terminal Block (120 VAC)
F1	Fuse 5 A fast acting and fuse holder
F2	Fuse 0.5 A fast acting and fuse holder
X1	24 VAC Transformer 40 VA
UCB1	Electronic Controller



VE0464A



# WARRANTY

This Light Commercial ventilation unit is a high quality product, built and packaged with care. The manufacturer warrants to the original purchaser of its products, that such products will be free from defects for the period stated below, from date of original purchase. For 6LC, 7000 and 12LC units, the warranty covers parts only against any operational defect. This is a 2-year warranty. Subject to perform the core maintenance according to the installation guide recommendations, the heat recovery core (HRV) has a 15-year warranty. If any defect should occur, we urge you to read the user guide carefully. If the problem persists, observe the following rules:

## RULES TO FOLLOW

If the unit is defective, contact your ventilation contractor (see address on your installation manual back or cover page). The contractor will determine with you the reason for the defect, and if needed, do the replacement or repair. If ever it is impossible to reach your ventilation contractor, call 1-800-567-3855 (in North America); the personnel will be pleased to give you the phone number of a distributor or a service center near you.

## REPLACEMENT PARTS AND REPAIR

In order to ensure your ventilation unit remains in good working condition, you must use Venmar Ventilation ULC (for Venmar units) or vänEE (for vänEE units) genuine replacement parts only. Venmar Ventilation ULC and vänEE genuine replacement parts are specially designed for each unit and are manufactured to comply with all the applicable certification standards and maintain a high standard of safety. Any third party replacement part used may cause serious damage and drastically reduce the performance level of your unit, which will result in premature failing. Venmar Ventilation ULC and vänEE also recommends to contact a Venmar Ventilation ULC (for Venmar units) or vänEE (for vänEE units) certified service depot for all replacement parts and repair.

## BILL OF PURCHASE

No replacement or repair covered by the warranty will be carried out unless the unit is accompanied by a copy of the original bill of purchase. Please retain your original.

## MISCELLANEOUS COSTS

In each case, the labor costs for the removal of a defective part and/or installation of a compliant part will not be covered by Venmar Ventilation ULC and vänEE.

## CONDITIONS AND LIMITATIONS

These units are created for **residential and commercial use** only and must be used in a building as defined below:

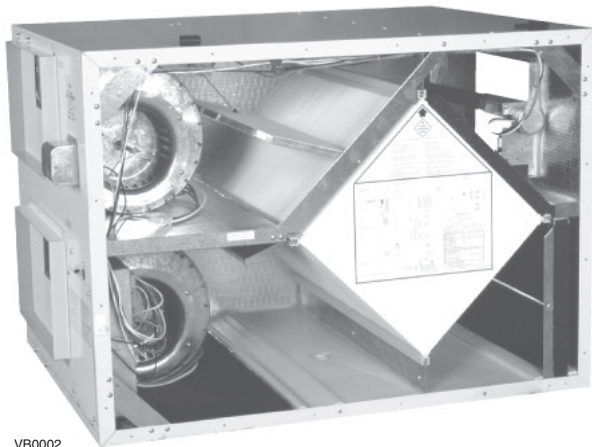
- Building: All structures zoned and/or erected for the act, process or art of human or animal habitation and/or the storage or warehousing of goods.
- Residential use: Dwelling, lodging, suite: Building, or part of a building, intended to act as either the domicile to one or several people which can include general sanitary, food consumption and rest facilities. Buildings of only one room or a group of rooms including those occupied by a tenant or owner; comprise the lodgings, the individual rooms of the motels, hotels, rooming/lodging houses, boarding/half-way/foster homes, dormitories, and suites, as well as the stores and the business establishments constituted by only one room in a dwelling.
- Commercial use: Agricultural establishment, commercial establishment for assembly, care, or detention: Building or part of a building that does not contain a dwelling, situated on land dedicated to agriculture or farming and used primarily to shelter animals, or for the production, the storage or the treatment of agricultural or horticultural products or animal food. Building or part of a building, used for the display or retail of goods, professional or personal services, or commodities. Building, or part of a building used by persons gathering for civic activities, religious or political assembly, tourism, educational/vocational training, recreation or the consumption of food or drink. Building, or part of a building used to shelter persons of impaired physical or psychological states, persons requiring palliative care or medical treatments, or persons for reasons out of their control, cannot escape harm or threat of danger autonomously.
- Industrial use: Building, or part of a building, used for the assembly, the manufacture, the creation, the treatment, the repair or the storage of products and combustible materials and that contain fuels that when ignited or exploded in sufficient quantity may constitute a risk of fire.

The above warranty applies to all cases where the damage is not a result of poor installation, improper use, mistreatment or negligence, acts of God, or any other circumstances beyond the control of Venmar Ventilation ULC or vänEE. Furthermore, Venmar Ventilation ULC and vänEE will not be held responsible for any bodily injury or damage to personal property or real estate, whether caused directly or indirectly by the Light Commercial unit. This warranty supersedes all prior warranties.

# Ventilateurs à récupération de chaleur et Ventilateurs à récupération d'énergie de type commercial léger

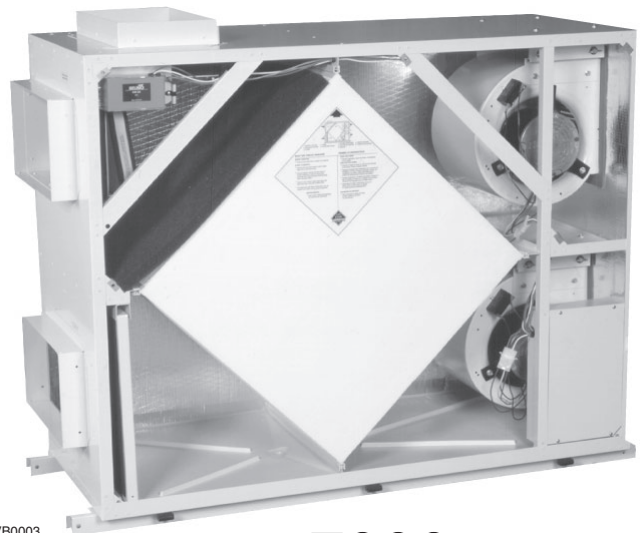
Instructions pour l'installation, l'utilisation et l'entretien

INSTALLATEUR: LIRE CES DIRECTIVES ET REMETTRE CE GUIDE À L'UTILISATEUR FINAL.



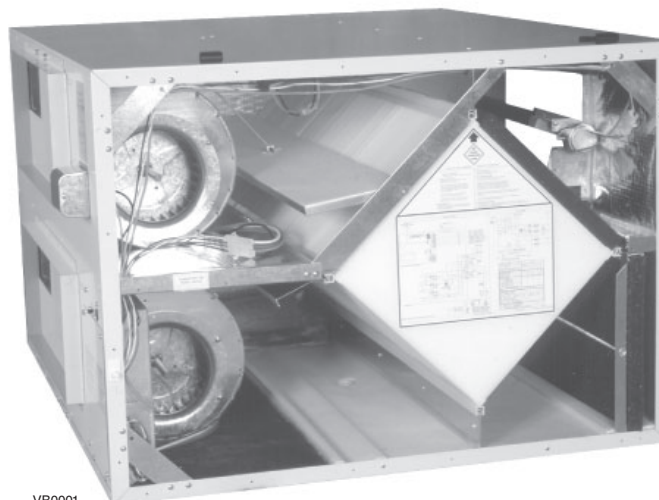
VB0002

**6LC, V6LC**



VB0003

**7000**



VB0001

**12LC, V12LC**



7 72371 13974 9

ENREGISTREZ VOTRE PRODUIT EN LIGNE AU :

[www.venmar.ca/enregistrez-votre-produit.html](http://www.venmar.ca/enregistrez-votre-produit.html) ou

[www.vanee.ca/fr/enregistrez-votre-produit.html](http://www.vanee.ca/fr/enregistrez-votre-produit.html)

Pour plus d'information, visitez [www.venmar.ca](http://www.venmar.ca) ou [www.vanee.ca](http://www.vanee.ca)

# Table des matières

---

1. Pour votre sécurité . . . . .	3
2. Installation . . . . .	4-5
2.1 Inspection . . . . .	4
2.2 Emplacement de l'appareil . . . . .	4
2.3 Fixation de l'appareil . . . . .	4
2.4 Système de conduits . . . . .	4-5
2.5 Grilles et diffuseurs internes . . . . .	5
2.6 Sorties extérieures. . . . .	5
2.7 Drains . . . . .	5
2.8 Branchements électriques. . . . .	5
3. Commandes . . . . .	6
3.1 Information générale . . . . .	6
3.2 Séquence de fonctionnement . . . . .	6
3.3 Dégivrage . . . . .	6
3.4 Commande murale (en option) . . . . .	6
4. Mesure et équilibrage du débit de l'air . . . . .	7
5. Entretien . . . . .	7-8
5.1 Entretien aux deux mois . . . . .	7
5.2 Entretien annuel. . . . .	8
6. Réparation . . . . .	8-9
6.1 Remplacement des pièces . . . . .	8-9
6.2 Dépannage . . . . .	9
7. Pièces de rechange . . . . .	10-12
7.1 6LC, V6LC-12LC, V12LC Dégivrage par évacuation . . . . .	10
7.2 6LC, V6LC-12LC, V12LC Dégivrage par recirculation . . . . .	11
7.3 7000. . . . .	12
Annexe A - Schémas de montage . . . . .	13
Annexe B - Dimensions des appareils . . . . .	14-18
Annexe C - Position des volets d'équilibrage . . . . .	19
Annexe D - Raccord de drains . . . . .	20
Annexe E - Schémas des bornes de commande . . . . .	21-22
Annexe F - Accès au circuit électrique 6LC, V6LC, 12LC et V12LC . . . . .	22
Annexe G - Besoins en chauffage d'appoint. . . . .	23
Annexe H - Schémas électriques . . . . .	24-29
Garantie . . . . .	30



## 1. Pour votre sécurité

Puisque ces appareils possèdent des pièces électriques et mécaniques mobiles, il y a risque de blessures.

Seul du personnel qualifié devrait installer ou entretenir ces équipements. Cependant, du personnel non qualifié peut effectuer l'entretien de base tel que l'entretien des filtres.

Respectez les précautions indiquées dans la documentation ainsi que sur les étiquettes du produit. Respectez tous les codes de sécurité.

Veillez noter que dans ce guide, les symboles suivants sont utilisés afin d'accentuer certaines informations particulières :

### AVERTISSEMENT

**Identifie une directive qui, si elle n'est pas suivie, peut causer de graves blessures corporelles ou la mort.**

### ATTENTION

**Identifie une directive qui, si elle n'est pas suivie, peut gravement endommager l'appareil ou ses pièces.**

NOTE : Indique une information supplémentaire afin de réaliser complètement une directive.

### LIMITATION

**NE PAS UTILISER À L'EXTÉRIEUR.** Les travaux d'installation et de raccordement électrique doivent être effectués par du personnel qualifié, conformément aux codes et aux standards de construction, incluant ceux concernant la protection contre les incendies.

### AVERTISSEMENT

**AFIN DE DIMINUER LES RISQUES D'INCENDIE, D'ÉLECTROCUTION OU DE BLESSURES CORPORELLES, SUIVEZ LES DIRECTIVES SUIVANTES :**

1. N'utiliser cet appareil que de la façon prévue par le fabricant.
2. Avant d'effectuer l'entretien ou la réparation, couper le courant au panneau de distribution.
3. Cet appareil n'est pas conçu pour fournir l'air nécessaire à la combustion et/ou à la dilution pour les appareils à combustion.
4. Lorsque vous coupez ou percez un mur ou un plafond, ne pas endommager les fils électriques ou autres installations qui pourraient y être dissimulés.
5. Ne pas utiliser cet appareil avec une commande de vitesse à semi-conducteur autre que celles mentionnées à la section 3.1.
6. Cet appareil doit être mis à la terre.
7. Ne pas installer dans une aire de cuisson ou brancher directement à un appareil ménager.
8. Ne pas utiliser pour évacuer des vapeurs ou des produits dangereux ou explosifs.
9. Il est recommandé de porter des lunettes et des gants de sécurité lors de l'installation, de l'entretien ou de la réparation de ces appareils.
10. Lorsqu'une réglementation est en vigueur localement et qu'elle comporte des exigences d'installation et/ou de certification plus restrictives que les présentes, lesdites exigences prévalent sur celles de ce document et l'installateur entend s'y conformer à ses frais.

### ATTENTION

1. Afin d'éviter l'encrassement prématuré des filtres, arrêter l'appareil lors de travaux de construction ou de rénovation. Ne pas utiliser l'appareil lors de sablage de joints de cloison sèche. Certains types de poussière et de vapeurs peuvent endommager le système de ventilation.
2. Pour plus de renseignements au sujet de votre appareil, veuillez lire les autocollants apposés sur celui-ci.
3. S'assurer que les bouches appropriées donnent à l'extérieur. Ne pas aspirer/évacuer l'air dans des espaces restreints comme l'intérieur des murs ou plafond ou dans le grenier, un vide sanitaire ou un garage. Ne pas essayer de récupérer l'air évacué provenant d'une sécheuse ou d'une hotte de cuisinière.
4. Ne pas installer de conduits directement au-dessus ou à moins de 2 pi (0,61 m) d'une fournaise, de son conduit de distribution, d'une chaudière ou d'un appareil de chauffage. Si un conduit doit être raccordé au plenum de retour d'air de la fournaise, il doit être installé à au moins 10 pi (3,1 m) du raccordement de ce plenum à la fournaise.
5. Le réseau de conduits doit être installé selon tous les codes locaux et nationaux en vigueur.
6. En cas d'absence prolongée (plus de deux semaines), laissez une personne responsable vérifier régulièrement que l'appareil fonctionne adéquatement.
7. Si le réseau de conduits traverse un espace non tempéré (ex. : grenier), l'appareil doit fonctionner continuellement sauf lors de son entretien ou de sa réparation. La température ambiante de la maison ne doit également jamais se situer sous 18 °C (65 °F).
8. Au moins une fois par année, les composantes électroniques et mécaniques de cet appareil devraient être inspectées par du personnel qualifié.
9. Pendant l'hiver, s'assurer que les bouches extérieures ne sont pas encombrées par la neige. Il est également important de s'assurer que l'appareil n'aspire pas de neige pendant les tempêtes de neige. Au besoin, arrêter l'appareil pendant quelques heures.

## 2. Installation

### 2.1 Inspection

Vérifier l'extérieur de l'appareil pour déceler tout dommage causé par l'expédition. S'assurer qu'il n'y a pas de bris à la porte, aux loquets, pentures, volets, brides de conduit, au boîtier, etc. Vérifier l'intérieur de l'appareil pour déceler tout dommage. S'assurer que les moteurs des ventilateurs, leurs boîtiers, les noyaux de récupération de chaleur ou d'énergie, l'isolant, les volets, les servomoteurs ainsi que les bacs de condensation sont intacts.

Si un bris de transport est décelé, déposer immédiatement une plainte à la compagnie de transport. Enlever toutes les pièces d'emballage du boîtier.

### 2.2 Conditions de l'emplacement de l'appareil

Il importe d'installer l'appareil à l'intérieur d'une pièce chauffée afin de prévenir le gel des conduits de drainage. L'appareil devrait être éloigné des pièces où l'on recherche la tranquillité. L'environnement doit aussi être facilement accessible pour l'entretien.

NOTE : Lors de l'installation de ces appareils, prévoir un minimum de dégagement. Voir l'Annexe B pour les requis spécifiques. De plus, un espace libre de 12 po (305 mm) est nécessaire à l'avant du couvercle du compartiment électrique.

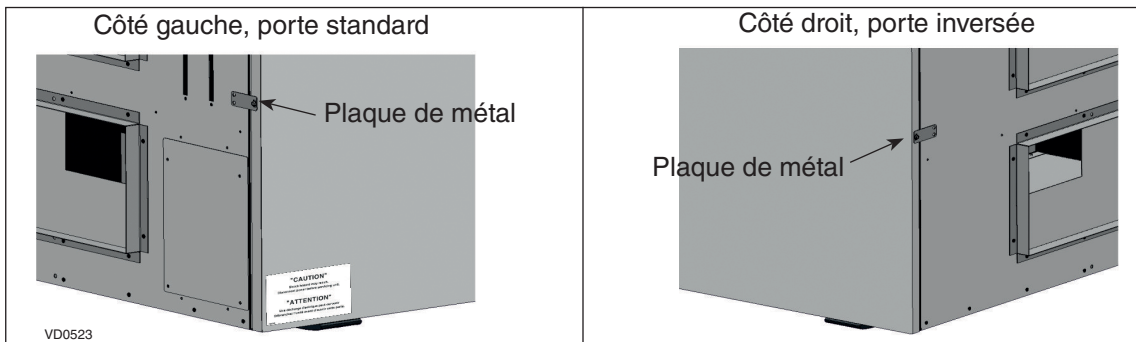
Un appareil installé près d'un mur extérieur minimisera la longueur des conduits isolés. L'appareil devrait être situé près d'un drain et d'une source d'électricité de 120 volts, 60 Hz. L'appareil devrait être éloigné des cheminées chaudes, panneaux électriques ou autres risques d'incendie.

### **⚠ AVERTISSEMENT**

**Afin de réduire le risque de blessure causée par la présence d'arêtes vives et/ou de pièces mobiles, il est recommandé de porter des lunettes et des gants de sécurité lors de l'exécution de ces directives.**

### 2.3 Fixation de l'appareil

NOTE : Pour les appareils 6LC, V6LC, 12LC et V12LC, retirer et se défaire de la plaque de métal vissée sur l'appareil pour éviter que la porte ouvre durant le transport.



Il existe plusieurs façons de suspendre l'appareil ou de le fixer au sol.

NOTE : Dans tous les cas, l'appareil doit être au niveau. Consulter les clauses relatives à l'installation dans le code du bâtiment de votre région.

Tel qu'il est illustré à l'Annexe A, suspendre l'appareil à l'aide des courroies de caoutchouc renforcées incluses. Vérifier le code du bâtiment de votre région en rapport avec l'utilisation de courroies de caoutchouc pour une application commerciale. Fixer les courroies à l'appareil à l'aide des deux vis n° 8 incluses. Fixer l'autre extrémité des courroies à la structure du bâtiment.

L'appareil peut aussi être suspendu à l'aide de tiges filetées de 3/8 po (10 mm) et de profilés en U ou d'équerres (non inclus) tel qu'il est indiqué à l'Annexe A.

Lors de l'installation de l'appareil, toujours tenir compte de l'accès libre au circuit électrique. Les conduits d'air frais et d'air vicié vers l'extérieur doivent avoir de 1 po à 2 po (25 mm à 51 mm) d'isolant. Il est recommandé d'installer des pièces de caoutchouc pour minimiser les vibrations.

L'appareil peut aussi être installé sur un support de métal ou de bois (non inclus), boulonné au plancher, tel qu'il est illustré à l'Annexe A. Laisser suffisamment d'espace pour l'installation du drain et obtenir une pente pour l'eau de condensation d'au moins 1/4 po/pi (6 mm/305 mm). Si cette pente n'est pas réalisable, une pompe devrait être utilisée. Si l'on doit assembler l'appareil à son support, s'assurer que la boulonnerie et la quincaillerie utilisées n'interfèrent avec les pièces mobiles ou n'endommagent l'isolation du boîtier.

### 2.4 Système de conduits

Les dimensions des conduits d'admission et d'évacuation de l'air de l'appareil sont les suivantes :

APPAREIL	FORMAT DE CONDUIT
6LC, V6LC, 7000	14" po x 8 po (356 mm x 203 mm)
12LC, V12LC	20 po x 8 po (508 mm x 203 mm)

NOTE : Les formats de conduits sont donnés pour fins de branchement seulement. Les conduits doivent être de format à minimiser les pertes de pression et le bruit.

Le conduit d'entrée d'air frais et celui de sortie d'air vicié ainsi que tous les conduits localisés dans un endroit non chauffé doivent être isolés R5 minimum. De plus, un pare-vapeur continu est nécessaire pour ces conduits.

## 2. Installation (suite)

### 2.4 Système de conduits (suite)

Pour les conduits de distribution d'air frais et d'aspiration d'air vicié, l'installation de volets d'équilibrage est recommandée. De plus, il est préférable de joindre ces deux conduits à l'appareil à l'aide de conduits flexibles (canevas) afin de minimiser la transmission du bruit. Voir l'Annexe C.

Toutes les bouches des appareils 6LC, V6LC, 12LC et V12LC possèdent des brides de 1 po (25 mm) pour faciliter le raccordement des conduits. La bouche d'entrée d'air frais possède un volet pour le dégivrage.

Assurez-vous que la boulonnerie utilisée pour fixer le conduit n'interférera pas avec le mouvement du volet. **Dans ce cas seulement, le conduit peut être vissé sur le côté du boîtier.** Voir l'Annexe B pour l'emplacement des bouches.

Toutes les bouches de l'appareil 7000 possèdent des brides de 2 po (51 mm) pour faciliter le branchement des conduits. Veuillez prendre note que la connexion de l'aspiration d'air frais est montée à l'usine sur la bouche supérieure gauche. Il est possible d'inverser le fonctionnement du volet de dégivrage afin d'utiliser la bouche au-dessus du boîtier pour la connexion de l'aspiration d'air frais.

Pour déplacer l'aspiration d'air frais du côté au dessus, veuillez suivre les instructions suivantes. Pour la localisation des bouches, voir l'Annexe B.

À l'aide d'un tournevis à lame plate, retirer le couvercle du moteur du volet. Inverser les fils ORANGE et ROUGE en déplaçant le fil ORANGE du bornier n° 2 au bornier n° 3 et en déplaçant le fil ROUGE du bornier n° 3 au bornier n° 2. Le résultat final pour obtenir la connexion de l'aspiration d'air frais à la bouche du dessus sera n° 1 = BLANC, n° 2 = ROUGE et n° 3 = ORANGE.

### 2.5 Grilles et diffuseurs internes

Pour une ventilation adéquate et pour éviter le court-circuit entre les débits d'air, éloigner le plus possible les grilles d'aspiration d'air vicié des diffuseurs d'air frais. Chaque emplacement de grilles et diffuseurs devrait être muni de volet pour permettre l'équilibrage.

Choisir les grilles et diffuseurs de formats adéquats afin de minimiser les pertes de pression. Pour un usage normal, la vitesse de l'air ne devrait pas excéder 400 pi/min (2 m/s).

Le réseau de conduits doit être conçu en tenant compte du débit maximum de l'appareil. Afin de minimiser la perte de pression et le bruit, une vitesse maximale de 1 100 pi/min (5,6 m/s) doit être utilisée pour le calcul de conception des conduits. La longueur des conduits doit être la plus courte possible, aussi, utiliser le moins de coudes et de raccords possibles.

Le fabricant recommande l'utilisation de coudes à grands rayons ou de coudes à 90° munis de déflecteur pour obtenir un rendement optimum.

### 2.6 Sorties extérieures

Il est important que la bouche d'entrée d'air frais soit éloignée de toute source de contamination. Les sorties extérieures d'évacuation d'air vicié et d'aspiration d'air frais doivent être assez éloignées l'une de l'autre pour empêcher toute inter-contamination. Elles doivent aussi être assez hautes pour éviter d'être bouchées par la neige, la saleté ou les feuilles.

NOTE : Vérifiez les clauses du Code du bâtiment de votre région.

Un treillis de 1/4 po (6 mm) doit être installé pour bloquer l'entrée de débris ou de petits animaux. Un volet anti-retour peut être installé dans la sortie d'air vicié afin d'empêcher que l'air froid n'infiltré le bâtiment si l'appareil est arrêté durant une longue période.

Pour maximiser la capacité de ventilation, s'assurer que les entrées et sorties extérieures possèdent une ouverture minimum de 140 po<sup>2</sup> (0,09m<sup>2</sup>).

### 2.7 Drains

Les raccords de drain fournis avec l'appareil sont conçus pour recevoir un adaptateur 3/4 po NPT (non inclus). La fabrication et l'installation du drain se font sur place et celui-ci est raccordé avec le drain principal du bâtiment. Faire une boucle ou un siphon dans le tuyau ou boyau de drain, tel qu'il est illustré à l'Annexe D, pour empêcher la propagation des mauvaises odeurs de l'égoût principal vers le système de ventilation.

NOTE : Vérifiez les clauses relatives à la plomberie du Code du bâtiment de votre région. Si un tuyau de cuivre est utilisé, faire les soudures avant de le fixer au connecteur de drain en plastique, afin d'éviter toute déformation par la chaleur. S'assurer d'avoir une pente adéquate pour l'évacuation de l'eau de condensation (minimum 1/4 po par pied ou 6 mm par 305 mm).

### 2.8 Branchements électriques

#### ALIMENTATION

Un bornier et une bague anti-traction ou une boîte de raccordement sont fournis afin de permettre le branchement électrique.

Voici les spécifications pour chaque modèle :

	6LC, V6LC	7000	12LC, V12LC
TENSION	120 V	120 V	120 V
Courant minimal admissible du circuit	9,50 A	6,63 A	14,30 A
Protection de surintensité maximale	15,00 A	15,00 A	20,00 A

## 3. Commandes

### 3.1 Information générales

#### RELAIS DE SYNCHRONISATION DU VENTILATEUR (FF)

Le contrôle du ventilateur externe s'obtient en branchant une commande de ventilation de 24 volts aux contacts non-alimentés (FF). Ces contacts se ferment sur signal de ventilation ou de dégivrage. Voir les schémas électriques à l'annexe E.

#### CHOIX DE LA VITESSE (APPAREILS 6LC, V6LC /12LC, V12LC SEULEMENT)

Il y a trois vitesses disponibles avec les commandes, mais seulement deux sont fonctionnelles en tout temps. Les appareils sont pré-réglés en usine avec les connexions de la basse et la haute vitesse pour les moteurs de ventilateur. Si nécessaire, la vitesse moyenne peut être utilisée au lieu de la basse vitesse. Consulter les schémas électriques pour les instructions de raccordement. Pour arrêter le fonctionnement des appareils non pourvus de commande murale, ouvrir les contacts entre LOW - COM ou HIGH - COM, tel qu'il est illustré à l'annexe E-2.

### 3.2 Séquence de fonctionnement

Avant de démarrer l'appareil, retirer, à l'intérieur de celui-ci, tout matériel d'emballage situé près ou dans les ventilateurs, les volets, les noyaux, etc. Une fois l'installation complétée, vérifier la qualité de tous les modes de fonctionnement. Fermer les portes et vérifier le fonctionnement en LOW, COM et HIGH. Utiliser une commande murale ou les contacts non-alimentés pour sélectionner les vitesses du ventilateur, tel qu'il est indiqué dans l'annexe E-2.

L'appareil 7000 a deux vitesses. La basse vitesse s'obtient en fermant le circuit LOW - COM et la haute vitesse s'obtient en fermant le circuit HIGH - COM.

#### POINTS À VÉRIFIER (TOUS LES APPAREILS):

- Avec courant, sans signal de ventilation : les deux ventilateurs sont arrêtés, le volet de dégivrage (si équipé) ferme l'arrivée d'air frais de l'extérieur.
- Avec courant, avec signal de basse vitesse : les deux ventilateurs fonctionnent en basse vitesse, le volet de dégivrage interne (si équipé) est ouvert et laisse entrer l'air frais de l'extérieur. Pour les appareils 6LC, V6LC, 12LC et V12LC seulement, s'ils sont pourvus de module de recirculation, le volet de dégivrage interne ferme l'ouverture du module de recirculation.
- Avec courant, avec signal de haute vitesse : les deux ventilateurs fonctionnent en haute vitesse, le volet de dégivrage interne (si équipé) est ouvert et laisse entrer l'air frais de l'extérieur. Pour les appareils 6LC, V6LC, 12LC et V12LC seulement, s'ils sont pourvus de module de recirculation, le volet de dégivrage interne ferme l'ouverture du module de recirculation.
- Avec courant, les contacts de la minuterie/détection mode occupé ouvrent (mode inoccupé) : Les deux ventilateurs sont arrêtés, le volet de dégivrage ferme l'arrivée d'air frais de l'extérieur. Pour les appareils 6LC, V6LC, 12LC et V12LC seulement, s'ils sont pourvus de module de recirculation, le volet de dégivrage interne ouvre l'ouverture du module de recirculation.
- Avec courant, les contacts pour la commande FF sont fermés durant le cycle de ventilation ou de dégivrage.

### 3.3 Dégivrage

Les fonctions de l'appareil sont gérées par des contrôles intégrés dans l'appareil; ceux-ci peuvent inclure le dégivrage par pression négative ou le dégivrage par recirculation (par module de recirculation, appareils 6LC, V6LC, 12LC et V12LC seulement). Par temps froid, les cycles de dégivrage enlèveront le gel sur les noyaux de récupération pour les préserver.

#### DÉGIVRAGE PAR PRESSION NÉGATIVE (OPTIONNEL)

Le dégivrage se produit lorsque le ventilateur d'aspiration d'air frais s'arrête, que les volets d'arrivée d'air frais et de noyau se ferment et que le ventilateur d'évacuation de l'air continue de faire circuler de l'air chaud à travers le noyau de récupération pour maintenir la ventilation, prévenant la formation de glace sur le noyau. Le dégivrage démarre à une température de 23 °F à -22 °F (-5 °C à -30 °C) pour une période de temps déterminée.

### **⚠ AVERTISSEMENT**

**Lors de ce cycle de dégivrage, une pression négative peut se créer à l'intérieur du bâtiment avec la possibilité d'avoir des retours de fumée des appareils de combustion, ce qui peut avoir de graves conséquences sur la santé.**

#### MODULE DE DÉGIVRAGE PAR RECIRCULATION (OPTIONNEL - INSTALLÉ EN USINE)

Ce module n'est offert que pour les appareils 6LC, V6LC, 12LC et V12LC. Le cycle de dégivrage est contrôlé électroniquement selon la température extérieure, de 23 °F à -22 °F (-5 °C à -30 °C). Lors de la demande pour le dégivrage, le volet d'arrivée d'air frais du module de recirculation se ferme, le ventilateur d'évacuation de l'air s'arrête et le ventilateur de distribution de l'air continue de recirculer l'air chaud à travers le noyau de récupération de chaleur. Par temps très froid, il est possible de prolonger la durée du dégivrage en retirant le cavalier JU1-F de la carte électronique, tel qu'il est indiqué à l'annexe F. Pour les changements dimensionnels et les poids des appareils 6LC, V6LC, 12LC et V12LC munis de module de recirculation, voir les annexes B-2 et B-4.

### 3.4 Commande murale (optionnelle)

Des commandes murales optionnelles peuvent être utilisées pour contrôler à distance les ventilateurs. La connexion du ventilateur à la commande est de basse tension et nécessite un fil à 4 conducteurs (calibre 24 minimum) LVT. Les modèles sont offerts avec un déshumidistat. Les deux options suivantes sont offertes :

#### INTERRUPTEUR À GLISSIÈRE

Déshumidistat pour engager l'échange d'air en haute vitesse. L'interrupteur permet l'échange d'air en continu à basse ou haute vitesse.

#### TYPE ÉLECTRONIQUE POUR PISCINE (APPAREIL 7000 SEULEMENT)

Idéal pour assécher le local de piscine. Déshumidistat pour engager l'échange d'air en haute vitesse. Le bouton-poussoir permet la ventilation intermittente (en attente), échange d'air continu en basse vitesse, échange d'air continu en haute vitesse. Ce modèle est muni d'un voyant pour la fonction d'échange d'air et d'un autre pour l'entretien.

## 4. Mesure et équilibrage des débits de l'air

Une fois l'installation complétée, les débits de l'air frais et de l'air vicié doivent être équilibrés afin d'assurer un fonctionnement adéquat ainsi qu'une installation de qualité.

Un système de conduits bien conçu, avec le bon format de conduits et des pertes de pression statique égales entre les conduits d'air vicié et ceux d'air frais aidera à équilibrer l'appareil. Aussi, il est nécessaire de mesurer les débits avec l'équipement approprié pour s'assurer que le système est bien équilibré.

Avant de procéder à l'équilibrage, toutes les fenêtres et les portes doivent être fermées et aucun dispositif d'évacuation d'air ne doit fonctionner.

## 5. Entretien

### 5.1 Entretien aux deux mois

#### ⚠ AVERTISSEMENT

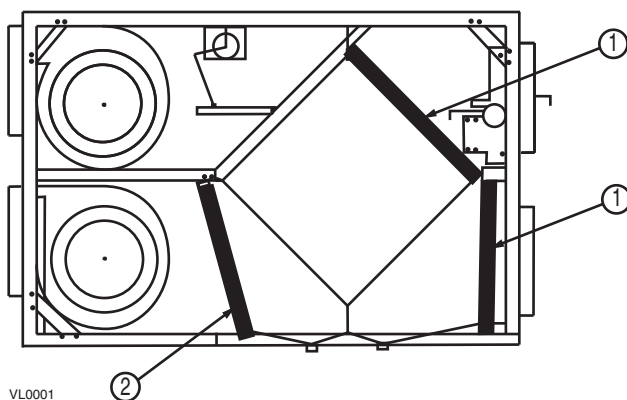
**Danger d'électrocution. Avant d'effectuer tout entretien, toujours arrêter le fonctionnement de l'appareil, puis couper le courant au panneau d'alimentation. Le port de gants et de lunettes de sécurité est recommandé lors de la manipulation des pièces de l'appareil pour prévenir les blessures causées par des arêtes vives.**

L'entretien aux deux mois doit inclure :

#### FILTRES À AIR

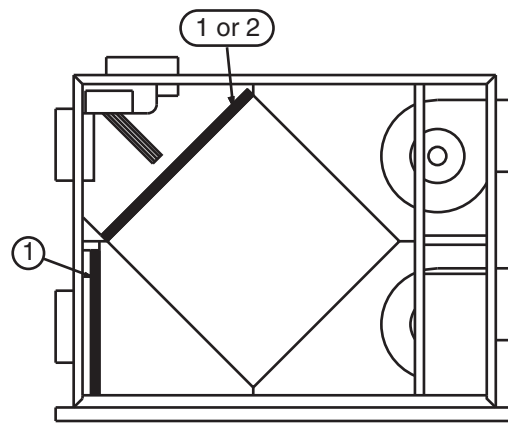
Les filtres standards en mousse sont lavables. En conditions normales d'utilisation, il est recommandé de les nettoyer à tous les deux mois. Un nettoyage plus fréquent peut être nécessaire dans des conditions très poussiéreuses. Passer l'aspirateur sur les filtres pour enlever la plus grande partie des poussières et lavez les filtres à l'eau chaude.

Un filtre plissé pour la distribution d'air frais est offert chez votre fournisseur. Ce filtre est jetable et doit être remplacé au besoin.



**Appareils 6LC, V6LC, 12LC et V12LC**

- ① Filtres en mousse lavables
- ② Filtre plissé - optionnel



**Appareil 7000**

- ① Filtres en mousse lavables
- ② Filtre plissé - optionnel

#### BACS DE CONDENSATION ET INTÉRIEUR DE L'APPAREIL

Une fois les filtres retirés de l'appareil, nettoyer les surfaces isolées et les bacs de condensation à l'aide de chiffon doux et d'une solution de savon doux et d'eau. S'assurer que les raccords de drain sont propres et que l'eau s'écoule librement.

## 5. Entretien (suite)

### 5.2 Entretien annuel

#### AVERTISSEMENT

**Danger d'électrocution. Avant d'effectuer tout entretien, toujours arrêter le fonctionnement de l'appareil, puis couper le courant au panneau d'alimentation. Le port de gants et de lunettes de sécurité est recommandé lors de la manipulation des pièces de l'appareil pour prévenir les blessures causées par des arêtes vives.**

L'entretien annuel doit inclure :

#### FILTRES À AIR

Passer l'aspirateur sur les filtres standards et les laver. Remplacer le filtre plissé si présent.

#### BACS DE CONDENSATION ET INTÉRIEUR DE L'APPAREIL

Une fois les filtres retirés de l'appareil, nettoyer les surfaces isolées et les bacs de condensation à l'aide de chiffon doux et d'une solution de savon doux et d'eau. S'assurer que les raccords de drain sont propres et que l'eau s'écoule librement.

#### NOYAU DE RÉCUPÉRATION

Le noyau de récupération doit être manipulé avec soin. Il est recommandé de le nettoyer une fois par an, après la saison d'utilisation intensive, afin d'assurer l'efficacité maximale de ses surfaces.

NOYAU DE RÉCUPÉRATION DE CHALEUR	NOYAU VRE HM
<b>ATTENTION</b>	<b>ATTENTION</b>
<b>L'eau très chaude et un savon fort peuvent endommager le noyau de polypropylène. S'assurer que le noyau est bien orienté dans l'appareil lors de sa remise en place. Utiliser l'autocollant comme repère.</b>	<b>Ne pas faire tremper le noyau VRE HM dans l'eau. Ce noyau peut facilement être endommagé surtout s'il est trempé.</b>
Laisser tremper le noyau de récupération de chaleur au moins trois heures dans une solution d'eau chaude et de savon doux. Rincer au jet d'eau.	Pour nettoyer les noyaux VRE HM, utiliser un aspirateur ou un jet d'air à basse pression. Il n'est pas recommandé d'utiliser des solvants ou des détergents, car ils peuvent endommager les matériaux ou la structure du noyau.

#### VENTILATEURS

Nettoyer les roues et les boîtiers des ventilateurs de l'accumulation de saletés et poussières. Il peut être aussi nécessaire de retirer le bloc ventilateur et de passer l'aspirateur dans son ouverture. Voir la page suivante pour les directives de retrait du ventilateur.

## 6. Réparation

### 6.1 Remplacement des pièces

#### AVERTISSEMENT

**Haute tension, danger d'électrocution. Les réparations doivent être effectuées uniquement par du personnel qualifié. Le port de lunettes et de gants de sécurité est recommandé puisque certaines procédures de diagnostic doivent être effectuées alors que l'appareil fonctionne. Porter une attention particulière aux pièces mobiles et aux composants électriques afin d'éviter tout risque de blessure.**

#### VÉRIFICATION DES MODES DE FONCTIONNEMENT

Tous les modes de fonctionnement de l'appareil doivent être vérifiés. Voir la section 3.2 Séquence de fonctionnement.

#### TEST ET REMPLACEMENT DU SERVOMOTEUR

Vérifier le fonctionnement du servomoteur en passant par LOW - COM ou HIGH - COM par les contacts non-alimentés ou en passant d'une vitesse à l'autre en utilisant par la commande murale optionnelle. Si le volet ne fonctionne pas dans un sens ou les deux, vérifier l'état de toutes les connexions.

**Appareil 7000 SEULEMENT :** Au moteur du volet, vérifier la tension de 24 volts entre les fils BLANC/ROUGE et BLANC/ORANGE. Si la tension 24 volts est présente, le problème se situe soit aux connexions, au relai de dégivrage ou de la carte de circuits principale.

**Appareils 6LC, V6LC/12LC, V12LC SEULEMENT : (ATTENTION : 120 VCA)** Vérifier la tension de 120 volts entre les fils BLANC et NOIR. Si il y a une tension de 120 volts au moteur, le remplacer. S'il n'y en a pas, vérifier la connexion J1-9 à la carte de circuits principale.

#### REPLACEMENT DE LA CARTE DE CIRCUIT PRINCIPALE

Remplacer la carte de circuits principale lorsque, par exemple, l'appareil cesse subitement de fonctionner, ou dégivre continuellement, ou si ses modes de fonctionnement sont inadéquats.

Vérifier si le courant se rend à la carte. Vérifier si les moteurs et les servomoteurs fonctionnent lorsqu'ils sont alimentés directement par la tension appropriée. Si les moteurs et les servomoteurs fonctionnent normalement, remplacer la carte de circuit principale



## 6. Réparation (suite)

### 6.1 Remplacement des pièces (suite)

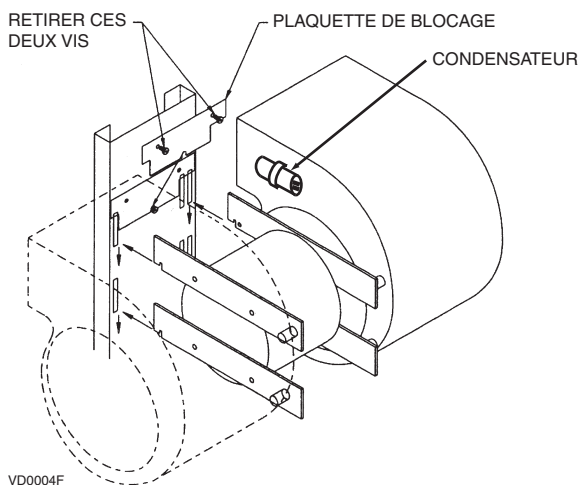
#### RETRAIT ET INSTALLATION DU MOTEUR ET VENTILATEUR

Couper le courant à l'appareil. Pour déterminer si le moteur du ventilateur est hors d'usage, débrancher le connecteur à 4 fils reliant le moteur au boîtier. Brancher directement le moteur à une source de 120 volts à l'aide d'un fil électrique, comme suit :

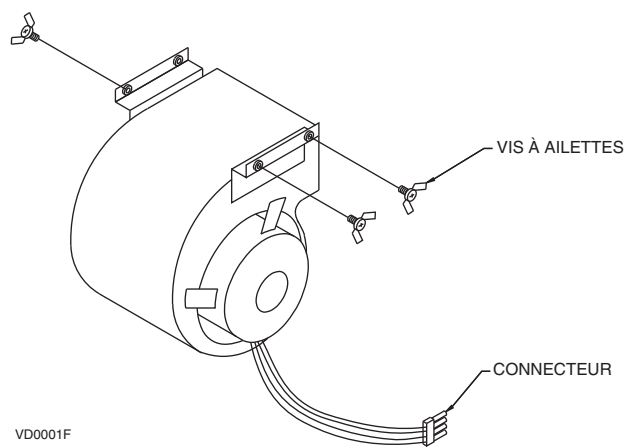
ROUGE + BLANC	Basse vitesse
BLEU + BLANC	Vitesse moyenne
NOIR + BLANC	Haute vitesse

Si le moteur fonctionne normalement, le problème se situe au niveau des connexions électriques ou de la carte de circuits principale. Vérifier les connexions et remplacer la carte de circuits principale au besoin.

Si le ventilateur ne fonctionne pas, il doit être remplacé. Pour ce faire, retirer le noyau de récupération de chaleur de l'appareil. Débrancher le connecteur à 4 fils de l'appareil et enlever la boulonnerie retenant le moteur à l'appareil. Retirer l'assemblage en le soulevant, en ayant une main sous le moteur et en le stabilisant de l'autre main. Retirer soigneusement l'assemblage de l'appareil afin d'éviter tout dommage à l'isolant, le boîtier, etc. Installer l'assemblage réparé en inversant les étapes de retrait.



Appareils 6LC, V6LC, 12LC et V12LC



Appareil 7000

### 6.2 Dépannage

#### ⚠ AVERTISSEMENT

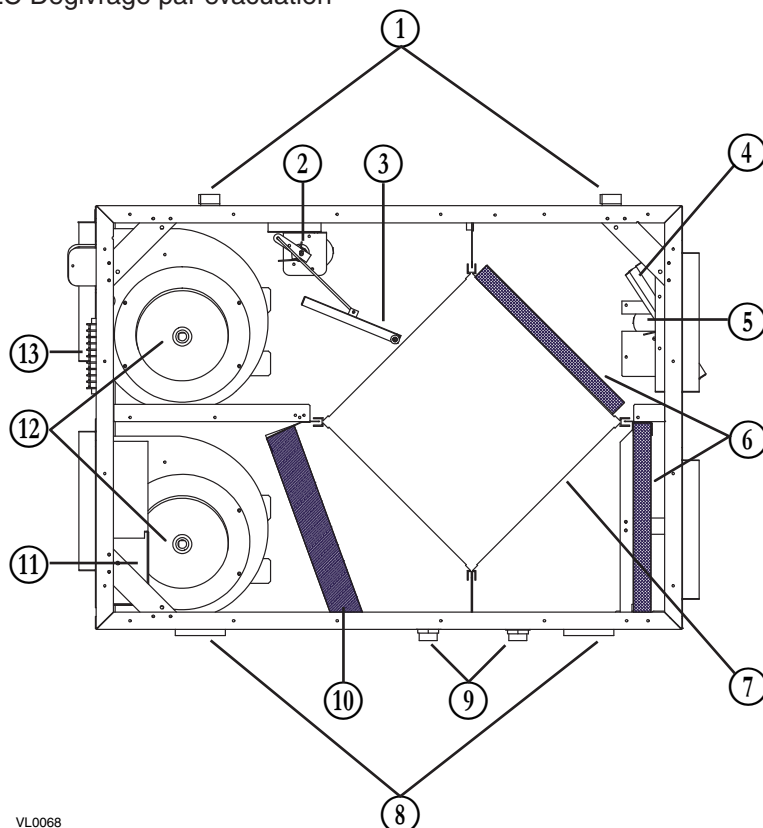
**Le port de lunettes et de gants de sécurité est recommandé puisque certaines procédures de diagnostic doivent être effectuées alors que l'appareil fonctionne. Porter une attention particulière aux pièces mobiles et aux composantes électriques afin d'éviter tout risque de blessure.**

SYMPTÔMES	CAUSES POSSIBLES	SOLUTIONS
Air intérieur trop sec.	Ventilation excessive, ajustement de la vitesse trop élevé. Le réglage du Déshumidistat est trop bas.	Ajuster la vitesse de ventilation. Régler le Déshumidistat plus haut (si présent).
Persistance de la condensation sur les fenêtres, les murs, les plafonds, etc.	Mauvais réglage du Déshumidistat. Le cadre des fenêtres est trop froid ou manque d'étanchéité.	Tourner le bouton d'ajustement de l'humidité du Déshumidistat à un taux plus bas. Installer un déshumidistat (en option). Réparer le cadre des fenêtres.
Arrêt de l'appareil.	Alimentation électrique interrompue.	Vérifier le disjoncteur de l'alimentation de l'appareil.
L'air aux grilles de distribution est trop froid.	Déséquilibre entre les débits de distribution et d'évacuation de l'air. Température extérieure très basse.	Vérifier qu'il n'y ait pas d'obstruction aux filtres et au noyau. Vérifier l'équilibrage des débits de l'air. Si nécessaire, installer un chauffage d'appoint.
Bruit insolite provenant de l'appareil.	Roue du ventilateur déséquilibrée.	Retirer le ventilateur et réajuster la roue
Accumulation de glace au noyau.	Déséquilibre entre les débits de distribution et d'évacuation de l'air. Les volets de dégivrage ne fonctionnent pas	Vérifier qu'il n'y ait pas d'obstruction aux filtres et au noyau. Vérifier l'équilibrage des débits de l'air. Vérifier le fonctionnement des volets de dégivrage.

Pour obtenir de l'assistance technique et de l'information sur la garantie, veuillez contacter votre fournisseur local.

## 7. Pièces de rechange

### 7.1 6LC, V6LC-12LC, V12LC Dégivrage par évacuation



VL0068

Réf.	N° de pièce	Description
①	13036	Kit de penture (mâle-femelle)
②	1808139	Servomoteur dégivrage noyau 6LC, V6LC-12LC, V12LC
	63341	Servomoteur dégivrage noyau 12LC, V12LC option anticorrosion
③	63327	Volet dégivrage noyau 6LC, V6LC
	63328	Volet dégivrage noyau 12LC, V12LC
	63329	Volet dégiv. noyau 12LC, V12LC opt. anticorrosion
④	201982	Volet air frais 6LC, V6LC
	63330	Volet air frais 12LC, V12LC
	63331	Volet air frais 12LC, V12LC opt. anticorrosion
⑤	1808138	Servomoteur volet air frais 6LC, V6LC-12LC, V12LC
	63332	Servo. volet air frais 12LC, V12LC, opt. anticorrosion
⑥	201805	Filtre SWF 13, 125 po x 11,25 po x 1 po (unité)
⑦	1808147	Noyau poly CSA 6LC, V6LC-12LC, V12LC (unité)
	1808146	Noyau poly UL 6LC, V6LC-12LC, V12LC É.-U. seul. (unité)
	1604191	Noyau aluminium 6LC, V6LC-12LC, V12LC (unité)
	1607787	Noyau VRE HM 6LC, V6LC-12LC, V12LC (unité)
⑧	16035	Kit fermoir de porte
⑨	1607456	Raccords de drain 6LC, V6LC, 12LC, V12LC, 7000 (unité)
⑩	63342	MERV8 optionnel 6LC, V6LC, 12LC, V12LC (unité)

**NOTE 1 :** ② et ③ ne sont pas offerts pour le noyau VRE HM.

**NOTE 2 :** ⑦ 2 noyaux requis pour les appareils 6LC et V6LC  
3 noyaux requis pour les appareils 12LC et V12LC

Réf.	N° de pièce	Description
⑪ *	1808130	Carte électronique 6LC, V6LC, 12LC, V12LC, 7000
	202382	Thermistor 6LC, V6LC, 12LC, V12LC, 7000
	500025914	Relais UPDT 120 VCA, 1 HP, 30 A @ 120 VCA, 6LC, V6LC, 12LC, V12LC
	500025915	Relais DPST 120 VCA, 1 HP, 30 A @ 120 VCA, 6LC, V6LC, 12LC, V12LC
⑫	1808144	Bloc ventilateur 6LC, V6LC
	1808148	Bloc ventilateur 12LC, V12LC
	1808148P	Bloc ventilateur 12LC, V12LC opt. anticorrosion
	1808142	Roue de ventilateur 6LC, V6LC, 12LC, V12LC (non illustré)
	1808149	Moteur du ventilateur 6LC, V6LC (non illustré)
	1808150	Moteur du ventilateur 12LC, V12LC (non illustré)
⑬	63110	Condensateur 5 µF LC, 7000 (non illustré)
	208507	Bornier 10 broches Molex 38721-6710, 6LC, V6LC, 12LC, V12LC
*	202798	Ensemble de porte 6LC, V6LC, 12LC, V12LC
*	63343	Ens. de porte 12LC, V12LC (opt. anticorrosion)
*	1808145	Kit d'accessoires 6LC, V6LC, 12LC, V12LC
*	63344	Kit de courroies 18 po 6LC, V6LC, 12LC, V12LC, 7000

\* Non illustré.

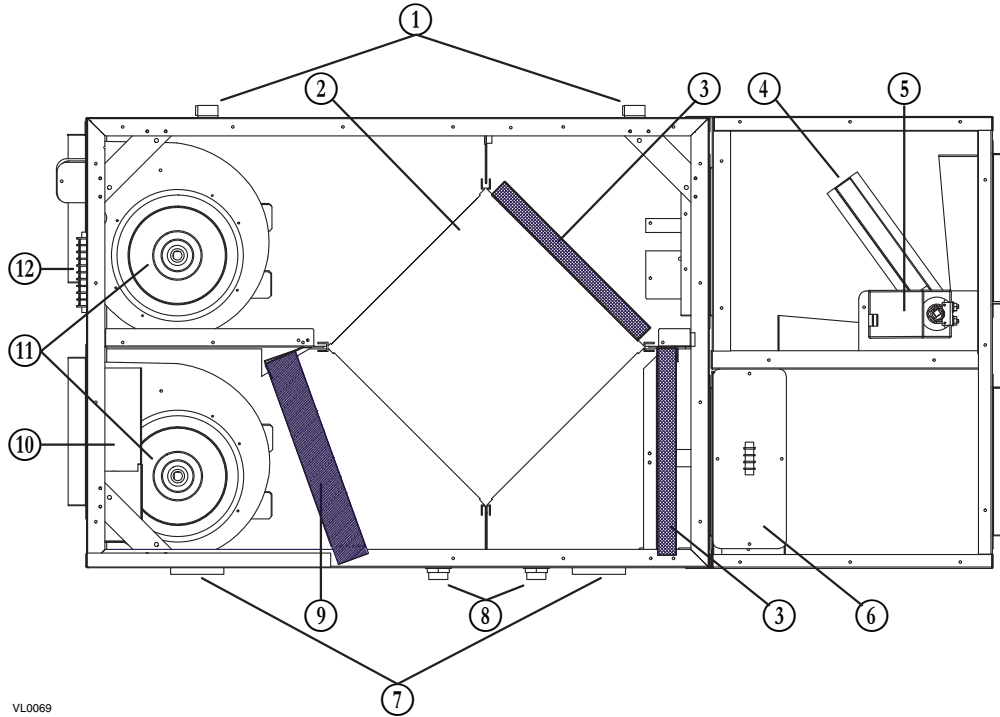
**NOTE 3 :** ⑥ 4 filtres pour les appareils 6LC et V6LC  
6 filtres pour les appareils 12LC et V12LC

**NOTE 4 :** ⑩ 2 filtres pour les appareils 6LC et V6LC  
3 filtres pour les appareils 12LC et V12LC



## 7. Pièces de rechange (suite)

### 7.2 6LC, V6LC-12LC, V12LC Dégivrage par recirculation



VL0069

Réf.	N° de pièce	Description
①	13036	Kit de penture (mâle-femelle)
②	1808147	Noyau poly CSA 6LC, V6LC-12LC, V12LC (unité)
	1808146	Noyau poly UL 6LC, V6LC-12LC, V12LC É.-U. seul. (unité)
	1604191	Noyau aluminium 6LC, V6LC-12LC, V12LC (unité)
	1607787	Noyau VRE HM 6LC, V6LC-12LC, V12LC (unité)
③	201805	Filtre SWF 13,125 po x 11,25 po x 1 po (unité)
④	63333	Volet de recirculation 6LC, V6LC
	63334	Volet de recirculation 12LC, V12LC
	63335	Volet de recirc. 12LC, V12LC opt. anticorrosion
⑤	225855	Servomoteur Belimo LMB24-3-T, 7000, 6LC, V6LC-12LC, V12LC (opt. dégivrage recirc.)
⑥ *	201603	Bornier 3 broches Molex 38721-6703 6LC, V6LC, 12LC, V12LC (dégivrage recirculation)
	63352	Relais DPDT 24 VCA, 1/2 HP, 15 A @ 120 VCA, 6LC, V6LC, 12LC, V12LC (option dégivr. recirc.)
	500025914	Relais UPDT 120 VCA, 1 HP, 30 A @ 120 VCA, 6LC, V6LC, 12LC, V12LC
	64098	Transformateur 120-24V 40VA
⑦	16035	Kit fermail de porte
⑧	1607456	Racc. drain 6LC, V6LC, 12LC, V12LC, 7000 (unité)
⑨	63342	MERV8 optionnel 6LC, V6LC, 12LC, V12LC (unité)

\* Non illustré.

**NOTE 1:** ② 2 noyaux requis pour les appareils 6LC et V6LC  
3 noyaux requis pour les appareils 12LC et V12LC

**NOTE 2:** ③ 4 filtres requis pour les appareils 6LC et V6LC  
6 filtres requis pour les appareils 12LC et V12LC

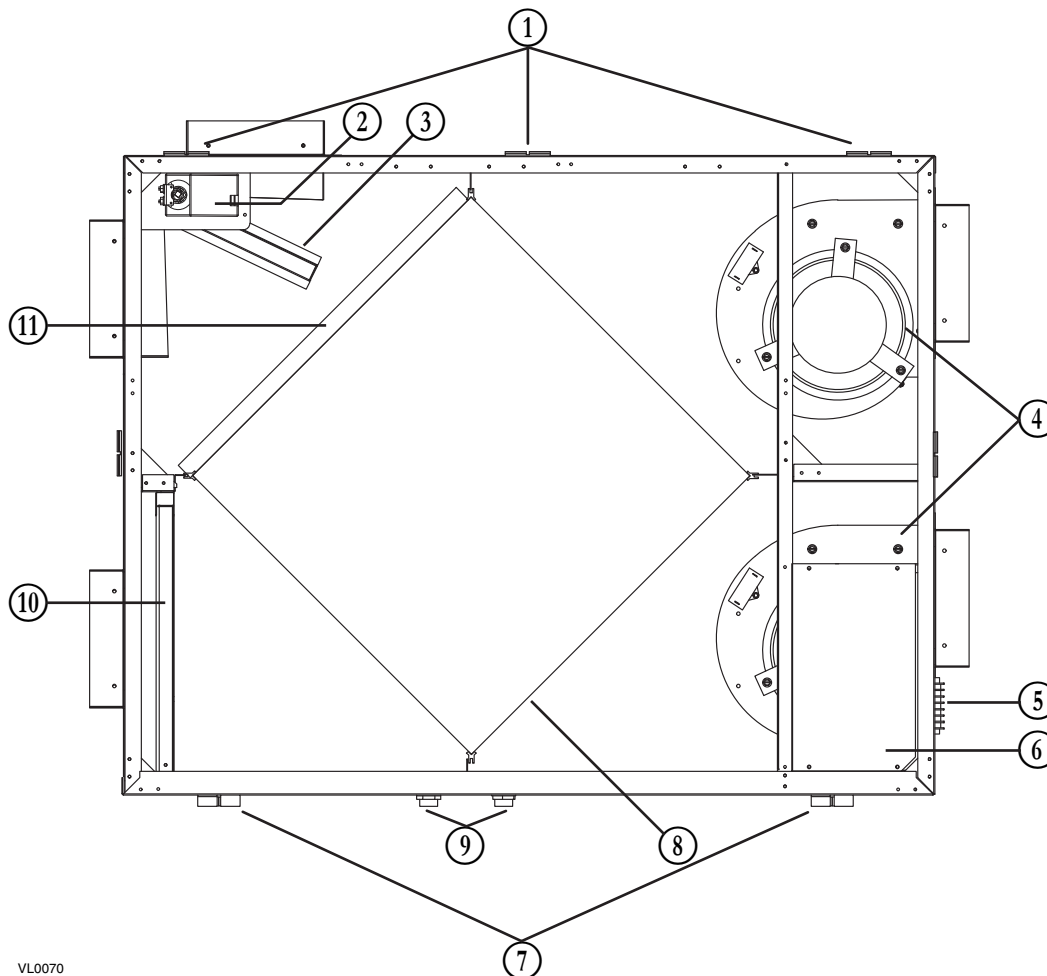
Réf.	N° de pièce	Description
⑩ *	1808130	Carte électronique 6LC, V6LC, 12LC, V12LC, 7000
	202382	Thermistor 6LC, V6LC, 12LC, V12LC, 7000
	500025914	Relais UPDT 120 VCA, 1 HP, 30 A @ 120 VCA, 6LC, V6LC, 12LC, V12LC
	500025915	Relais DPST 120 VCA, 1 HP, 30 A @ 120 VCA, 6LC, V6LC, 12LC, V12LC
⑪	1808144	Bloc ventilateur 6LC, V6LC
	1808148	Bloc ventilateur 12LC, V12LC
	1808148P	Bloc ventil. 12LC, V12LC opt. anticorrosion
	1808142	Roue de ventilateur 6LC, V6LC, 12LC, V12LC (non illustrée)
	1808149	Moteur du ventilateur 6LC, V6LC (non illustré)
	1808150	Moteur du ventilateur 12LC, V12LC (non ill.)
⑫	63110	Condensateur 5 µF LC, 7000 (non illustré)
	208507	Bornier 10 broches Molex 38721-6710, 6LC, V6LC, 12LC, V12LC
*	202798	Ensemble de porte 6LC, V6LC, 12LC, V12LC
*	63343	Ens. de porte 12LC, V12LC (option anticorrosion)
*	1808145	Kit d'accessoires 6LC, V6LC, 12LC, V12LC
*	63344	Kit de courroies 18 po 6LC, V6LC, 12LC, V12LC, 7000
*	64228	Volet anti-retour 6LC, V6LC recirculation
*	64229	Volet anti-retour 12LC, V12LC recirculation

\* Non illustré.

**NOTE 3:** ⑨ 2 filtres requis pour les appareils 6LC et V6LC  
3 filtres requis pour les appareils 12LC et V12LC

## 7. Pièces de rechange (suite)

7.3 7000



VL0070

Réf.	N° de pièce	Description
①	16035	Kit de penture (mâle-femelle)
②	225855	Servomoteur Belimo LMB24-3-T, 7000, 6LC, V6LC-12LC, V12LC (opt. dégivrage recirc.)
③	1604178	Volet air frais
④	1604168	Bloc ventilateur 7000
	1604177	Roue de ventilateur (non illustrée)
	1604169	Moteur du ventilateur 7000 (non illustré)
	63110	Condensateur 5 µF LC, 7000 (non illustré)
⑤	202790	Bornier 7 broches Molex 38721-6707, 7000
⑥ *	1808130	Carte électronique 6LC, V6LC, 12LC, V12LC, 7000
	202382	Thermistor 6LC, V6LC, 12LC, V12LC, 7000
	63117	Transformateur 7000
	63345	Relais DPDT 120VCA, 1/2HP, 15A @ 120VCA, 7000, 6LC, V6LC, 12LC, V12LC
	SV63117B	Relais DPST 120 VCA, 1 HP, 30 A @ 120 VCA, 7000

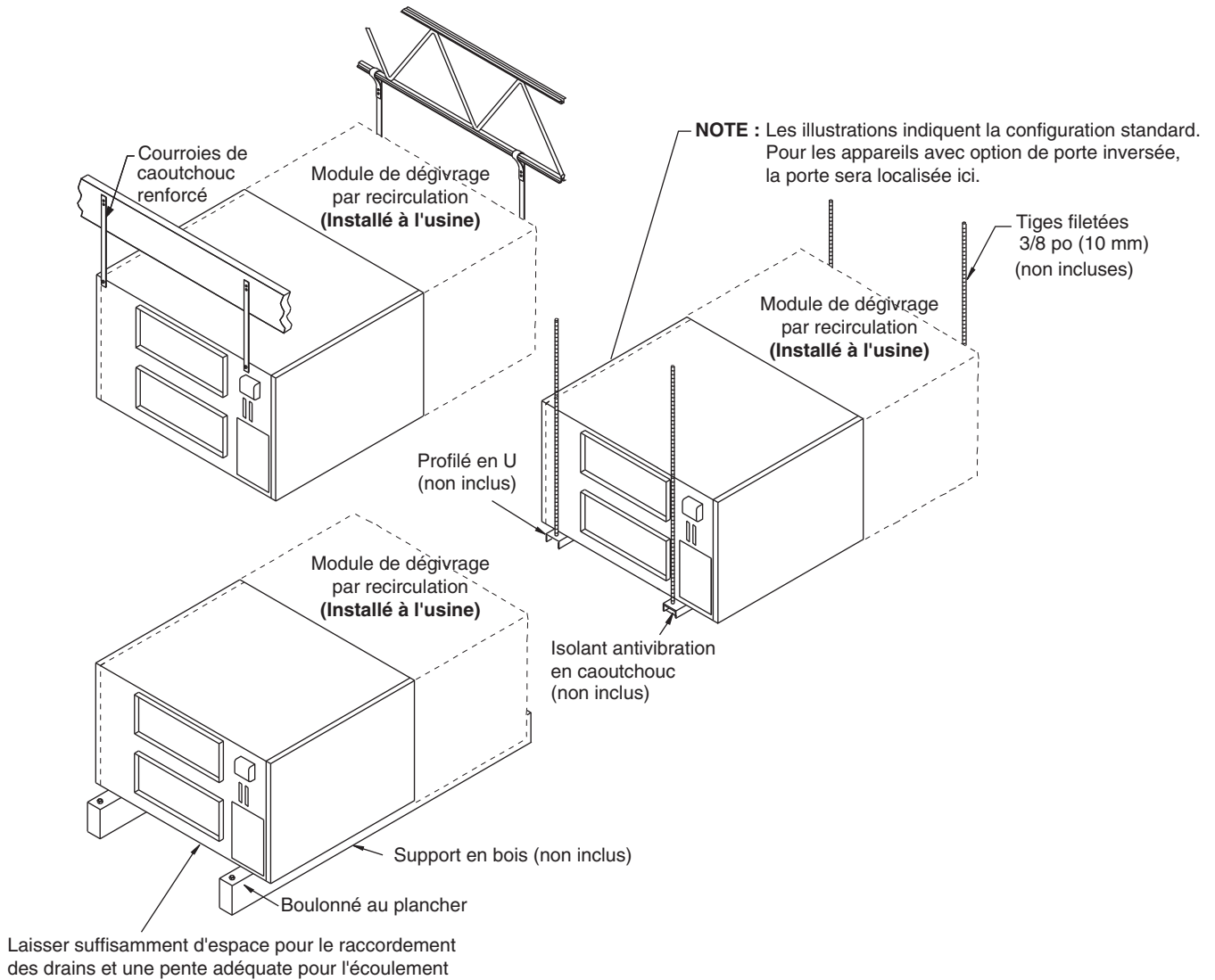
Réf.	N° de pièce	Description
⑦	13036	Kit de penture (mâle-femelle)
⑧	1604156	Noyau Poly CSA 7000
	1604190	Noyau Poly UL 7000 É.-U. seulement
⑨	1607456	Raccord de drain 6LC, V6LC, 12LC, V12LC, 7000 (unité)
⑩	134147	Filtre SWF 18,6 po x 15,6 po x 1 po 7000 Aspiration air vicié (unité)
⑪	134145	Filtre SWF 19 po x 22,75 po x 1 po 7000 Aspiration d'air frais (unité)
*	1608701	Filtre optionnel MERV 7, 7000 Aspiration d'air frais (unité)
*	1804103P	Ensemble de porte 7000 (option anticorrosion)
*	027123	Coussinet anti-vibration 7000 (unité)
*	63344	Kit de courroies 18 po 6LC, V6LC, 12LC, V12LC, 7000

\* Non illustré.

# Annexe A

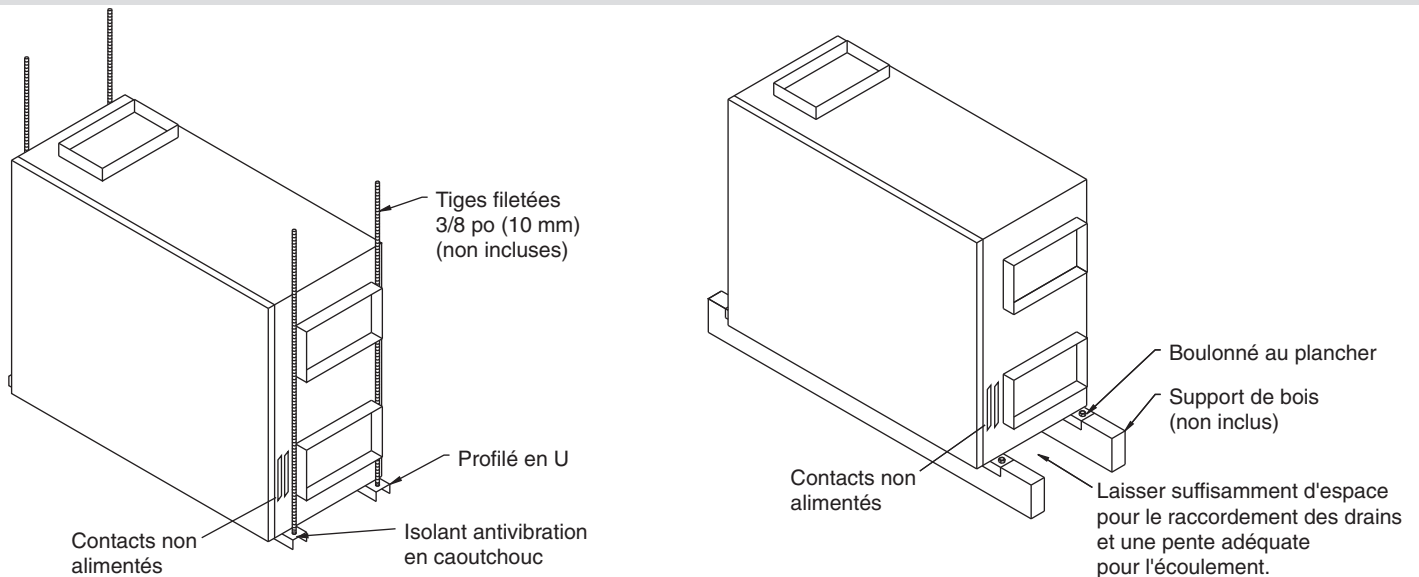
## SCHÉMAS DE MONTAGE

### APPAREILS 6LC, V6LC, 12LC ET V12LC



VD0002F

### APPAREIL 7000



VD0003F

# Annexe B

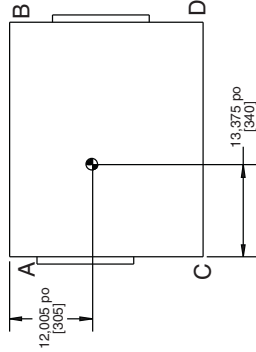
## DIMENSION DES APPAREILS

### B-1 : 6LC ET V6LC (SANS MODULE DE RECIRCULATION)

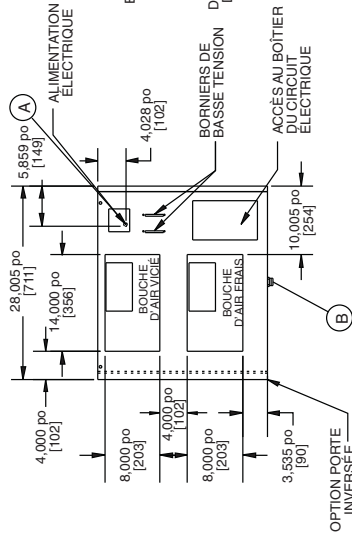
NOTES :  
 Les dimensions entre [ ] sont en millimètres.  
 ● Centre de gravité.  
 ➔ Sens du débit de l'air.

6 LC NOYAU POLY		6 LC NOYAU ALUMINIUM		6 LC NOYAU VRE HM	
PTS	LB	Kg	PTS	LB	Kg
A	38,49	17,45	A	44,21	20,00
B	24,96	11,32	B	28,67	13,00
C	51,29	23,26	C	58,92	26,72
D	33,28	15,08	D	38,21	17,30
TOTAL	148,00	67,13	TOTAL	170,00	77,11

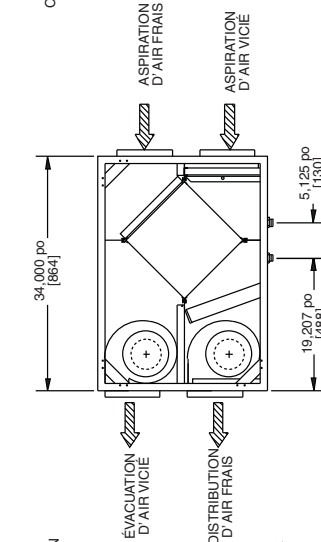
TABLEAU DES BRANCHEMENTS	
①	FORMAT
①	Capuchon de connexion de calibre 14
②	Raccord pour drain de condensation (2x) 3/4 po NPT



DESSUS

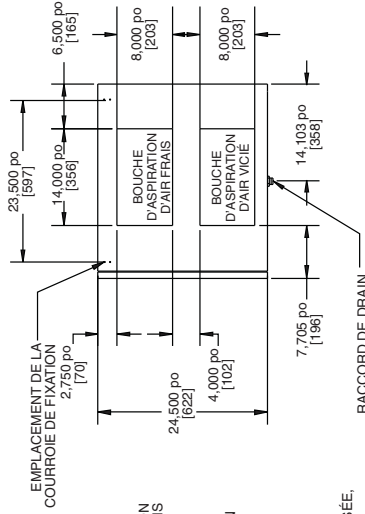


CÔTÉ GAUCHE



AVANT

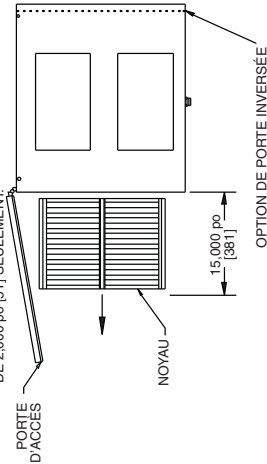
NOTE : POUR LES APPAREILS MUNIS DE L'OPTION DE PORTE INVERSEE, LES PIÈCES INTÉRIEURES APPARAÎTRONT À L'INVERSE DU DESSIN CI-DESSUS (IMAGE MIROIR).



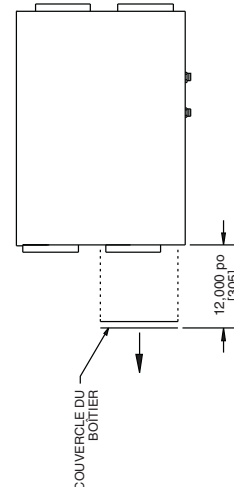
CÔTÉ DROIT

NOTE : CE MODÈLE EST MUNI D'UN VOLET SITUÉ SUR LE RACCORD À LA BOUCHE D'ASPIRATION D'AIR FRAIS. CE VOLET SE FERME DURANT LE CYCLE DE DÉGIVRAGE OU LORSQUE LA COMMANDE DE L'APPAREIL EST EN POSITION FERMÉE (OFF). TOUT EN DEMEURANT BRANCHÉ, CE VOLET N'EST PAS CONÇU POUR ANNULER TOUT RETOUR D'AIR FRAIS; IL DEMEURERA OUVERT SI L'APPAREIL EST DÉBRANCHÉ POUR QUELQUE RAISON QUE CE SOIT.

UN DÉGAGEMENT MINIMUM DE 15,000 po [381] EST REQUIS POUR RETIRER LES NOYAUX DE RÉCUPÉRATION, LES VENTILATEURS, ETC. LE DÉGAGEMENT REQUIS POUR RETIRER LA PORTE D'ACCÈS DU CABINET EST DE 2,000 po [51] SEULEMENT.



OPTION DE PORTE INVERSEE



VK0104F

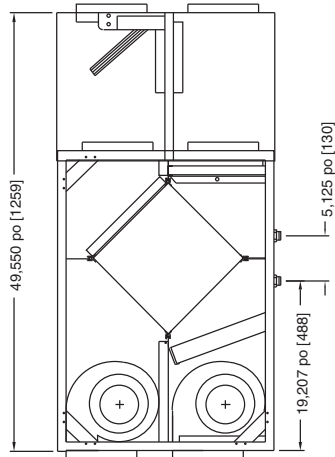
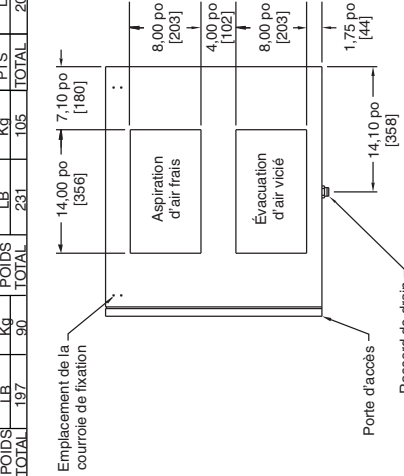
# Annexe B (suite)

## DIMENSION DES APPAREILS

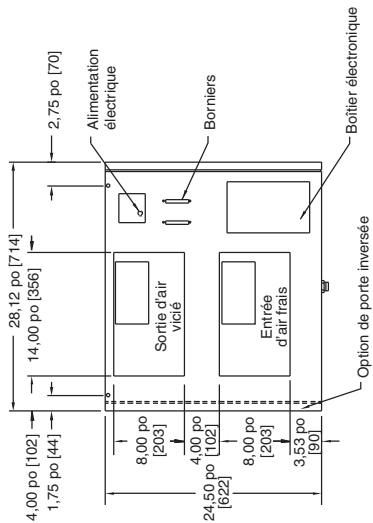
### B-2 : 6LC ET V6LC AVEC MODULE DE RECIRCULATION (INSTALLÉ EN USINE)

NOTE : Les dimensions entre [ ] sont en millimètres.

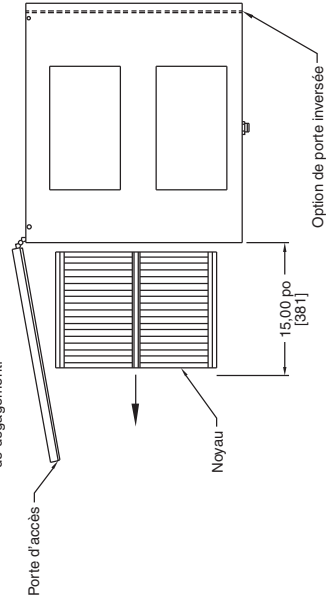
6 LC NOYAU POLY avec module recirc.		6 LC NOYAU ALUMINIUM avec module recirc.		6 LC NOYAU VRE HM avec module recirc.	
POIDS LB	Kg	POIDS LB	Kg	PTS LB	Kg
TOTAL 197	90	TOTAL 231	105	TOTAL 206	95



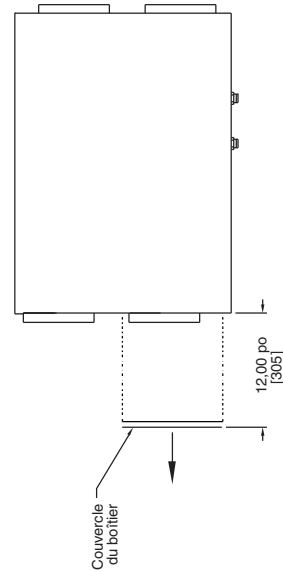
NOTE :  
Pour les appareils munis de l'option de porte inversée, les pièces intérieures apparaîtront à l'inverse du dessin ci-dessus (image miroir).



Un dégagement minimum de 15,00 po [381] est requis pour retirer les noyaux de récupération de chaleur, les ventilateurs, etc. La porte d'accès peut être retirée du cabinet avec seulement 2,00 po [51] de dégagement.



Un dégagement minimum de 12,00 po [305] est requis pour retirer le boîtier électronique.



VK0105F

# Annexe B (suite)

## DIMENSION DES APPAREILS

### B-3 : 12LC ET V12LC (SANS MODULE DE RECIRCULATION)

**NOTES :**

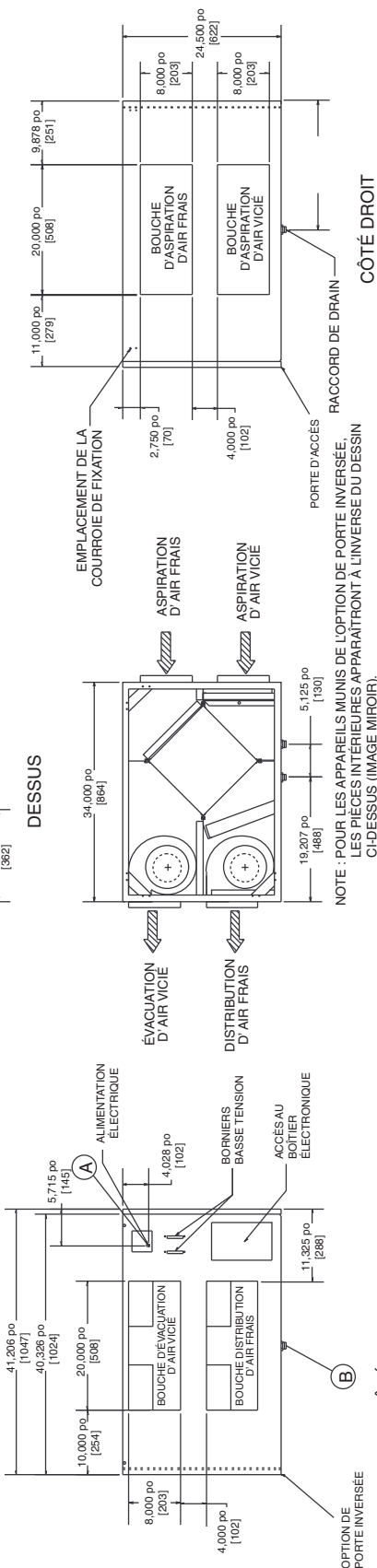
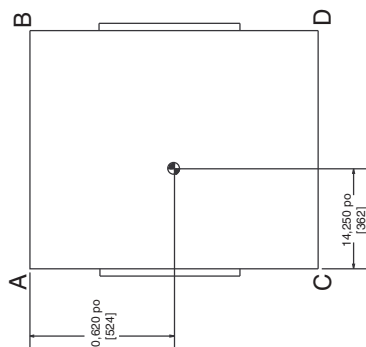
Les dimensions entre [ ] sont en millimètres

● Centre de gravité

➔ Sens du débit de l'air

12 LC NOYAU POLY		12 LC NOYAU ALUMINIUM		12 LC NOYAU VIRE HM	
PTS	LB	Kg	PTS	Kg	LB
A	54.02	24.50	A	60.41	27.40
B	38.98	17.68	B	43.59	19.77
C	54.02	24.50	C	60.41	27.40
D	38.98	17.68	D	43.59	19.77
TOTAL	186.00	84.36	TOTAL	208.00	94.34
					199.12
					92.41

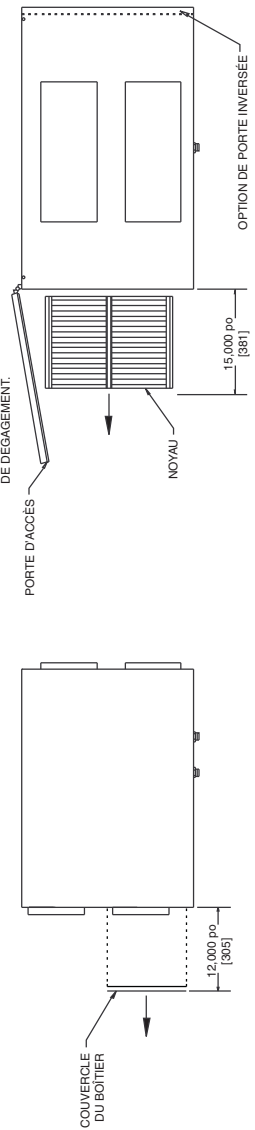
TABLEAU DES BRANCHEMENTS	
FORMAT	
(A)	CAPUCHON DE CONNEXION DE CALIBRE 14
(B)	RACCORD POUR DRAIN (2X)
	3/4 po. NPT



**NOTE :** CE MODÈLE EST MUNI D'UN VOILET SITUÉ SUR LE RACCORD À LA BOUCHE D'ASPIRATION D'AIR FRAIS. CE VOILET SE FERME DURANT LE CYCLE DE DÉGIVRAGE OU LORSQUE LA COMMANDE DE L'APPAREIL EST EN POSITION FERMÉE (OFF). TOUT EN DEMEURANT BRANCHÉ, CE VOILET N'EST PAS CONÇU POUR ANNULER TOUT RETOUR D'AIR FRAIS; IL DEMEURERA OUVERT SI L'APPAREIL EST DÉBRANCHÉ POUR QUELQUE RAISON QUE CE SOIT.

UN DÉGAGEMENT MINIMUM DE 12,000 po [305] EST REQUIS POUR RETIRER LE BÔTIER ÉLECTRONIQUE.

UN DÉGAGEMENT MINIMUM DE 15,000 po [381] EST REQUIS POUR RETIRER LES NOYAUX DE RÉCUPÉRATION, LES VENTILATEURS, ETC. LA PORTE D'ACCÈS PEUT ÊTRE RETIRÉE DU CABINET AVEC SEULEMENT 2,000 po [51] DE DÉGAGEMENT.



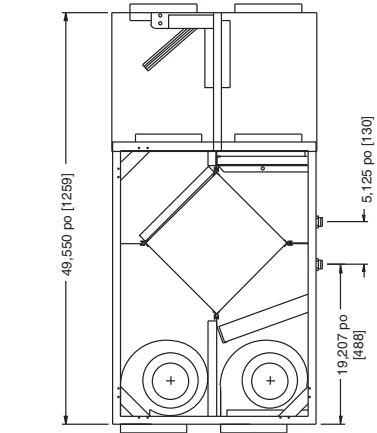
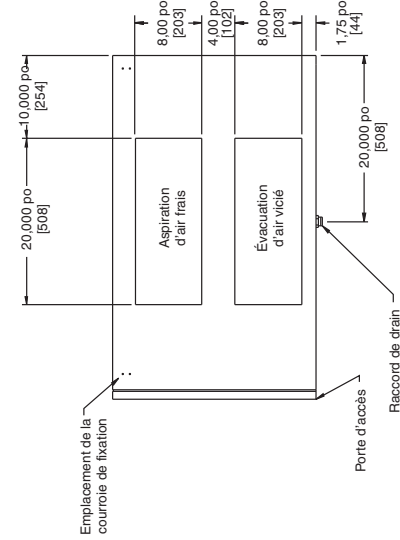
# Annexe B (suite)

## DIMENSION DES APPAREILS

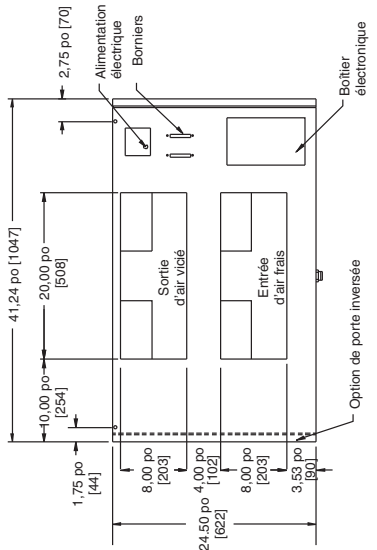
### B-4 : 12LC ET V12LC AVEC MODULE DE RECIRCULATION (INSTALLÉ EN USINE)

NOTE : Les dimensions entre [ ] sont en millimètres.

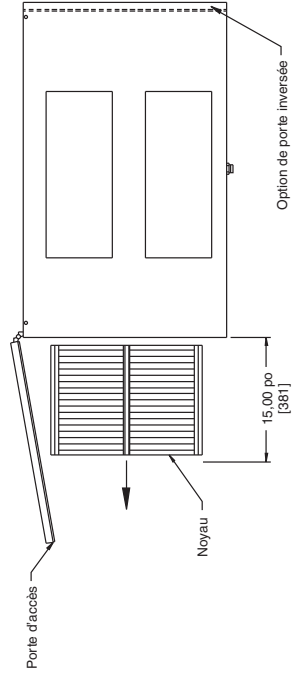
12 LC NOYAU POLY avec module recirc.		12 LC NOYAU ALU avec module recirc.		12 LC NOYAU VRE HM avec module recirc.	
POIDS LB	KG	POIDS LB	KG	POIDS LB	KG
247	112	269	122	TOTAL	280



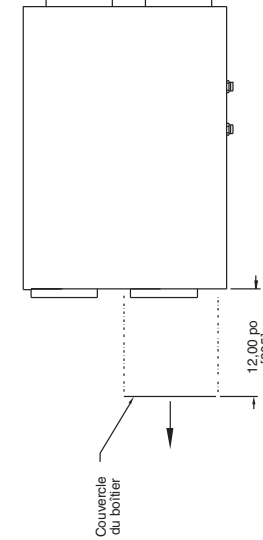
NOTE :  
Pour les appareils munis de l'option de porte inversée, les pièces intérieures apparaîtront à l'inverse du dessin ci-dessus (image miroir).



Un dégagement minimum de 15,00 po [381] est requis pour retirer les noyaux de récupération, les ventilateurs, etc.  
La porte d'accès peut être retirée du cabinet avec seulement 2,00 po [51] de dégagement.



Un dégagement minimum de 12,00 po [305] est requis pour retirer le boîtier électronique.



# Annexe B (suite)

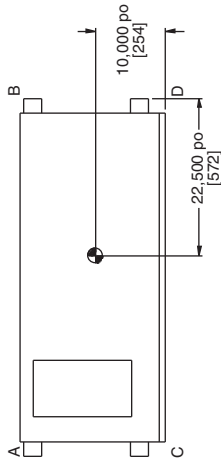
## DIMENSIONS DES APPAREILS

B-5 : 7000

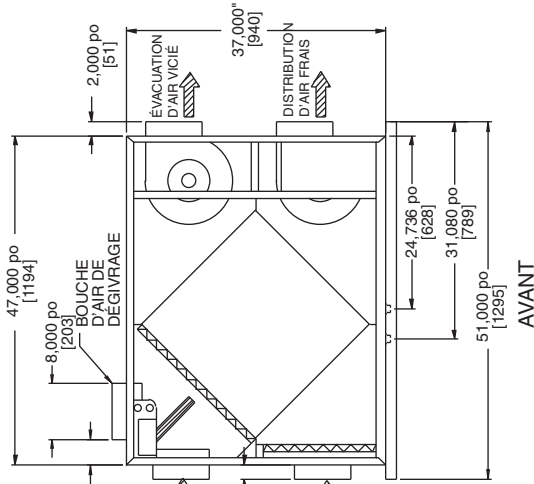
**NOTES :**  
 Les dimensions entre [ ] sont en millimètres.  
 Centre de gravité.  
 Sens du débit de l'air.

7000	
PTS	LB
A	32,74
B	68,46
C	35,20
D	73,60
TOTAL	210,00

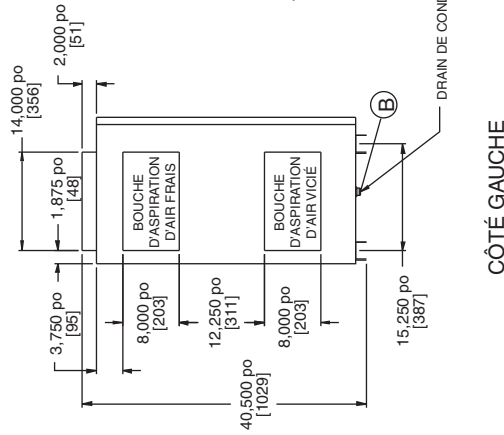
TABLEAU DES BRANCHEMENTS	
FORMATS	
(A)	Capuchon de connexion de calibre 14
(B)	Raccord pour drain de condensation (2x) 3/4 po NPT



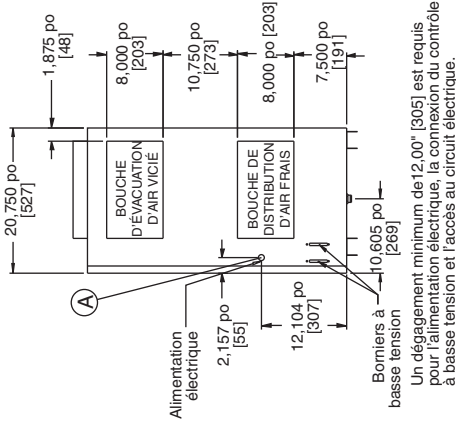
DESSUS



AVANT

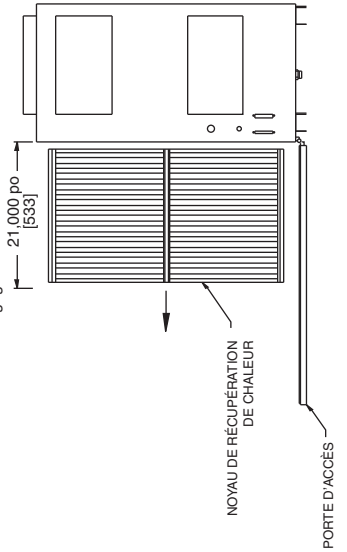


CÔTÉ GAUCHE



CÔTÉ DROIT

Un dégagement minimum de 21,00 po [533] est requis pour retirer les noyaux de récupération, les ventilateurs, etc.  
 La porte d'accès peut être retirée du cabinet avec seulement 2,00 po [51] de dégagement.

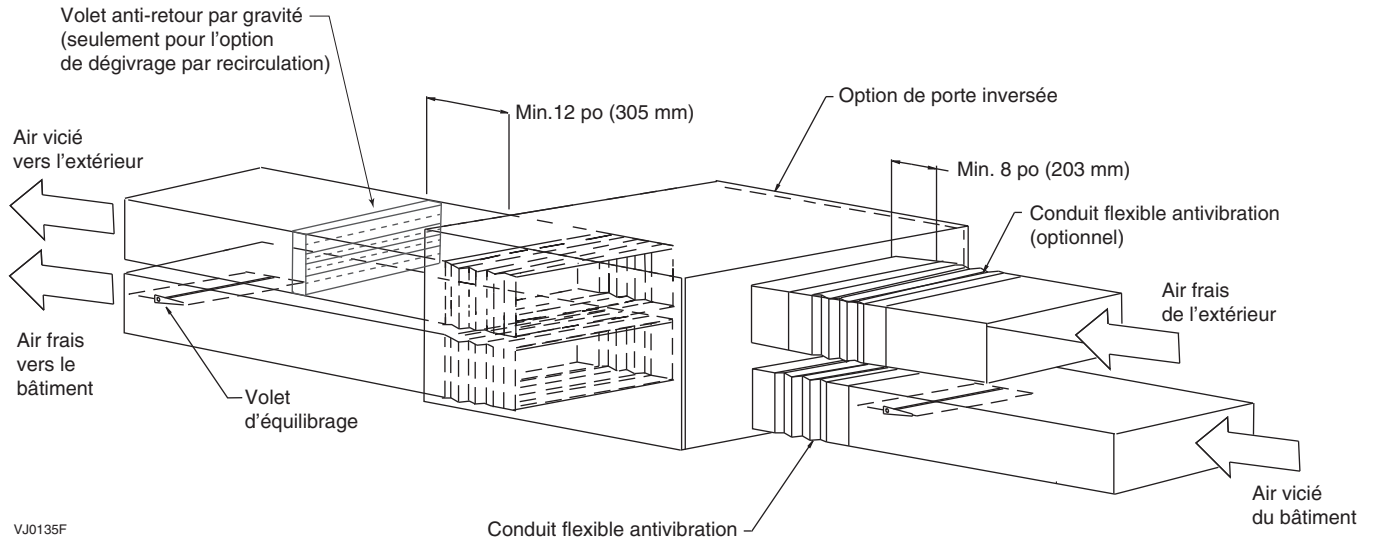




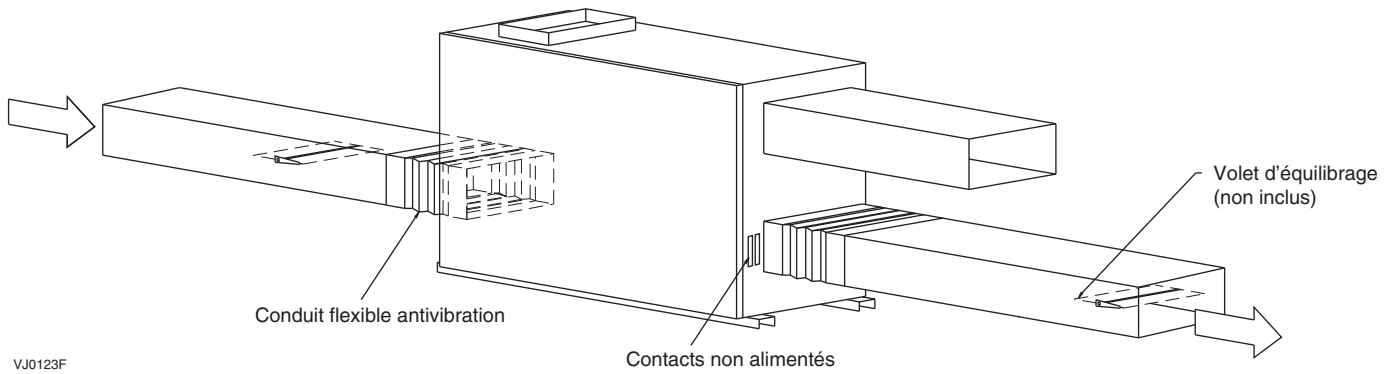
# Annexe C

## POSITION DES VOILETS D'ÉQUILIBRAGE

6LC, V6LC, 12LC ET V12LC

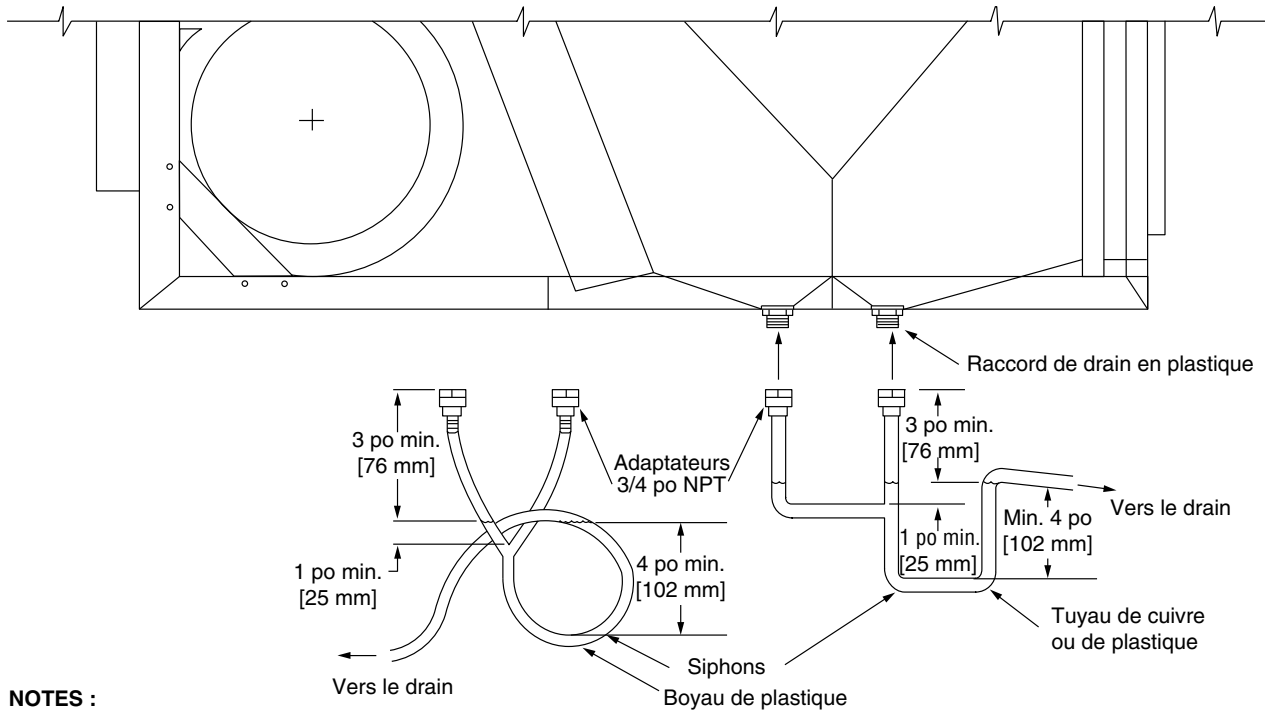


## 7000



# Annexe D

## RACCORDS DE DRAIN 6LC, V6LC, 12LC ET V12LC

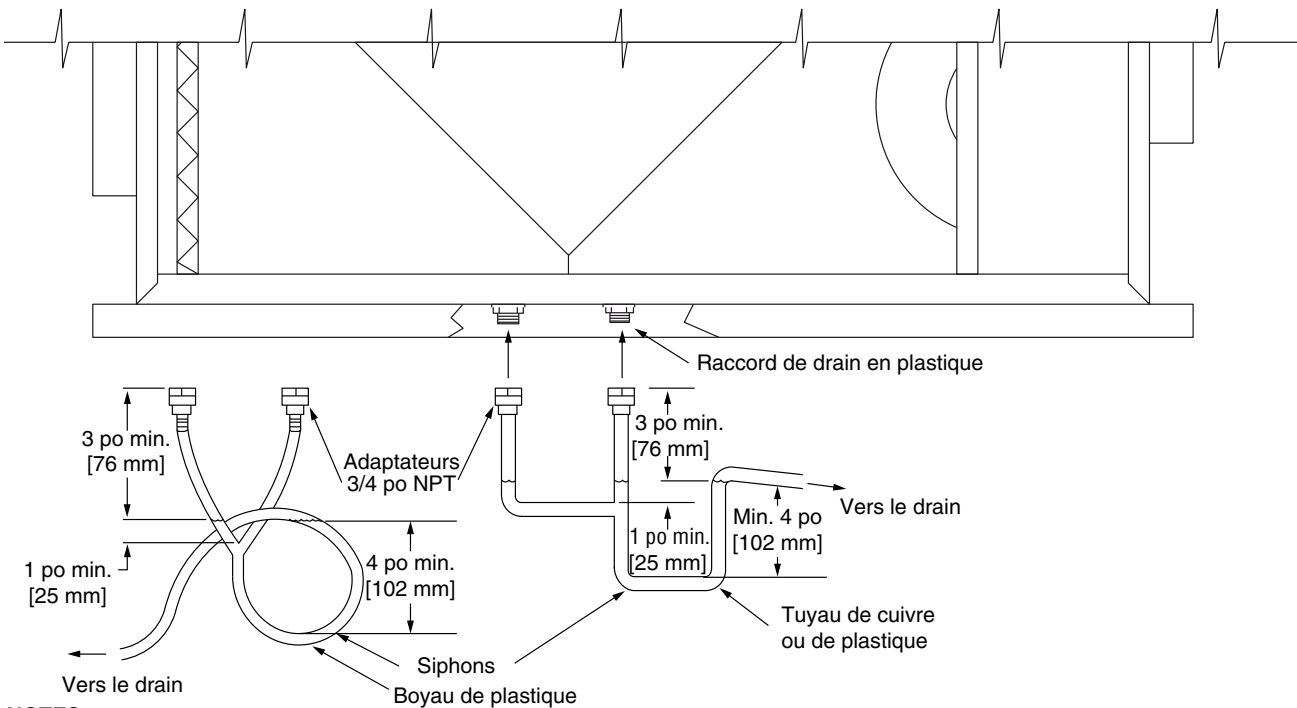


**NOTES :**

1. Aucun boyau, tuyau et adaptateurs ne sont fournis avec l'appareil.
2. La pente pour le boyau de drainage doit être d'au moins 1/4 po par pied.

VO0002F

## 7000



**NOTES :**

1. Aucun boyau, tuyau et adaptateurs ne sont fournis avec l'appareil.
2. La pente pour le boyau de drainage doit être d'au moins 1/4 po par pied.

VO0001F

# Annexe E

## SCHÉMAS DES BORNES DE COMMANDE

### E-1 : ÉTIQUETTES DES BORNES

L'appareil est muni d'une interface pour le raccordement basse tension à une commande. Les connexions des fils de la commande basse tension se trouvent sur deux borniers adjacents au ventilateur d'évacuation d'air vicié (ou adjacent au ventilateur de distribution d'air frais pour l'appareil 7000). Tout les fils installés sur place doivent être de classe II, basse tension.

#### COMMANDE MURALE

La commande murale optionnelle requiert un fil 4 brins de calibre 24 LVT (ou équivalent). Cette commande murale fonctionne avec 12 VCD.

#### COMMANDES BASSE TENSION

Toutes les autres bornes sont des contacts non-alimentés.

Les bornes basse tension consistent en :

#### COMMANDE MURALE

Fil 4 brins de calibre minimal 24 LVT

#### MARCHE-ARRÊT

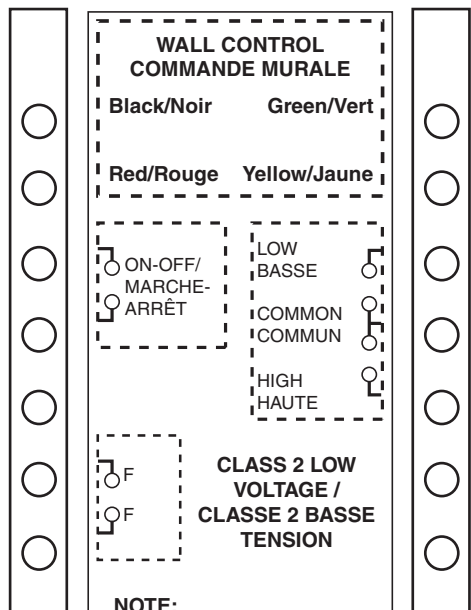
24 VCA, nécessite un contact non-alimenté. Peut être utilisé, par exemple, pour une minuterie ou un capteur de présence.

#### BASSE - COMMUN - HAUTE

Le commutateur à 3 positions nécessite un interrupteur unipolaire à double travée (UPDT)

#### CONTACT D'ENCLÈCHEMENT DU VENTILATEUR (FF)

Le contact non-alimenté se ferme en mode ventilation ou dégivrage. Utilisé pour contrôler un ventilateur externe.



#### NOTE:

Use of 24 VAC circuit requires isolating contacts (ex. thermostat) to prevent interconnection of Class 2 outputs.

L'utilisation d'un circuit 24 VCA nécessite des contacts isolés (ex. thermostat) pour éviter l'interconnexion des sorties de Classe 2.

### E-2 : RACCORDEMENT DES COMMANDES

Deux types de commandes murales sont offerts :

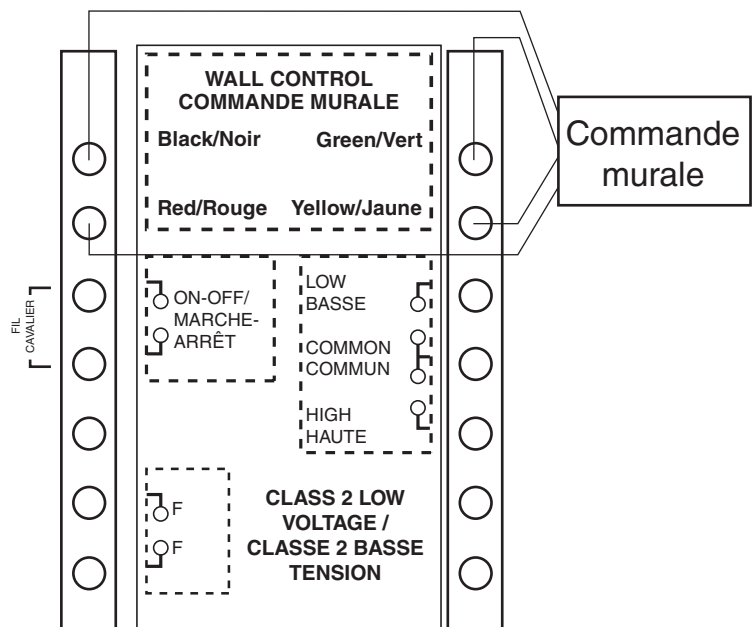
1. Commande murale à glissière avec interrupteur de ventilateur et commande de déshumidistat (pour les appareils 6LC, V6LC, 12LC et V12LC).
2. Commande murale Pool Plus avec sélecteur du mode de ventilation, commande de déshumidistat et mode recirculation en haute vitesse (pour appareil 7000).

Les commandes murales fonctionnent avec le contrôle électronique à microprocesseur à l'intérieur de l'appareil pour régler les séquences de ventilation. Les commandes murales possèdent leurs caractéristiques propres et nécessitent toutes un fil de 4 brins pour leur connexion à l'appareil tel qu'il est indiqué plus bas.

Sans commande murale, les ventilateurs peuvent être contrôlés par un interrupteur tel qu'il est illustré à l'annexe E-4.

#### NOTE

Lorsqu'une commande murale est utilisée, ne jamais se servir des bornes LOW, COMMON et HIGH.



#### NOTE:

Use of 24 VAC circuit requires isolating contacts (ex. thermostat) to prevent interconnection of Class 2 outputs.

L'utilisation d'un circuit 24 VCA nécessite des contacts isolés (ex. thermostat) pour éviter l'interconnexion des sorties de Classe 2.

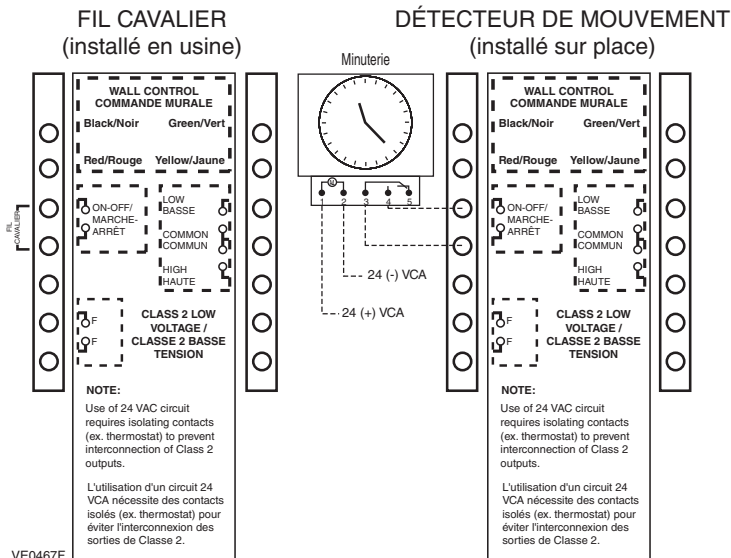
# Annexe E (suite)

## SCHÉMAS DES BORNES DE COMMANDE

### E-3: RACCORDEMENT MINUTERIE/CAPTEUR MODE OCCUPÉ, INOCCUPÉ (NON VENDU PAR VENMAR OU VÄNÉE)

Le raccordement de ce dispositif s'obtient en effectuant la connexion à l'interface telle qu'elle est indiquée plus bas. Ces borniers requièrent un contact non alimenté qui peut provenir de plusieurs types de commandes telles que minuterie, détecteur de lumière, détecteur de mouvement, système de gestion de bâtiment, ou autre. **L'appareil ne fonctionnera que si ces contacts sont fermés!!**

L'illustration ci-dessous représente un fil cavalier installé en usine et une minuterie programmable optionnelle (vendue par d'autres).

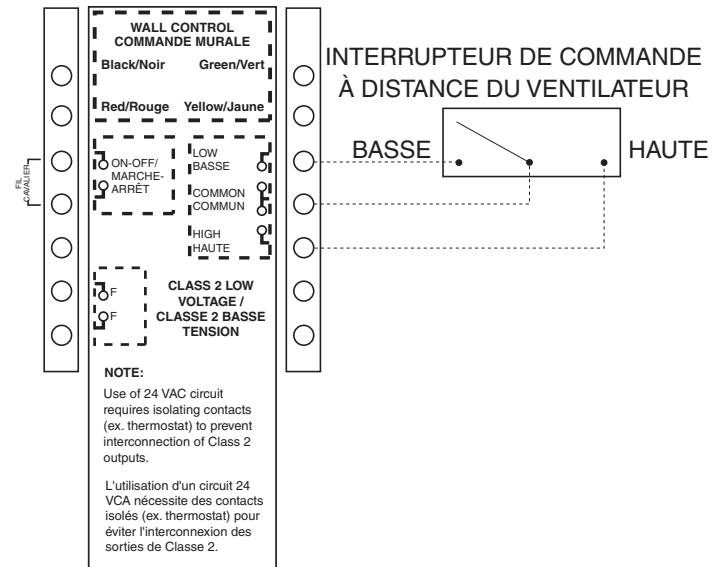


### E-4: COMMANDE À DISTANCE DU VENTILATEUR

On obtient la commande à distance du ventilateur en effectuant la connexion des contacts non-alimentés aux bornes identifiées : LOW - COM - HIGH.

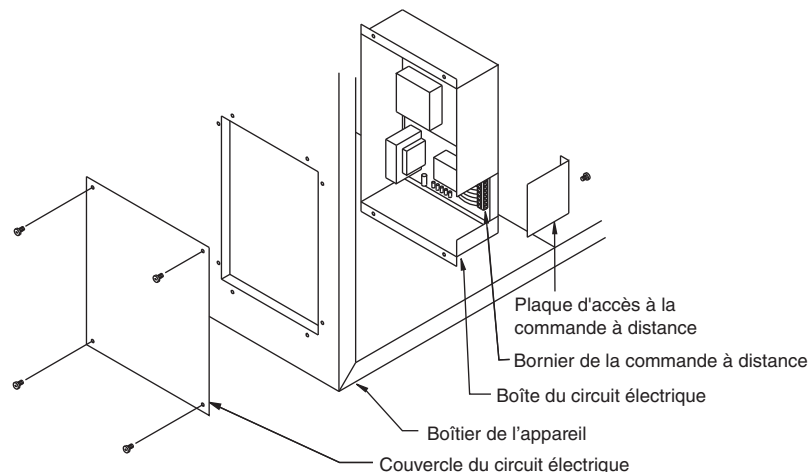
Ces commandes peuvent être : interrupteur unipolaire à double travée (UPDT), déshumidistat, détecteur de CO<sub>2</sub>, détecteur de lumière, minuterie, système de gestion de bâtiment, etc., vendus par d'autres.

L'illustration ci-dessous représente un interrupteur connecté à l'appareil.



# Annexe F

## ACCÈS AU CIRCUIT ÉLECTRIQUE 6LC, V6LC, 12LC ET V12LC



VE0001F

# Annexe G

## BESOINS EN CHAUFFAGE D'APPOINT

### 6LC, V6LC ET 7000

Appareils 6LC, V6LC et 7000		Temp. ext. -40 °F (-40 °C)		Temp. ext. -22 °F (-30 °C)		Temp. ext. -4 °F (-20 °C)		Temp. ext. 14 °F (-10 °C)		Temp. ext. 32 °F (0 °C)		
		Température désirée		Température désirée		Température désirée		Température désirée		Température désirée		
Air frais (pi³/min)	Air frais (L/s)	55 °F (13 °C)	68 °F (20 °C)	55 °F (13 °C)	68 °F (20 °C)	55 °F (13 °C)	68 °F (20 °C)	55 °F (13 °C)	68 °F (20 °C)	55 °F (13 °C)	68 °F (20 °C)	73 °F (23 °C)
700	330	7,4	10,4	5,6	8,6	3,9	6,8	2,1	5,1	0,3	3,3	4,4
650	307	6,6	9,4	5,0	7,8	3,4	6,2	1,8	4,6	0,2	3,0	4,0
600	283	5,9	8,5	4,5	7,0	3,0	5,6	1,6	4,1	0,1	2,7	3,7
550	259	5,2	7,6	3,9	6,3	2,6	5,0	1,3	3,7	0,1	2,4	3,3
500	236	4,0	6,1	3,0	5,1	1,9	4,0	0,9	3,0	-	1,9	2,7
450	212	3,0	4,9	2,1	4,0	1,3	3,2	0,4	2,3	-	1,5	2,2
400	189	2,2	3,9	1,5	3,2	0,9	2,5	0,2	1,9	-	1,2	1,8

### 12LC ET V12LC

Appareils 12LC et V12LC		Temp. ext. -40 °F (-40 °C)		Temp. ext. -22 °F (-30 °C)		Temp. ext. -4 °F (-20 °C)		Temp. ext. 14 °F (-10 °C)		Temp. ext. 32 °F (0 °C)		
		Température désirée		Température désirée		Température désirée		Température désirée		Température désirée		
Air frais (pi³/min)	Air frais (L/s)	55 °F (13 °C)	68 °F (20 °C)	55 °F (13 °C)	68 °F (20 °C)	55 °F (13 °C)	68 °F (20 °C)	55 °F (13 °C)	68 °F (20 °C)	55 °F (13 °C)	68 °F (20 °C)	73 °F (23 °C)
1250	590	14,6	19,9	11,2	16,5	7,8	13,1	4,4	9,7	1,0	6,3	8,4
1200	566	13,5	18,6	10,4	15,5	7,2	12,3	4,0	9,1	0,8	5,9	7,9
1150	542	12,6	17,4	9,6	14,5	6,6	11,5	3,6	8,5	0,7	5,5	7,4
1100	519	11,2	15,9	8,5	13,2	5,8	10,5	3,1	7,7	0,4	5,0	6,8
1050	495	10,7	15,2	8,1	12,6	5,5	10,0	2,9	7,4	0,4	4,8	6,5
1000	472	9,9	14,1	7,4	11,7	5,0	9,3	2,6	6,9	0,2	4,4	6,1
900	425	8,5	12,4	6,4	10,2	4,3	8,1	2,2	6,0	0,1	3,9	5,4
800	377	7,0	10,4	5,2	8,6	3,4	6,8	1,7	5,0	-	3,3	4,6
700	330	5,1	8,1	3,7	6,7	2,3	5,3	0,9	3,9	-	2,5	3,7

Même si les modèles 6LC, V6LC, 7000, 12LC et V12LC ont de bons rendements, la température de l'air distribué peut être plus basse que celle de l'air ambiant. Il est possible de régler ce problème d'inconfort relié à la différence de température en installant un chauffe-conduit électrique. Ce faisant, vous adoucirez l'air avant sa distribution dans l'immeuble. Les tableaux ci-dessous permettent d'évaluer les besoins en chauffage d'appoint selon différents degrés de température et les débits.

NOTE :

Les données ne tiennent pas compte de la perte d'efficacité en raison du givre.

Elles sont basées sur une densité de l'air standard à : 1,2 Kg/m³ et Cp = 1,0 KJ/Kg °C

13,35 lb/pi³ et Cp = 0,24 Btu/lbm °F

# Annexe H

## SCHÉMAS ÉLECTRIQUES

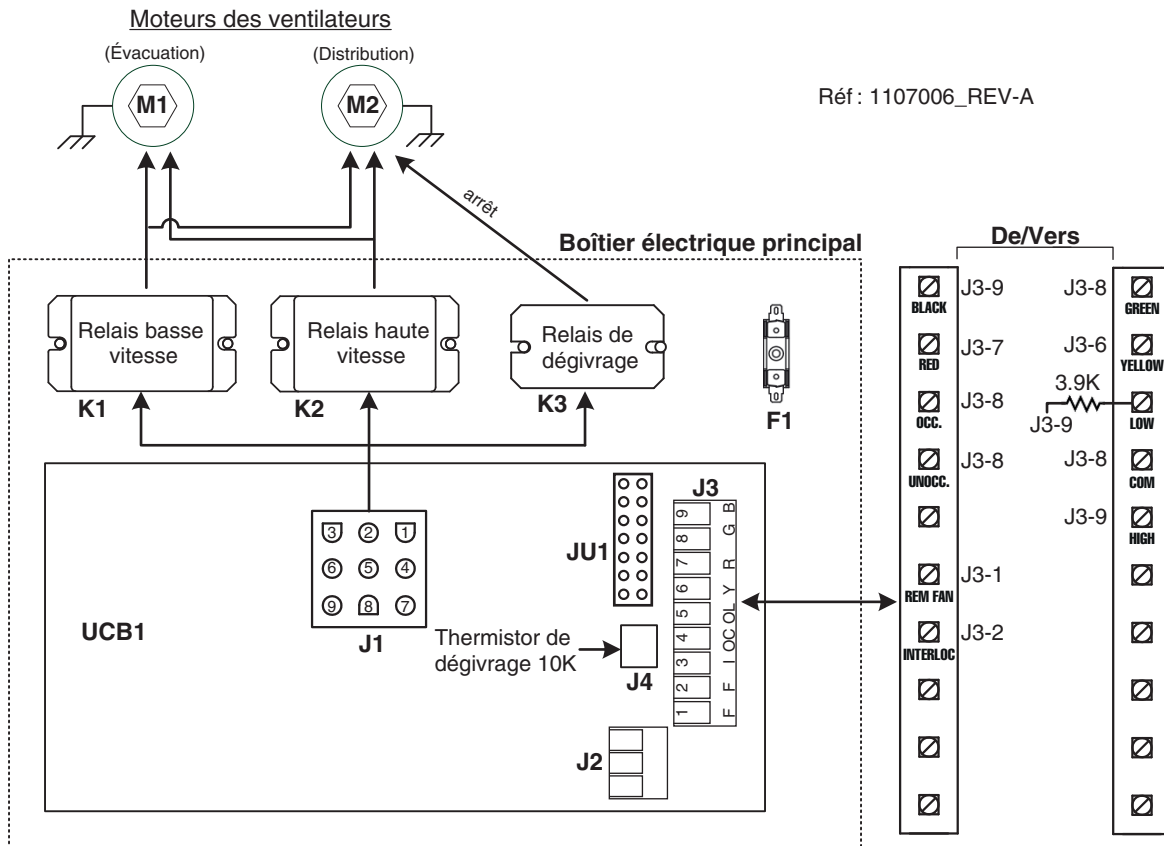
### ⚠ AVERTISSEMENT

Danger d'électrocution. Avant d'effectuer les travaux d'entretien ou de réparation, toujours couper l'alimentation électrique à l'appareil.

- Cet appareil est muni d'une protection contre les surcharges (fusible). Un fusible brûlé indique une surcharge ou un court-circuit. Si le fusible brûle, couper l'alimentation électrique à l'appareil. Cesser de l'utiliser et communiquer avec le soutien technique.

6LC, V6LC, 12LC et V12LC - Dégivrage par évacuation - Basse vitesse normale

## SCHÉMA DU SYSTÈME



PIÈCE	POSITION	RÉGLAGE
JU1	A	OFF
	B	OFF
	C	OFF
	D	ON
	E	ON
	F	ON
	G	ON

PIÈCE	DESCRIPTION
K1	Relais DPST 120 VCA, 1 HP, 30 A @ 120 VCA
K2	Relais DPST 120 VCA, 1 HP, 30 A @ 120 VCA
K3	Relais UPDT 120 VCA, 1 HP, 30 A @ 120 VCA
F1	Fusible à action rapide 5 A et support de fusible
UCB1	Carte électronique

VE0460F



# Annexe H (suite)

## SCHÉMAS ÉLECTRIQUES

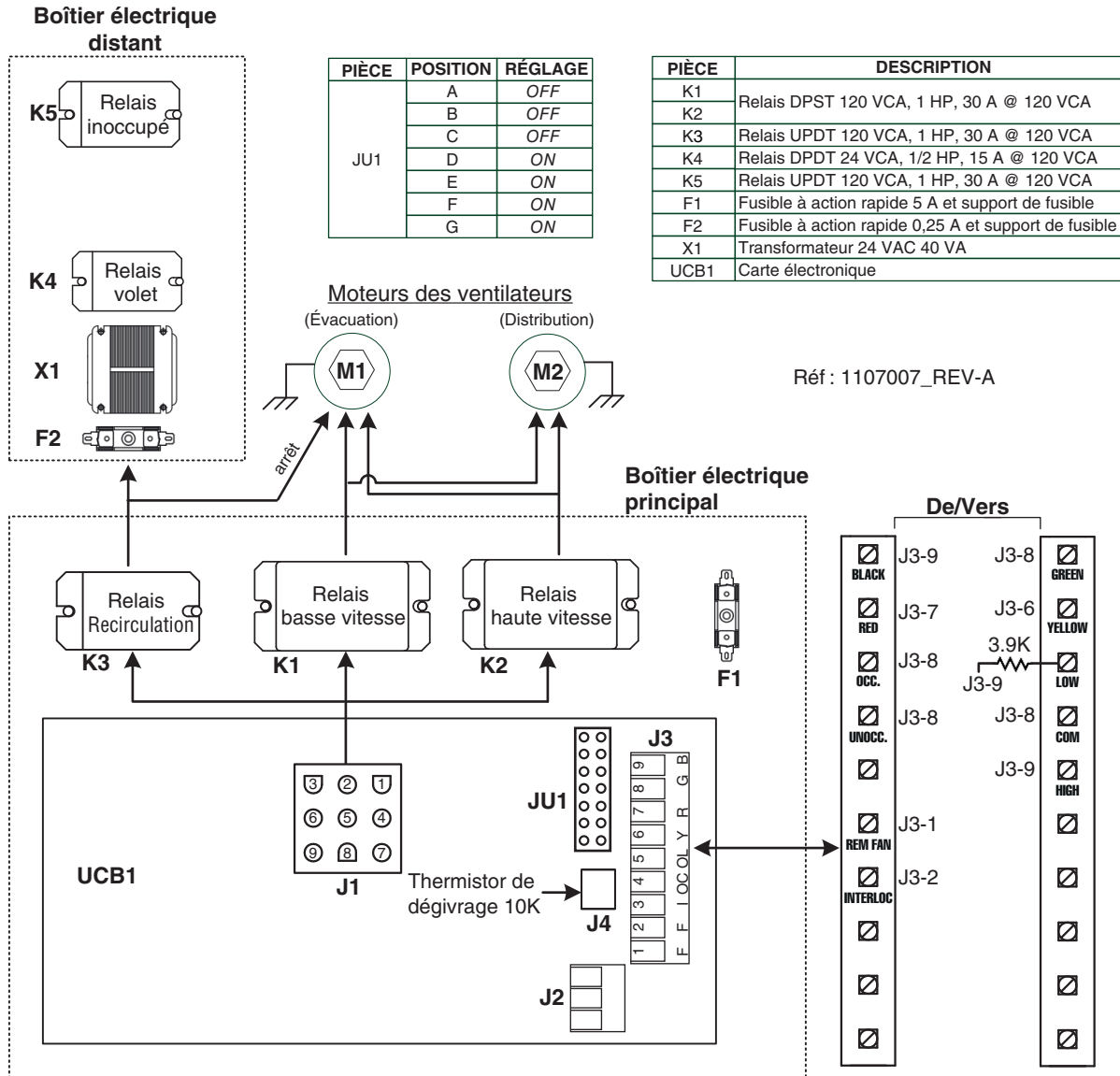
### ⚠ AVERTISSEMENT

Danger d'électrocution. Avant d'effectuer les travaux d'entretien ou de réparation, toujours couper l'alimentation électrique à l'appareil.

- Cet appareil est muni d'une protection contre les surcharges (fusible). Un fusible brûlé indique une surcharge ou un court-circuit. Si le fusible brûle, couper l'alimentation électrique à l'appareil. Cesser de l'utiliser et communiquer avec le soutien technique.

6LC, V6LC, 12LC et V12LC - Dégivrage par recirculation - Basse vitesse normale

## SCHÉMA DU SYSTÈME



VE0462F



# Annexe H (suite)

## SCHÉMAS ÉLECTRIQUES

### ⚠ AVERTISSEMENT

Danger d'électrocution. Avant d'effectuer les travaux d'entretien ou de réparation, toujours couper l'alimentation électrique à l'appareil.

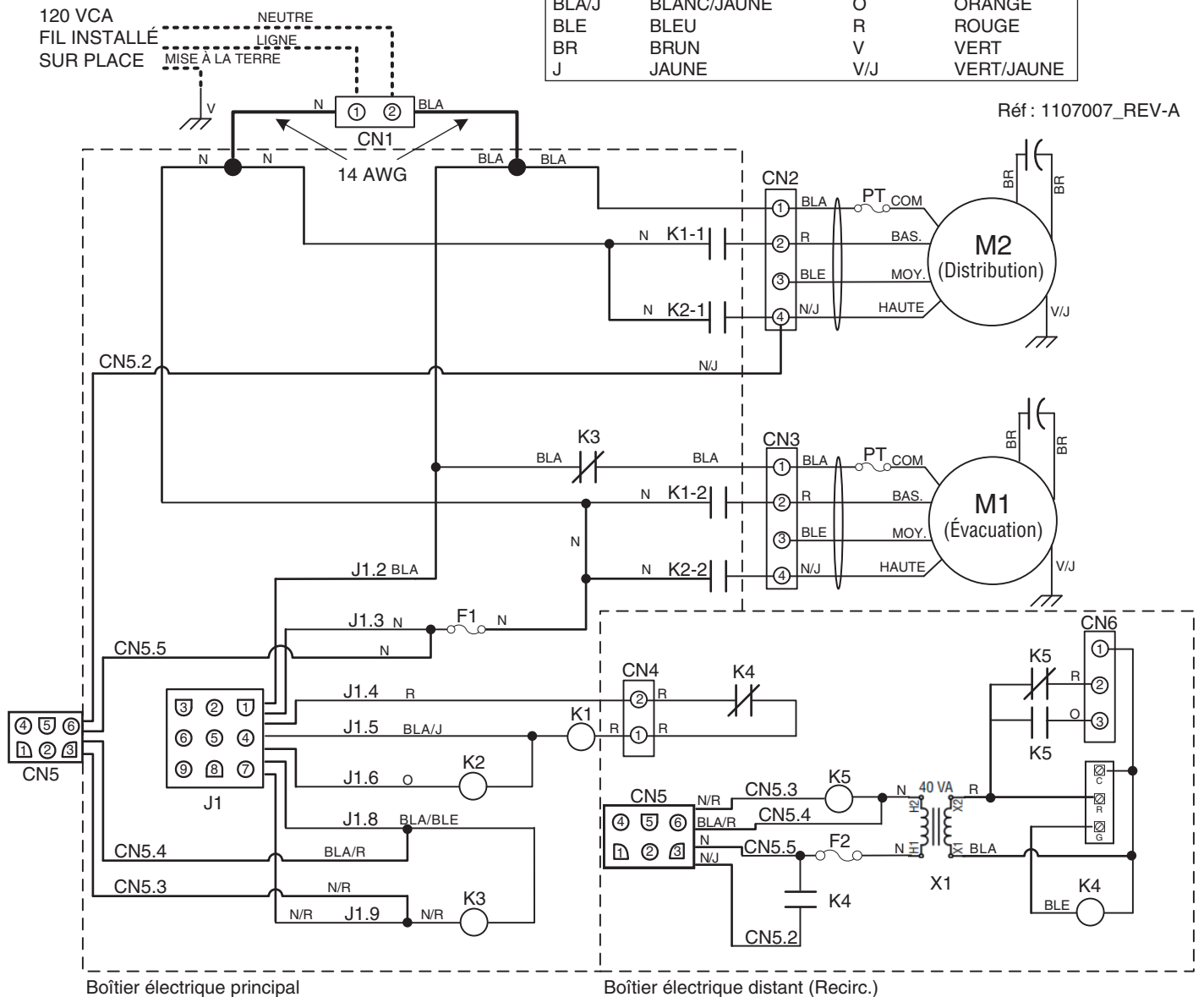
- Cet appareil est muni d'une protection contre les surcharges (fusible). Un fusible brûlé indique une surcharge ou un court-circuit. Si le fusible brûle, couper l'alimentation électrique à l'appareil. Cesser de l'utiliser et communiquer avec le soutien technique.

6LC, V6LC, 12LC et V12LC - Dégivrage par recirculation - Basse vitesse normale (suite)

## SCHÉMA LOGIQUE

### CODE DE COULEUR DES FILS

BLA	BLANC	N	NOIR
BLA/BLE	BLANC/BLEU	N/R	NOIR/ROUGE
BLA/R	BLANC/ROUGE	N/J	NOIR/JAUNE
BLA/J	BLANC/JAUNE	O	ORANGE
BLE	BLEU	R	ROUGE
BR	BRUN	V	VERT
J	JAUNE	V/J	VERT/JAUNE



# Annexe H (suite)

## SCHÉMAS ÉLECTRIQUES

### ⚠ AVERTISSEMENT

Danger d'électrocution. Avant d'effectuer les travaux d'entretien ou de réparation, toujours couper l'alimentation électrique à l'appareil.

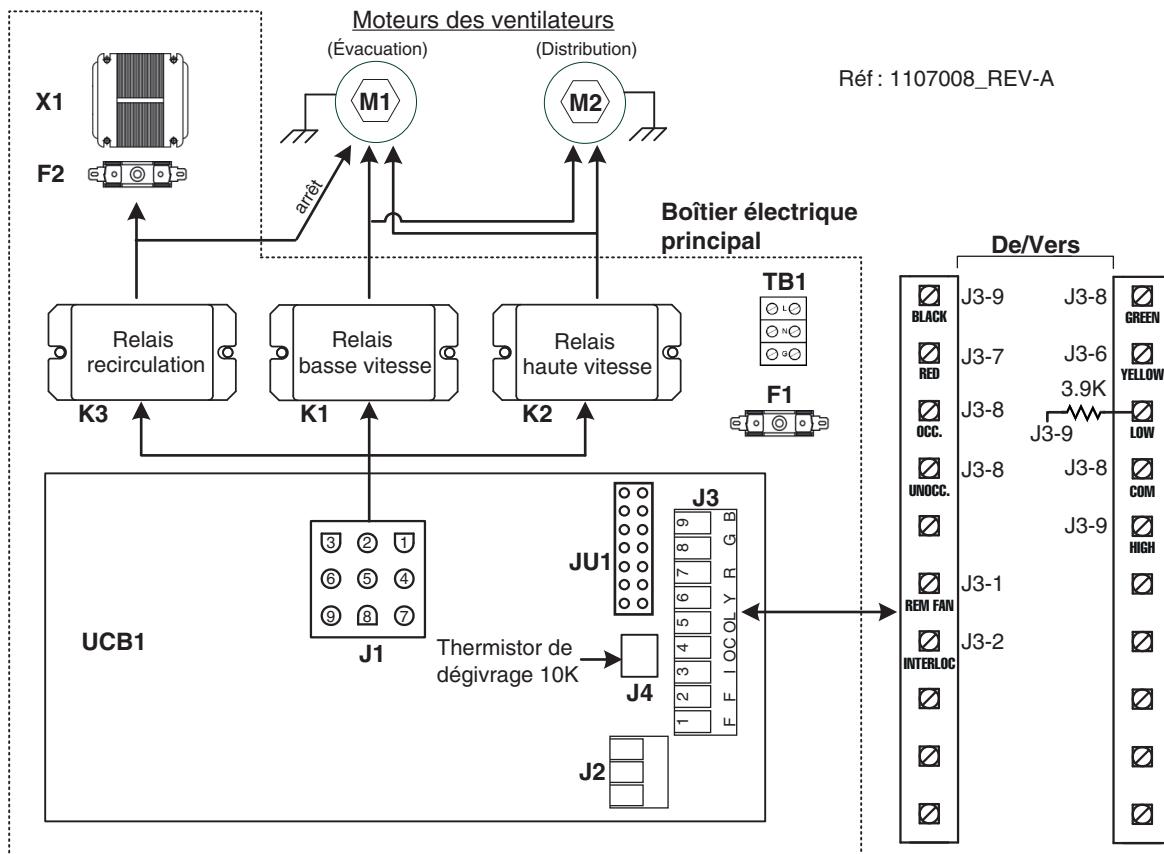
- Cet appareil est muni d'une protection contre les surcharges (fusible). Un fusible brûlé indique une surcharge ou un court-circuit. Si le fusible brûle, couper l'alimentation électrique à l'appareil. Cesser de l'utiliser et communiquer avec le soutien technique.

7000 - Dégivrage par recirculation

## SCHÉMA DU SYSTÈME

PIÈCE	POSITION	RÉGLAGE
JU1	A	ON
	B	OFF
	C	OFF
	D	ON
	E	ON
	F	ON
	G	ON

ITEM	DESCRIPTION
K1	
K2	Relais DPST 120 VCA, 1 HP, 30 A @ 120 VCA
K3	Relais DPDT 24 VCA, 1/2 HP, 15 A @ 120 VCA
TB1	Bornier de tension de secteur (120 VCA)
F1	Fusible à action rapide 5 A et support de fusible
F2	Fusible à action rapide 0,5 A et support de fusible
X1	Transformateur 24 VAC 40 VA
UCB1	Carte électronique



VE0464F

# Annexe H (suite)

## SCHÉMAS ÉLECTRIQUES

### ⚠ AVERTISSEMENT

Danger d'électrocution. Avant d'effectuer les travaux d'entretien ou de réparation, toujours couper l'alimentation électrique à l'appareil.

- Cet appareil est muni d'une protection contre les surcharges (fusible). Un fusible brûlé indique une surcharge ou un court-circuit. Si le fusible brûle, couper l'alimentation électrique à l'appareil. Cesser de l'utiliser et communiquer avec le soutien technique.

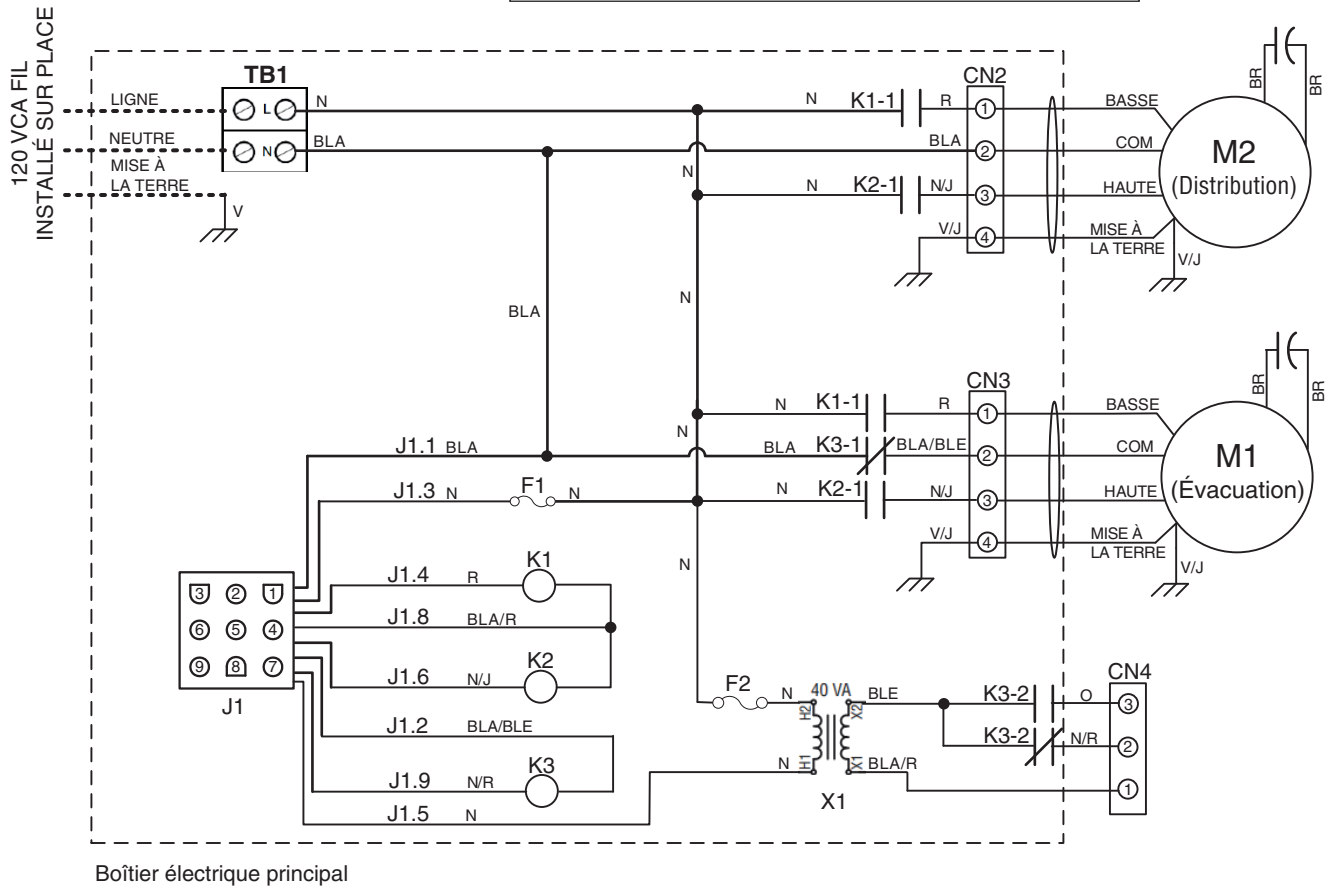
7000 - Dégivrage par recirculation (suite)

### SCHÉMA LOGIQUE

#### CODE DE COULEUR DES FILS

BLA	BLANC	N	NOIR
BLA/BLE	BLANC/BLEU	N/R	NOIR/ROUGE
BLA/R	BLANC/ROUGE	N/J	NOIR/JAUNE
BLA/J	BLANC/JAUNE	O	ORANGE
BLE	BLEU	R	ROUGE
BR	BRUN	V	VERT
J	JAUNE	V/J	VERT/JAUNE

Réf : 1107008\_REV-A



VE0465F

# GARANTIE

Votre appareil de ventilation de type commercial léger est un produit de grande qualité, fabriqué et emballé avec soin. Le fabricant garantit au consommateur, acheteur initial de ses produits, que ceux-ci sont exempts de tout défaut de fabrication pour la période citée plus bas et ce, à partir de la date d'achat originale.

La garantie de tous les appareils 6LC, 7000 et 12 LC couvre les pièces seulement contre toute défectuosité pouvant nuire à son fonctionnement. Elle est d'une durée de deux (2) ans. Sous réserve d'avoir effectué l'entretien du noyau tel qu'il est mentionné dans le guide d'installation, le noyau de récupération de chaleur (VRC) possède une garantie de quinze (15) ans. Si un fonctionnement inadéquat devait se produire, veuillez vous référer au guide de l'utilisateur. Si le problème persiste, la marche à suivre est la suivante :

## MARCHE À SUIVRE

Si l'appareil s'avérait défectueux, veuillez communiquer immédiatement avec votre entrepreneur en ventilation (voir son adresse sur la page couverture ou en dernière page de votre guide d'installation). Il déterminera la source du mauvais fonctionnement et effectuera le remplacement ou la réparation, s'il y a lieu. Si jamais il devenait impossible de le joindre, téléphonez (en Amérique du Nord) au 1 800 567-3855 où notre personnel se fera un plaisir de vous transmettre le numéro de téléphone du distributeur ou du centre de service le plus près de chez vous.

## PIÈCES DE REMPLACEMENT ET SERVICE

Pour assurer le bon fonctionnement de votre appareil, vous devez toujours utiliser des pièces d'origine provenant de Venmar Ventilation ULC (pour les appareils Venmar) ou de vänEE (pour les appareils vänEE). Les pièces d'origine de Venmar Ventilation ULC et de vänEE sont spécialement conçues pour satisfaire toutes les normes de certification de sécurité applicables. Leur remplacement par des pièces ne provenant pas de Venmar Ventilation ULC ou de vänEE pourrait ne pas assurer la sécurité de l'appareil, entraîner une réduction sévère des performances ainsi qu'un risque de défaillance prématurée. Venmar Ventilation ULC et vänEE recommande également de toujours vous référer à une entreprise de services compétente et reconnue par Venmar Ventilation ULC et vänEE pour vos pièces de remplacement et appel de service.

## FACTURE

Aucune réparation ou aucun remplacement ne sera couvert par la garantie sans la copie de la facture originale d'achat. Prenez soin de bien la conserver.

## FRAIS DIVERS

Les frais de main-d'œuvre relatifs au retrait de la pièce défectueuse et/ou à l'installation de la pièce conforme ne seront, en aucun cas, couverts par Venmar Ventilation ULC et vänEE.

## CONDITIONS ET LIMITES

Ces appareils sont conçus pour **usage résidentiel et commercial** seulement et doivent être utilisés dans un bâtiment tel que décrit ci-dessous :

**Bâtiment :** Toute construction utilisée ou destinée à être utilisée pour abriter ou recevoir des personnes, des animaux ou des choses.

**Usage résidentiel :** Habitation, logement, suite : Bâtiment, ou partie de bâtiment, servant ou destiné à servir de domicile à une ou plusieurs personnes et qui comporte généralement des installations sanitaires et des installations pour préparer et consommer des repas et pour dormir. Local constitué d'une seule pièce ou d'un groupe de pièces complémentaires et occupé par un locataire ou propriétaire; comprend les logements, les chambres individuelles des motels, hôtels, maisons de chambres, dortoirs et pensions de famille, de même que les magasins et les établissements d'affaires constitués d'une seule pièce dans une habitation.

**Usage commercial :** Établissement agricole, commercial, de réunion, de soins ou de détention : Bâtiment ou partie de bâtiment qui ne contient pas d'habitation, situé sur un terrain consacré à l'agriculture ou à l'élevage et utilisé essentiellement pour abriter des équipements ou des animaux, ou pour la production, le stockage ou le traitement de produits agricoles ou horticoles ou l'alimentation des animaux. Bâtiment, ou partie de bâtiment, utilisé pour l'étalage ou la vente de marchandises ou de denrées au détail ou utilisé pour la conduite des affaires ou la prestation de services professionnels ou personnels. Bâtiment, ou partie de bâtiment, utilisé par des personnes rassemblées pour se livrer à des activités civiques, politiques, touristiques, religieuses, mondaines, éducatives, récréatives ou similaires, ou pour consommer des aliments ou des boissons. Bâtiment, ou partie de bâtiment, abritant des personnes qui, à cause de leur état physique ou mental, nécessitent des soins ou des traitements médicaux, ou des personnes qui, à cause de mesures de sécurité hors de leur contrôle, ne peuvent se mettre à l'abri en cas de danger.

**Usage industriel :** Bâtiment, ou partie de bâtiment, utilisé pour l'assemblage, la fabrication, la confection, le traitement, la réparation ou le stockage de produits, de matières ou de matériaux dont le contenu est combustible et qu'il contient des matières très combustibles, inflammables ou explosives en quantité suffisante pour constituer un risque particulier d'incendie.

La garantie ci-dessus s'appliquera dans tous les cas où les dommages ne seront pas le résultat d'une installation inadéquate, d'un usage inapproprié, d'abus ou de négligence, de cas fortuit ou de toute autre circonstance hors du contrôle de Venmar Ventilation ULC et de vänEE. De plus, Venmar Ventilation ULC et vänEE ne sera pas tenue responsable des blessures ou dommages à la propriété personnelle ou immobilière causés directement ou indirectement par l'appareil de ventilation commercial léger. Cette garantie annule toutes les garanties précédentes.