

WALL BRACKET INSTALLATION SHEET

NOTE: THIS WALL BRACKET IS COMPATIBLE ONLY WITH VÄNÉE VIGÖR AND VENMAR KUBIX UNITS.

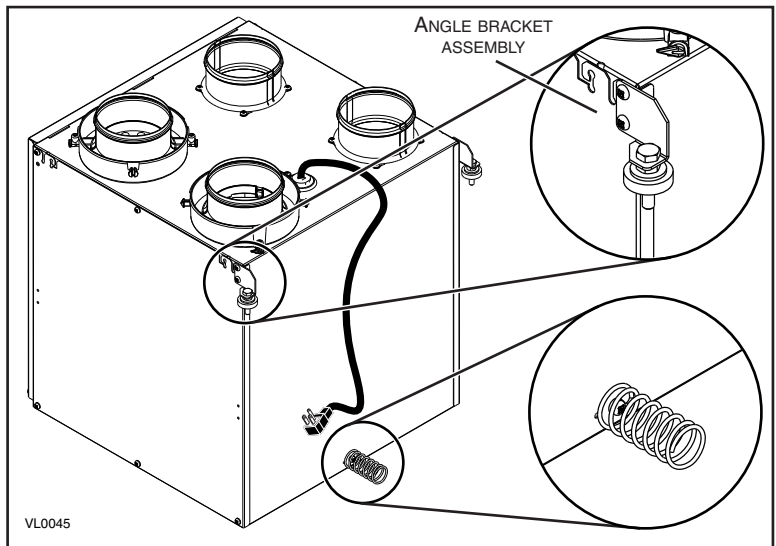
⚠ WARNING

- **WHEN PERFORMING INSTALLATION, IT IS RECOMMENDED TO WEAR SAFETY GLASSES AND GLOVES.**
- **WHEN CUTTING OR DRILLING INTO WALL, DO NOT DAMAGE ELECTRICAL WIRING AND OTHER HIDDEN UTILITIES.**

- ❶ USING A PHILIPPS OR ROBERTSON SCREWDRIVER AND 4 NO. 8 x 3/8" SCREWS (INCLUDED), SECURE THE ANGLE BRACKET ASSEMBLY TO THE UNIT REAR UPPER SIDES (AS ILLUSTRATED AT RIGHT).

NOTE: THE ANGLE BRACKET ASSEMBLY SHOULD BE ORIENTED TOWARDS THE OUTSIDE OF THE UNIT. MAKE SURE NOT TO REVERSE THEM.

- ❷ USING A PHILIPPS OR ROBERTSON SCREWDRIVER AND 1 NO. 8 x 3/8" SCREW (INCLUDED), SECURE THE SPRING TO THE BACK OF THE UNIT (AS ILLUSTRATED AT RIGHT).



⚠ WARNING

THE WALL BRACKET MUST BE ATTACHED TO AT LEAST TWO WALL STUDS.

- ❸ LOCATE THE WALL STUDS. ONCE THE WALL STUDS LOCATION FOUND, MARK THEIR CENTER.

- ❹ IF DESIRED, CUT THE WALL BRACKET USING CUTTING PLIERS (IN THE SPECIALLY MADE GROOVES) TO THE SIZE REQUIRED DEPENDING ON THE LOCATION CHOSEN FOR THE UNIT INSTALLATION.

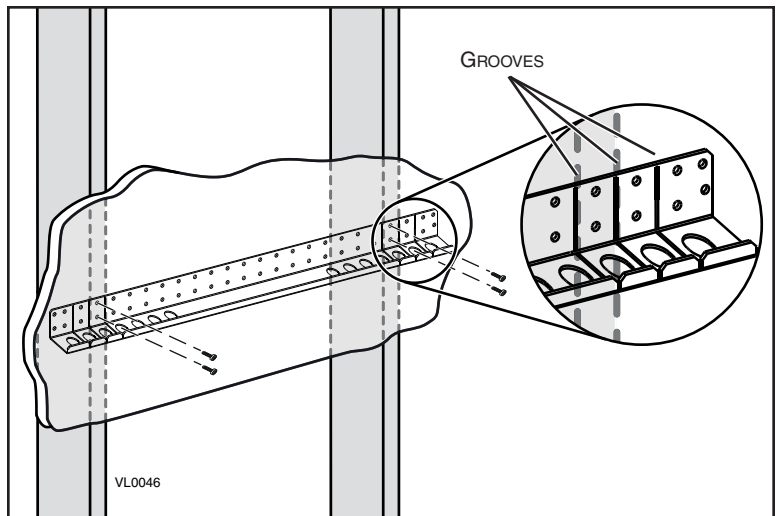
CAUTION

THE WALL BRACKET MUST BE LEVEL.

- ❺ USING A PHILIPPS OR ROBERTSON SCREWDRIVER AND 4 NO. 8 x 1 1/2" SCREWS (INCLUDED), SECURE THE BRACKET TO THE WALL.

NOTES: 1. MAKE SURE THE BRACKET IS INSTALLED IN SUCH A WAY THAT THE BOTTOM EDGE HOLES ARE IN DOWN POSITION (AS ILLUSTRATED AT RIGHT).

2. IT IS NOT MANDATORY TO INSTALL THE SCREWS AT THE ENDS OF THE BRACKET. USE FOUR OF THE AVAILABLE HOLES ENSURING THE BRACKET IS SECURED TO AT LEAST TWO WALL STUDS.



- ❻ LIFT UNIT AND ENGAGE EACH GROMMET IN THE WALL BRACKET BOTTOM EDGE HOLES. SLIDE A WASHER AND SECURE WITH A CAP NUT (INCLUDED) ON THE BOLT OF EACH ANGLE BRACKET ASSEMBLY TO ENSURE THE UNIT IS KEPT IN PLACE.

