

**vanEE 40E**

**Part no. 44262**

35 to 70 CFM (0.4 in. w.g.)



VB0215

**THE 40E: ENERGY RECOVERY IN A SMALL PACKAGE!**

The 40E is the ideal choice for condominiums, apartments and other limited space applications that require up to 70 cfm of continuous ventilation. With its compact size and 4-inch vertical ports, it can be installed in small spaces such as a closet or mechanical room above a hot water tank.

The 40E has just one blower (patent pending) and is therefore quieter than any other similar ERV on the market. ERV technology is a great choice for summer ventilation with air conditioning in humid climates, and for dry homes in colder climates. Read more about ERV and HRV technology at [www.venmar.ca](http://www.venmar.ca).

- At just 34 lb. (15.2 kg), it can be installed without opening the unit
- Features pressure taps, balancing dampers, integrated hooks and port straps to simplify installation
- Removable terminal block for quicker wall control connections

**REPAIRS AND MAINTENANCE**

All parts of the 40E that could need maintenance can be removed in less than five minutes, allowing direct access for easy repairs. The PSC motor is permanently lubricated.

**WARRANTY**

The 40E is protected by a 5-year warranty on parts only. The energy recovery core is covered by a 5-year warranty, with the original proof of purchase.

Available at:



**ENERGY RECOVERY VENTILATOR**

**Controls**

- This unit is very simple to operate. Once it is installed, press on its push button, located on the unit top left side, to select high speed, low speed or to stop it (the blower is off but will turn on in response to a wall control signal). The LED (located under the push button) will then show on which mode the unit is in.
- For more convenience, this unit can also be controlled by an optional main control. For a complete list of optional main and auxiliary controls available, refer to the **Wall Control Compatibility Chart** on last pages of wall controls specification sheet, available at [www.vanee.ca](http://www.vanee.ca).

For more details about controls, refer to their specification sheet and to the **Main and auxiliary wall control user guide** at [www.vanee.ca](http://www.vanee.ca).

**Options**

- Complete line of registers and diffusers
- Electric duct heater
- Exclusive wall mounting bracket no. 19255

**Defrosting System**

The 40E uses a recirculation defrost method, which maintains balanced air pressure in the home. If there is a call for ventilation from an auxiliary wall control during the defrost cycle, the defrost is put "on hold" while air is exchanged, ensuring that no humid air is recirculated.

| OUTSIDE TEMPERATURE |                | DEFROST CYCLE MIN./<br>OPERATING MIN. |
|---------------------|----------------|---------------------------------------|
| °C                  | °F             |                                       |
| WARMER THAN -5      | WARMER THAN 23 | NO DEFROST                            |
| -5 TO -27           | 23 TO -17      | 7/22                                  |
| -27 AND LESS        | -17 AND LESS   | 7/15                                  |

**Energy Recovery Core**

Dimensions: 10" x 10" x 5.5" (25.4 cm x 25.4 cm x 14 cm)

Exchange surface: 42.3 ft.<sup>2</sup> (3.9 m<sup>2</sup>)

Weight: 8 lb. (3.6 kg)

Material: Polymerized paper

Type: Cross flow

Warranty: 5 years

**Requirements and standards**

- Complies with the UL 1812 requirements regulating the installation of Energy Recovery Ventilators
- Complies with the CSA C22.2 no. 113 Standard applicable to ventilators
- Complies with CSA F326 requirements regulating the installation of Energy Recovery Ventilators
- Technical data was obtained from published results of tests relating to CSA C439 Standards
- HVI certified

## VENTILATION PERFORMANCE

| EXTERNAL STATIC PRESSURE |          | NET SUPPLY AIR FLOW |     |                   | GROSS AIR FLOW |     |                   |         |     |                   |
|--------------------------|----------|---------------------|-----|-------------------|----------------|-----|-------------------|---------|-----|-------------------|
| PA                       | IN. W.G. | L/S                 | CFM | M <sup>3</sup> /H | SUPPLY         |     |                   | EXHAUST |     |                   |
|                          |          | L/S                 | CFM | M <sup>3</sup> /H | L/S            | CFM | M <sup>3</sup> /H | L/S     | CFM | M <sup>3</sup> /H |
| 25                       | 0.1      | 39                  | 83  | 140               | 40             | 85  | 144               | 39      | 83  | 140               |
| 50                       | 0.2      | 37                  | 78  | 133               | 38             | 81  | 137               | 37      | 78  | 133               |
| 75                       | 0.3      | 35                  | 74  | 126               | 36             | 76  | 130               | 35      | 74  | 126               |
| 100                      | 0.4      | 33                  | 70  | 119               | 34             | 72  | 122               | 34      | 72  | 122               |
| 125                      | 0.5      | 32                  | 68  | 115               | 33             | 70  | 119               | 32      | 68  | 115               |
| 150                      | 0.6      | 29                  | 61  | 104               | 30             | 64  | 108               | 29      | 61  | 104               |
| 175                      | 0.7      | 28                  | 59  | 101               | 28             | 59  | 101               | 27      | 57  | 97                |
| 200                      | 0.8      | 26                  | 55  | 94                | 26             | 55  | 94                | 24      | 51  | 86                |

## ENERGY PERFORMANCE

| SUPPLY TEMPERATURE |     | NET AIR FLOW |     |                   | POWER CONSUMED WATTS | SENSIBLE RECOVERY EFFICIENCY | ADJUSTED SENSIBLE RECOVERY EFFICIENCY | APPARENT SENSIBLE EFFECTIVENESS*      | LATENT RECOVERY/MOISTURE TRANSFER |
|--------------------|-----|--------------|-----|-------------------|----------------------|------------------------------|---------------------------------------|---------------------------------------|-----------------------------------|
| °C                 | °F  | L/S          | CFM | M <sup>3</sup> /H |                      |                              |                                       |                                       |                                   |
| HEATING            |     |              |     |                   |                      |                              |                                       |                                       |                                   |
| 0                  | 32  | 17           | 36  | 60                | 37                   | 66                           | 74                                    | 77                                    | 0.57                              |
| 0                  | 32  | 30           | 64  | 109               | 55                   | 60                           | 65                                    | 69                                    | 0.47                              |
| -25                | -13 | 17           | 36  | 60                | 46                   | 56                           | 60                                    | 75                                    | 0.55                              |
| COOLING            |     |              |     |                   |                      |                              |                                       |                                       |                                   |
| 35                 | 95  | 17           | 36  | 60                | 36                   | TOTAL RECOVERY EFFICIENCY 45 |                                       | ADJUSTED TOTAL RECOVERY EFFICIENCY 51 |                                   |

\*Data not certified by HVI.

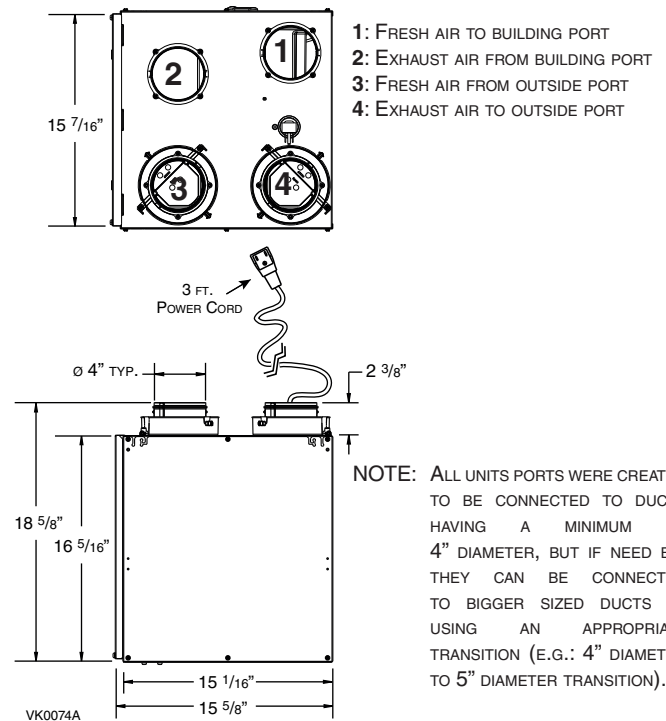
NOTE: All specifications are subject to change without notice.

## SPECIFICATIONS

- Model: 40E
- Part Number: 44262
- Total Assembled Weight (including polymerized paper core): 34 lb. (15.2 kg)
- Round 4" ports
- Core Filters: 2 washable foam filters, 30 ppi, 9.2" x 5.75" x 0.38" (23.4 cm x 16.6 cm x 1 cm)
- Housing: Pre-painted steel
- Insulation: Expanded polystyrene
- Mounting: Suspension by chains and spring or optional wall bracket
- Supply and Exhaust Blower Motor: 1 motor
  - Protection type: Thermally protected
  - Insulation class: B
- Speed Control on Unit:
  - Low speed and high speed
  - Other modes available with optional wall controls
- Energy Recovery Core:
  - Heat Exchange Surface Area: 42.3 ft.<sup>2</sup> (3.9 m<sup>2</sup>)
  - Type: Crossflow
  - Material: Polymerized paper
- Unit Electrical Characteristics:
 

| Volts | Frequency | Ampere | Watts |
|-------|-----------|--------|-------|
| 120   | 60 Hz     | 0.5    | 60    |

## DIMENSIONS: 40E



| Project:      | REMARKS |
|---------------|---------|
| Location:     |         |
| Part no.:     |         |
| Qty.:         |         |
| Submitted by: | Date:   |



Venmar Ventilation ULC, 550 Lemire Blvd., Drummondville, Québec, Canada J2C 7W9 vanee.ca 800-567-3855



40Ed211116